



HONDA
CB550K K1

PARTS LIST

© 1977 HONDA MOTOR CO., LTD.

HONDA

PARTS CATALOG

CB550K,K1,'76

550 Four

AMERICAN HONDA MOTOR CO., INC.

May 1994

Second Edition

© American Honda Motor Co., Inc. 1994

PRINTED IN USA

133740M

TABLE OF CONTENTS

	Grid	Page
How To Use This Catalog	A 2	iv
Serial Numbers	A 3	vi
Construction Of Vehicle Identification Number (V.I.N.) ..	A 3	vii
Color Tables	A 4	viii
Manuals	A 4	ix
Model ID Photos	A 5	x
Specifications	A 5	xi
Bulk Hose	A 7	xiv
Commonly Required Replacement Parts	A 8	xvi
Contents By Page No. Sequence	A 9	xviii
Contents In Alphabetical Order	A 9	1
Part Groups		
Engine Group	B 1	2
Frame Group	D 1	50
Index		
Part Number Index	H 1	140
Description Index	I 1	152

© American Honda Motor Co., Inc. 1994 iii

GRID

A1

HOW TO USE THIS CATALOG

This parts catalog is to be used when ordering replacement parts for the model (s) specified on the microfiche strip.

CATALOG PAGE BREAKDOWN

MODEL(S)	MODEL	MODEL	APPLICATION				A R E A C O D E	E N G I N E S E R I A L N U M B E R	Q T Y R E Q U I R E D	P A R T N U M B E R*	H O N D A C O D E
			1	1	1	1					
	9	9	9	9	9	9					
	8	8	8	8	8	8					
	4	5	6	7	4	5	6	7			
	4	5	6	7	4	5	6	7			

1. REF. NO. — Reference number corresponding with the reference numbers on the illustrations.

*All illustrations are representative only and do not necessarily correspond exactly to the actual part. "N" signifies the part is not illustrated.

2. DESCRIPTION — Describes the part for the related part number.

Abbreviations

ASSY	- Assembly	L (100L)	- Link (100 Links)
COMP	- Complete	A C	- Alternating Current
R	- Right	D C	- Direct Current
L	- Left	I	- Inlet
STD	- Standard	E	- Exhaust
MM	- Millimeter	F	- Front
G	- Gram	R	- Rear
T (2T)	- Tooth	H	- Hexagonal
I (2T)	- (2) Teeth	M	- Machine Mark
A	- Ampere	T M	- Transcription Mark
V	- Volt	C D	- Capacitive Discharge
W	- Watt	W	- Without Labeling
KWH	- Kilowatt-hour	WOL	- Without Labeling
MPH	- Miles Per Hour		

Decision for "R" or "L":
R or L in the description of a part stands for the right hand side of the left hand side which is decided by the forward direction of travel of the vehicle.

3. MODEL APPLICATION — Model application for the various models is set within the catalog. Single model applications will not require this section.

3a. MODEL YEAR GUIDE — A guide to the part application (prior to 1976 the guide reference is the model designation i.e., K0, K1, etc... For 1973 and above the guide reference is the last digit of the model year i.e., 1976-6; 1977-7, 1983-3 etc...)

4. AREA CODE — Area codes for parts that are unique to a particular area. Area codes are defined in the SERIAL NUMBER application section when applicable. This column will not be used in catalogs which do not include unique area codes.

5. SERIAL NUMBER — Applies to Engine or Frame serial numbers depending on the section.
The serial number of the vehicle (frame, engine, carburetor) should be checked prior to ordering parts for a specific unit in cases where a part has been modified. The serial number of the vehicle bearing the modification is listed in the "SERIAL NUMBER" column.
The modification parts are controlled by each component serial number below.

Engine serial number — Engine group parts (Block numbers beginning with "E")
Carburetor identification number — Carburetor component parts

Frame serial numbers — Frame group parts (Block numbers beginning with "F")
Serial number application chart and Serial number locations are provided.

Note: Some models may be controlled by one serial number only.

HOW TO USE THIS CATALOG

6. QTY REQ — Quantity required per unit as specified.
A. "N" in place of the quantity indicates AS REQUIRED.
B. "()" or "*" by the quantity required indicates "optional".

7. PART NUMBER — Part number corresponding to the reference numbers and application. Several part numbers may be listed under one (1) reference number. For your convenience the current supersede chain, as of print date, has been listed for you. Supersede chains are subject to change without notice.

MAKE-UP OF PART NUMBERS

All parts are classified into two groups consisting of GENERAL PARTS and STANDARD PARTS. All parts are numbered in accordance with system described below:

General Parts

Example: Fork Comp Part No. 51105-GR1-700ZA
Function No. 51
Component No. 105
Parts Classification No. GR1-
Classification No. 700
*Color Code ZA

Standard Parts

Example: 8 x 8 Hex. Bolt Part No. 92000-08018-1A
Function No. 92
Type No. 000
Dimensions 08018-
ISO Standard Designation 1
Chemical Surface Treatment A

* The color code at the end of a General Parts part number indicate the color. However, color codes such as ZA, ZB, ZC onward except ZZ, do not indicate this color directly but refer to the notes "*" in the Description Column of this Parts Catalog Microfiche. If the color description is not indicated in the text, refer to the color tape.

8. HONDA CODE — The Honda Code is listed to the right of each Part Number.

A. ADDITIONAL INFORMATION — The table of contents located at the right of each microfiche grid lists sectioned titles in alphabetical order. Some microfiche will require separate tables of contents for the Engine and Frame sections which will be noted in a sub-heading; the introduction section (Row "A") of these microfiche will have the contents of the Engine Section on even number grids and the contents of the Frame Section on odd number grids.

NOTE:

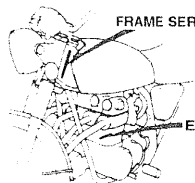
- The Block No. listed in the upper right hand corner of the Description heading refers to a complete illustration page and it's title, and should not be confused with the GRID NO. when using microfiche
- Rear view mirrors are standard equipment on all street legal models.

SERIAL NUMBERS

Models and applicable serial numbers

Models and applicable serial Nos. given in this parts catalog can be identified as follows
Parts with types are exclusive for models destined for countries designated
If no types are listed, parts are for common use

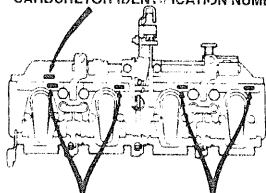
Model	Applicable Engine Serial No.	Applicable Frame Serial No.	Applicable Carburetor Identification No.
CB55J	CB550E-100001 ~	CB550K*100001 ~	022
CB550K76	CB550E-1067334 ~	CB550K*1230001 ~	087
CB550K1	CB550E-1029182 ~	CB550K*1200001 ~	022



FRAME SERIAL NUMBER

ENGINE SERIAL NUMBER

CARBURETOR IDENTIFICATION NUMBER



CARBURETOR IDENTIFICATION NUMBER

CONSTRUCTION OF VEHICLE IDENTIFICATION NUMBER (V.I.N.)

W.M.I. V.D.S. V.I.S.
(Example) JH2 RC040 * B M 200001

W.M.I. ... World manufacturer identifier
V.D.S. ... Vehicle descriptor section
V.I.S. ... Vehicle indicator section

Sequential Production number

Plant representation

- A. ... OHIO factory in U.S.A.
- B. ... AALST factory in BELGIUM
- C. ... SAITAMA factory in JAPAN
- D. ... GUADALAJARA factory in MEXICO
- E. ... MONTESA factory in SPAIN
- F. ... ATESSA factory in ITALY
- K. ... KUMAMOTO factory in JAPAN
- M. ... HAMAMATSU factory in JAPAN
- R. ... MANAUS factory in BRAZIL
- S. ... SUZUKA factory in JAPAN
- T. ... TOCHIGI factory in JAPAN

Model year

(Example)

B. 1981 C. 1982 D. 1983 X. 1999

-Except I.O.Q.U.-

Check digit

This code is used to detect errors in the V.I.N. and consists of a single-digit number (0-9) or a letter "X". It has no direct bearing upon the V.D.S. and V.I.S.

Vehicle description code

(Example) RC040 .. CB750F NC030 CB4001

Refer to SERIAL NUMBERS

Make and Type of vehicle

- JH2 ... HONDA, Motorcycle (Manufactured in JAPAN)
- 1H F HONDA, Motorcycle (Manufactured in U.S.A.)
- YC1 HONDA, Motorcycle (Manufactured in BELGIUM)
- 9CC HONDA, Motorcycle (Manufactured in BRAZIL)
- 3H1 HONDA, Motorcycle (Manufactured in MEXICO)
- VTM HONDA, Motorcycle (Manufactured in SPAIN)
- ZDC HONDA, Motorcycle (Manufactured in ITALY)
- JH3 HONDA, All terrain vehicle (Manufactured in JAPAN)
- 478 HONDA, All terrain vehicle (Manufactured in U.S.A.)

Any change or modification of parts is directly related to the V.D.S. and V.I.S.

A V.I.S. number will appear in the "Serial No." column of the Parts Catalog if a part is changed or modified

COMMENT:

This example is generic and applies to 1981 and newer vehicles. 1980 models and prior are referred to as "FRAME NUMBER'S" and the construction is designed by using the model designation or code followed by a sequential number.

COLOR TABLES

Color chart

- (WL) = Stripes and labels other than caution labels are included in parts whose part name ends in (WL)
- (WOL) = Stripes and labels are not included in parts whose part name ends in (WOL).

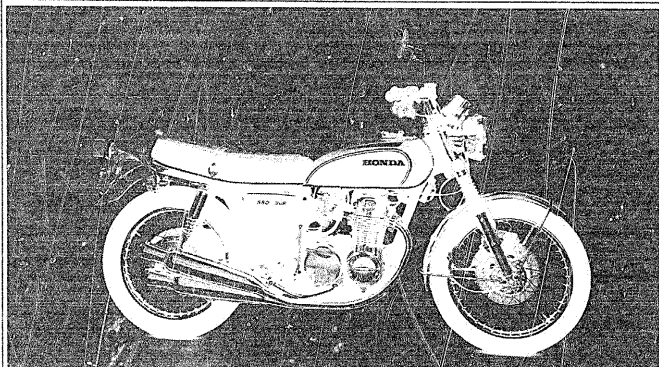
COLOR CODE TABLE (Color descriptions omitted from the main text of the catalog)

TYPE OF PARTS	COLOR CODE	COLOR DESCRIPTION
PAINTED PARTS	A	WHITE
	B	BLACK
	C	SCARLET
	E	ROYAL BLUE
	N	DARK BLUE
	Q	MARQUEM BLUE
	R	IVORY YELLOW
	S	DARK SILVER
	T	METALLIC SILVER
	Z	PRIMER
	ZZ	PRIMER
XW	CHROME	
VINYL PARTS	A	BLACK
	B	BLUE
	D	LIGHT BLUE
	E	SCARLET
	G	DARK ROSE
	N	ELEPHANT GRAY & IVORY
	V	WHITE IVORY

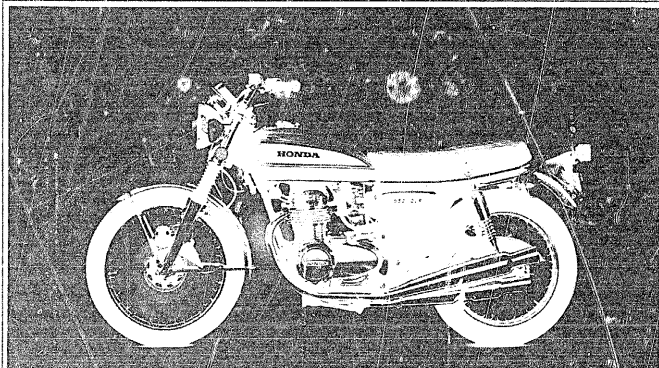
MANUALS

DESCRIPTION	PART NUMBER	H/C
CB550F76,77 CB550K76,77,78 MICROFICHE	133740M	
CB550F76,77 CB550K75,77,78 SERVICE MANUAL	E137407	6671396

MODEL ID PHOTO



C3550 550 FOUR

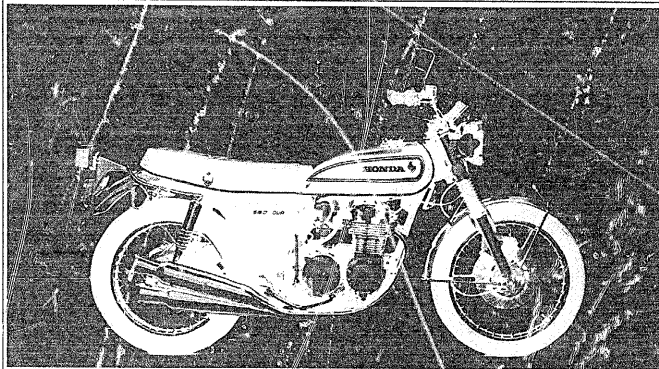


CB550K1 550 FOUR

SPECIFICATIONS

SECTION SUBJECT	CB550	CB550K1
ENGINE		
Cylinder	4 cylinder	4 cylinder
Strokes	4-Stroke	4-Stroke
Cooling	Air Cooled	Air Cooled
Camshaft	SOHC	SOHC
Valves per cylinder	2-Valve	2-Valve
Displacement	544cc	544cc
Lubrication system	Wet Sump	Wet Sump
Carburetor	Piston Valve 22mm	Piston Valve 22mm
Main jet	= 100	= 100
Slow jet	= 38	= 38
TRANSMISSION		
Transmission type	Manual	Manual
Transmission speeds	5 Speed	5 Speed
Clutch	Manual	Manual
Shift pattern	1-N-2-3-4-5	1-N-2-3-4-5
CHASSIS		
Fuel tank capacity (Std.)	3.7gal	3.7gal
Fuel tank capacity (Res.)	1.3gal	1.3gal
Air filter type	Paper	Paper
Countershaft sprocket	17T	17T
Rear wheel sprocket	37T	37T
Drive chain	520-96L Regular	520-96L Regular
Front Brake	Disc	Disc
Rear Brake	Internal expand shoe	Internal expand shoe
Front tire	3.25-19-4PR	3.25-19-4PR
Tire pressure	28PSI	28PSI
Rear tire	3.75-18-4PR	3.75-18-4PR
Tire pressure	34PSI	34PSI
SERVICE TUNING		
Valve clearance		
Intake	0.05mm (0.002")	0.05mm (0.002")
Exhaust	0.08mm (0.003")	0.06mm (0.0025")
Ignition type	Battery	Battery
Points gap	0.3-0.4mm (0.012-0.016")	0.3-0.4mm (0.012-0.016")
Spark plug gap	0.6-0.7mm (0.024-0.028")	0.6-0.7mm (0.024-0.028")
LUBRICATION		
Recommended fuel	86 - Octane	86 - Octane
Engine oil - Pro Honda		
GN4 10W-40	08C35-A14-M01	08C35-A14-M01
GN4 20W-50	08C35-A25-M01	08C35-A25-M01
Engine oil capacity		
After draining	3.2qt	3.2qt
Chain lubricant		
Pro Honda chain Lube	08209-0002	08209-0002
Fork oil		
Pro Honda 5W-55	08208-0005	08208-0005
Pro Honda 10W-55-8	08208-0010	08208-0010

MODEL ID PHOTO



CB550K76 550 FOUR

SPECIFICATIONS

SECTION/SUBJECT	CBS50K76
ENGINE	
Cylinder	4 cylinder
Strokes	4-Stroke
Cooling	Air Cooled
Carburettor	SOHC
Valves per cylinder	2-Valve
Displacement	544cc
Lubrication system	Wet Sump
Carburetor	Piston Valve 22mm
Main jet	± 100
Slow jet	± 38
TRANSMISSION	
Transmission type	Manual
Transmission speeds	5 Speed
Clutch	Manual
Shift pattern	*N-2-3-4-5
CHASSIS	
Fuel tank capacity (Std)	3.7gal
Fuel tank capacity (Res)	1.3gal
Air filter type	Paper
Countershaft sprocket	11T
Rear wheel sprocket	31T
Drive chain	*16-96L Regular
Front Brake	Disc
Rear Brake	Internal expand shoe
Front tire	3.25 S-16-4PR
Tire pressure	25-28PSI
Rear tire	3.75 S-18-4PR
Tire pressure	28-36PSI
SEPERICE TUNING	
Valve clearance	
Intake	0.05mm (0.002")
Exhaust	0.08mm (0.003")
Ignition type	Battery
Points gap	0.3-0.4mm (0.012-0.016")
Spark plug gap	1.6-0.7mm (0.024-0.028")
LUBRICATION	
Recommended fuel	88 - Octane
Engine oil - Pro Honda	
GN4 10W40	08C26-A14*MU1
GN4 20W50	08C35-A25*MU1
Engine oil capacity	
After draining	3.2gal
Chain lubricant	
Pro Honda chain lube	09209-0007
Fork oil	
Pro Honda 15W SS-71	09148-0005
Pro Honda 10W SS-81	08208-0010

BULK HOSE

Bulk Hose Cross Reference Chart

To convert a cut hose part number to the equivalent of roll hose simply match the two part numbers using the following chart, cutting the required length indicated by the cut hose part number.

FUEL HOSE		VACUUM HOSE	
CURRENT CATALOG LISTING	BULK HOSE PART NUMBER	CURRENT CATALOG LISTING	BULK HOSE PART NUMBER
95001-35 --- -2 ---	95001-35003-20M	95005-35 --- -2 ---	95001-35003-20M
95001-35 --- -4 ---	95001-35003-40M	95005-35 --- -3 ---	
95001-45 --- -2 ---	95001-45006-40M	95005-35 --- -1 ---	
95001-45 --- -4 ---	95001-45006-40M	95005-45 --- -2 ---	95001-35003-20M
95001-55 --- -2 ---	95001-55008-20M	95005-45 --- -3 ---	
95001-55 --- -4 ---	95001-55008-40M	95005-50 --- -3 ---	95005-50003-30M
95001-75 --- -4 ---	95001-75008-40M	95005-55 --- -2 ---	95005-55003-20M
		95005-70 --- -3 ---	95005-70003-30M
		95005-75 --- -1 ---	95005-75003-10M
		95005-75 --- -2 ---	
		95005-80 --- -1 ---	95005-80006-10M
		95005-80 --- -2 ---	
		95005-80 --- -3 ---	
		95005-12 --- -2 ---	95005-12003-10M

ORDERING INFORMATION

FUEL HOSE

PART NUMBER	H/C	INSIDE DIAMETER	ROLL LENGTH
95001-35003-20M	2380533	3.5 (mm)	3M (9.9ft)
95001-35003-40M	2380541	3.5 (mm)	3M (9.9ft)
95001-45003-20M	2380558	4.5 (mm)	3M (9.9ft)
95001-45006-30M	2324986	4.5 (mm)	8M (26.4ft)
95001-55006-20M	2386134	5.3 (mm)	8M (26.4ft)
95001-55008-30M	2385896	5.3 (mm)	8M (26.4ft)
95001-75006-20M	2385094	7.5 (mm)	3M (9.9ft)
95001-75003-30M	2385904	7.5 (mm)	3M (9.9ft)

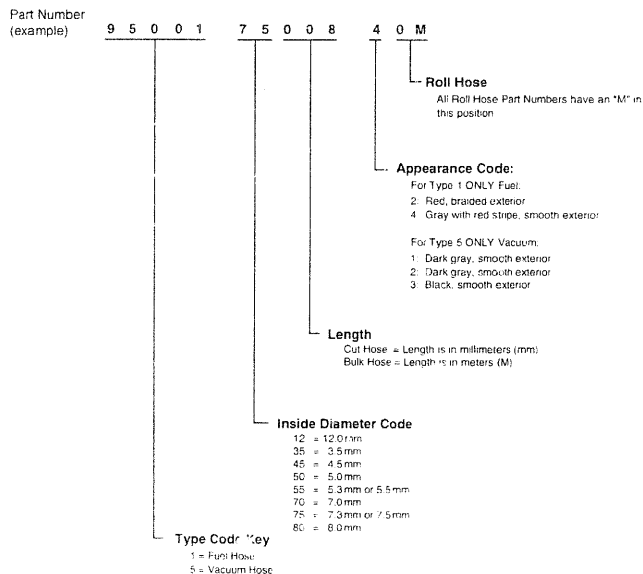
VACUUM HOSE

PART NUMBER	H/C	INSIDE DIAMETER	ROLL LENGTH
95001-35003-10M	2325058	3.5 (mm)	3M (26.4ft)
95001-35003-10M	2325082	4.5 (mm)	3M (26.4ft)
95001-45003-30M	2383608	5.0 (mm)	3M (9.9ft)
95001-45006-10M	2386886	5.5 (mm)	8M (26.4ft)
95001-55006-20M	2380624	6.5 (mm)	8M (9.9ft)
95001-55006-10M	2380640	7.3 (mm)	8M (9.9ft)
95001-75006-10M	2325108	9.0 (mm)	3M (26.4ft)
95001-75003-10M	2380657	12.0 (mm)	3M (9.9ft)
95005-12003-20M	2380665	14.0 (mm)	3M (9.9ft)

CAUTION: Damage to vacuum hose will result from contact with fuel. Do not use vacuum hose in place of fuel hose.

BULK HOSE

Construction of Fuel and Vacuum Hose Part Number



CAUTION: Damage to vacuum hose will result from contact with fuel. Do not use vacuum hose in place of fuel hose.

COMMONLY REQUIRED REPLACEMENT PARTS

Ref No	DESCRIPTION	CB550			QTY	PART NUMBER	HONDA CODE
		K	K1	76			
	BATTERY ASSY.	K	K1	6	1 98703-22250	0430462	
	BATTERY ASSY. (12V12A)	K	K1	--	1 31500-310-671	0113142	
	BULB, TAILLIGHT	K	K1	6	1 34906-M69-771	1700301	
	BULB, TAILLIGHT (12V27/7W 2057HD) (12V27/7W 2057HD)	K	--	--	1 34906-M69-771	1700301	
	BULB, TAILLIGHT (12V 27/8W)	--	K1	6	1 34906-341-671	0273540	
	BULB, TAILLIGHT (12V 27/8W)	K	--	--	1 34906-341-671	0273540	
	BULB, TURN SIGNAL (12V 23W)	K	--	--	2 34905-268-671	0145318	
	BULB, TURN SIGNAL (12V 23W)	--	K1	6	2 34905-268-671	0145318	
	CABLE, SPEEDOMETER INNER	K	K1	6	1 44831-323-000	0312827	
	CABLE, TACHOMETER INNER	K	K1	--	1 37261-300-000	0312785	
		--	--	6	1 37261-300-000	0312785	
	CHAIN, DRIVE (100L) (DAIDD)	K	K1	6	1 40530-341-305	0320242	
	DISK, CLUTCH FRICTION	K	K1	--	7 22201-286-010	0180299	
		--	--	6	6 22201-286-010	0180299	
	FUSE A (15A)	K	K1	6	2 98200-11500	0216283	
	FUSE A (5A)	X	K1	6	2 98200-10500	0330910	
	FUSE A (7A)	K	K1	6	2 98200-10700	0250662	
	FUSE, GROMMET	K	K1	6	1 32118-341-702	0314666	
	GASKET SET	K	K1	6	4 16010-323-305	4344495	
	GASKET SET	K	K1	6	4 16010-323-004	0309492	
	GASKET, EX. PIPE	--	6	1247248	4 18291-390-306	4503046	
	GASKET, EX. PIPE	--	6	1247248	4 18291-390-000	0402420	
	GASKET, EX. PIPE	K	K1	--	4 18291-216-000	0028241	
	GASKET, EX. PIPE	K	K1	--	4 18291-MM5-650	2246535	
		--	--	6	4 18291-216-000	0028241	
		--	--	6	4 18291-MM5-650	3246535	
	GRIP, L. HANDLEBAR	K	K1	6	1 53166-342-670	0268609	
	GRIP, R. HANDLEBAR	K	K1	6	1 53165-342-670	0268391	
	HANDLEBAR	K	K1	6	1 53100-374-000	0362749	
	LENS, TAILLIGHT	K	--	--	1 33702-341-671	0268680	
	LENS, TAILLIGHT	--	K1	6	1 33702-341-671	0268680	
	MIRROR, L.	K	K1	6	1 88120-333-611	0483750	

COMMONLY REQUIRED REPLACEMENT PARTS

Ref No	DESCRIPTION	CB550			QTY	PART NUMBER	HONDA CODE
		K	K1	76			
	MIRROR, L.	K	K1	6	1 88120-333-610	0418814	
	MIRROR, L.	K	K1	--	1 88120-333-004	0297325	
	MIRROR, R.	--	--	6	1 88100-371-980	0456558	
	MIRROR, R.	--	--	6	1 88100-333-610	0418805	
	MIRROR, R.	K	K1	6	1 88110-333-611	0469249	
	MIRROR, R.	K	K1	6	1 88100-333-004	0297317	
	PLUG, SPARK (D-7ES NGK)	K	K1	6	4 98069-57711	0263145	
	PLUG, SPARK (D7EA NGK)	K	K1	6	4 98069-57717	0633248	
	PLUG, SPARK (X22FS ND)	K	K1	6	4 98069-57723	0253906	
	POINTS (184 HITACHI)	K	K1	6	1 30203-300-005	0189423	
	POINTS (184 TOYO)	K	K1	6	1 30203-300-154	0366153	
	POINTS (283 HITACHI)	K	K1	6	1 30204-300-005	0189421	
	POINTS (283 TOYO)	K	K1	6	1 30204-300-154	0366104	
	POINTS ASSY. (HITACHI)	K	K1	6	1 30200-323-005	0254870	
	POINTS ASSY. (TOYO)	K	K1	6	1 30200-323-154	0378604	
	RUBBER, KICK STARTER	--	K1	--	1 1022429	28311-329-000	
		--	--	6	1 28311-329-000	0293159	
	SPRINGER, SHIFT PEDAL	K	K1	6	1 95011-40000	0255695	
	SUBROCKET, DRIVE (17T)	K	K1	6	1 23801-300-010	0256552	
	TIRE, FR. (3.25-19) (BS)	K	K1	--	1 44711-300-013	0286906	
	TIRE, FR. (3.25H19)	K	K1	6	1 44711-341-003	0418103	
	TIRE, FR. (3.25S-19) (BS)	K	K1	6	1 44711-375-671	0419590	
	TIRE, RR. (3.75S-18) (BS)	K	K1	6	1 42711-375-671	0415943	
	TIRE, RR. WHEEL	K	K1	--	1 42711-374-003	03625P2	

© American Honda Motor Co., Inc. 1994

CB550 ENGINE NO.; CB550E-1000001 TO SUBSEQUENT
 CB550 FRAME NO.; CB550K-1000001 TO SUBSEQUENT
 CB550K1 ENGINE NO.; CB550E-1029182 TO SUBSEQUENT
 CB550K1 FRAME NO.; CB550K-1200001 TO SUBSEQUENT

© American Honda Motor Co., Inc. 1994

CB550K176 ENGINE NO.; CB550E-1067334 TO SUBSEQUENT
 CB550K176 FRAME NO.; CB550K-1230001 TO SUBSEQUENT

© American Honda Motor Co., Inc. 1994

CB550E-1067334 ENGINE NO.; CB550E-1067334 TO SUBSEQUENT
 CB550E-1067334 FRAME NO.; CB550E-1230001 TO SUBSEQUENT

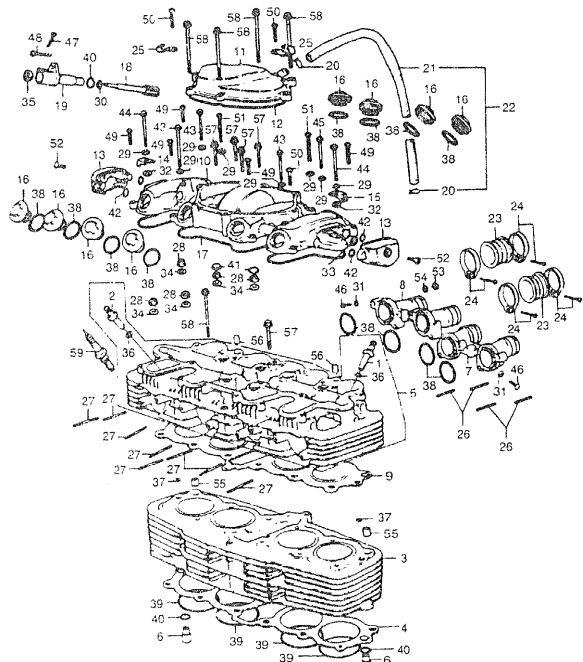
CONTENTS BY PAGE NO. SEQUENCE

PAGE TITLE	PAGE	GRID	PAGE TITLE	PAGE	GRID
CYLINDER • HEAD	2	B1			
CAMSHAFT • CRANKSHAFT	10	B5			
CLUTCH • CRANKCASE COVER	16	B8			
ALTERNATOR • OIL PUMP	24	B12			
TRANSMISSION • KICK STARTER SPINDLE	30	C3			
CRANKCASE • OIL FILTER	40	C8			
CARBURETOR	44	C10			
BOLT • WASHER (CRANKCASE)	48	C12			
HANDLEBAR • CABLE	50	D1			
HEADLIGHT • SPEEDOMETER • TACHOMETER	56	D4			
STEERING STEM • FRONT FENDER	62	D7			
FRONT WHEEL • REAR WHEEL	70	D11			
FUEL TANK • AIR CLEANER	78	E3			
EXHAUST MUFFLER • STEP	90	E9			
SWINGARM • REAR SHOCK ABSORBER	98	F1			
TAILLIGHT • TURN SIGNAL K	106	F5			
TAILLIGHT • TURN SIGNAL K1-76	112	F8			
FRAME • WIRE HARNESS	118	F11			
FRONT BRAKE MASTER • CYLINDER	132	G6			

CONTENTS IN ALPHABETICAL ORDER

PAGE TITLE	PAGE	GRID	PAGE TITLE	PAGE	GRID
AIR CLEANER	78	E3			
ALTERNATOR	24	B12			
BOLT	48	C12			
BRAKE MASTER, FR	132	G6			
CABLE	50	D1			
CAMSHAFT	10	B5			
CARBURETOR	44	C10			
CLUTCH	16	B8			
CRANKCASE	40	C8			
CRANKCASE COVER	16	B8			
CRANKSHAFT	10	B5			
CYLINDER	2	B1			
CYLINDER	132	G6			
EXHAUST MUFFLER	90	E9			
FENDER, FR	62	D7			
FRAME	118	F11			
FUEL TANK	78	E3			
HANDLEBAR	50	D1			
HEAD	2	B1			
HEADLIGHT	56	D4			
KICK STARTER SPINDLE	30	C3			
OIL FILTER	40	C8			
OIL PUMP	24	B12			
SHOCK ABSORBER, RR	98	F1			
SPEEDOMETER	56	D4			
STEERING STEM	62	D7			
STEP	90	E9			
SWINGARM	98	F1			
TACHOMETER	56	D4			
TAILLIGHT K	106	F5			
TAILLIGHT K1-76	112	F8			
TRANSMISSION	30	C3			
TURN SIGNAL K	106	F5			
TURN SIGNAL K1-76	112	F8			
WASHER (CRANKCASE)	48	C12			
WHEEL, FR	70	D11			
WHEEL, RR	70	D11			
WIRE HARNESS	118	F11			

CYLINDER • HEAD



E13374001

K = CB550
 K1 = CB550K1
 6 = CB550K76

Ref. No.	BLOCK NO. DESCRIPTION	E-1	K			ENGINE SERIAL NUMBER FROM TO	PART NUMBER	HONDA CODE
			K	K1	6			
1	GUIDE, IN. VALVE		K	K1	6	-----	4 12021-323-300	0266270
	GUIDE, IN. VALVE		K	K1	6	-----	4 12023-465-405	4101903
2	GUIDE, EX. VALVE		K	K1	6	-----	4 12023-323-300	0317651
	GUIDE, EX. VALVE		K	K1	6	-----	4 12023-324-405	4183315
3	CYLINDER COMP.		K	K1	6	-----	1 12100-374-000	0361980
	CYLINDER COMP.		K	K1	6	-----	1 12100-374-010	0687236
4	GASKET, CYLINDER		K	K1	6	-----	1 12191-374-000	0361998
	GASKET, CYLINDER		K	K1	6	-----	1 12191-426-000	0740043
	GASKET, CYLINDER		K	K1	6	-----	1 12191-426-306	4428280
5	HEAD COMP., CYLINDER		K	K1	6	-----	1 12200-374-000	0362004
	VALVE, OIL CONTROL		K	K1	6	-----	2 12238-323-000	0256974
7	MANIFOLD A, IN.		K	K1	6	-----	1 12241-323-000	0256982
8	MANIFOLD B, IN.		K	K1	6	-----	1 12242-323-000	0256990
9	GASKET, CYLINDER HEAD		K	K1	6	-----	1 12251-323-005	0472639
	GASKET, CYLINDER HEAD		K	K1	6	-----	1 12251-323-005	0472639
	GASKET, CYLINDER HEAD		K	K1	6	-----	1 12251-374-000	0362012
	GASKET, CYLINDER HEAD		K	K1	6	-----	1 12251-374-005	0468504
	GASKET, CYLINDER HEAD		K	K1	6	-----	1 12251-374-306	4414926
	GASKET, CYLINDER HEAD		K	K1	6	-----	1 12251-374-306	4414926
10	COVER, CYLINDER HEAD		K	K1	6	-----	1 12310-323-000	0257014
	COVER, CYLINDER HEAD		K	K1	6	-----	1 12310-323-010	0257014
	COVER, CYLINDER HEAD		K	K1	6	-----	1 12310-323-010	0458661
	COVER, CYLINDER HEAD		K	K1	6	-----	1 12310-323-010	0458661
11	COVER COMP., BREATHER		K	K1	6	-----	1 12320-374-000	0367649
12	GASKET, BREATHER COVER		K	K1	6	-----	1 12329-323-000	0257030
13	COVER, CYLINDER HEAD SIDE		K	K1	6	-----	2 12330-323-000	0257048
14	PLATE A, CYLINDER HEAD SIDE COVER SETTING		K	K1	6	-----	1 12335-323-000	0257055
15	PLATE B, CYLINDER HEAD SIDE COVER SETTING		K	K1	6	-----	1 12336-323-000	0256339
16	CAP, VALVE ADJ.		K	K1	6	-----	8 12361-300-000	0188870
17	GASKET, CYLINDER HEAD COVER		K	K1	6	-----	1 12391-323-000	0256347
18	GEAR, TACHOMETER		K	K1	6	-----	1 12431-323-000	0256354

E13374001

CONTENTS

TITLE	PAGE	GRID
AIR CLEANER	76	E3
ALTERNATOR	24	B12
BOLT	48	C12
BRAKE MASTER FR.	132	O6
CABLE	50	D1
CAMSHAFT	10	B5
CARBURETTOR	44	C10
CLUTCH	16	B9
CRANKCASE	40	CB
CRANKCASE COVER	16	B9
CRANKSHAFT	10	B5
CYLINDER	2	B1
CYLINDER	132	G6
EXHAUST MUFFLER	90	E9
FENDER FR.	62	D7
FRAME	118	F11
FUEL TANK	78	E3
HANDLEBAR	50	D1
HEAD	2	B1
HEADLIGHT	56	D
KICK STARTER SPINDLE	30	C3
OIL FILTER	40	CB
OIL PUMP	24	B12
SHOCK ABSORBER FR.	98	F1
SPEEDOMETER	56	D4
STEERING STEM	62	D7
STEP	90	E9
SWINGARM	98	F1
TACHOMETER	56	D4
TAILLIGHT K	106	F6
TAILLIGHT K1-76	112	F8
TRANSMISSION	30	C3
TURN SIGNAL K	106	F6
TURN SIGNAL K1-76	112	F8
WASHER (CRANKCASE)	48	C12
WHEEL FR.	70	D11
WHEEL RR	70	D11
WIRE HARNESS	118	F11

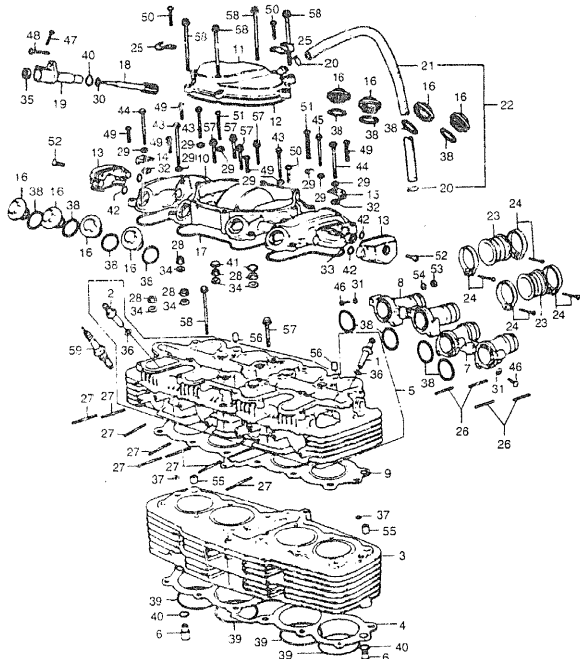
CB550 ENGINE NO.; CB550E-1000001 TO SUBSEQUENT
 CB550 FRAME NO.; CB550K-1000001 TO SUBSEQUENT
 CB550K1 ENGINE NO.; CB550E-1029182 TO SUBSEQUENT
 CB550K1 FRAME NO.; CB550K-1200001 TO SUBSEQUENT

CB550K76 ENGINE NO.; CB550E-1067334 TO SUBSEQUENT
 CB550K76 FRAME NO.; CB550K-1230001 TO SUBSEQUENT

E13374001

www.ClassicCycles.org

CYLINDER • HEAD



E13374001

K = CB550
K1 = CB550K1
6 = CB550K76

Ref. No.	BLOCK NO. DESCRIPTION	E-1	C B 5 5 0 K		ENGINE SERIAL NUMBER FROM TO	Q T Y P R E O	PART NUMBER	HONDA CODE
			K	K1				
19	CAP, TACHOMETER	---	K	K1	6	----	1 12451-323-000	0256362
20	CLIP, OIL DRAIN	---	K	---	---	1018184	2 15707-634-000	0366120
	CLIP, BREATHER TUBE	---	K	---	---	1018185	2 15772-551-000	0501353
	CLIP, BREATHER TUBE	---	K	K1	6	----	2 15772-551-000	0501353
21	TUBE, BREATHER	---	K	---	---	1018184	2 15772-551-680	0531087
	TUBE SET, BREATHER	---	K	---	---	1018184	2 15772-551-680	0531087
	TUBE, 12X4-20 (BULK HOSE: 95005-12003-10M)	---	K	---	---	1018185	1 15763-374-000	0362079
	TUBE SET, BREATHER	---	K	---	---	1018184	1 15763-374-305	0379792
22	TUBE SET, BREATHER	---	K	K1	6	----	1 95005-12420-20	0379784
		---	K	---	---	1018184	1 95005-12420-20	0379784
23	INSULATOR, CARBURETOR	---	K	K1	6	----	1 15763-374-305	0379792
24	BAND B, AIR CLEANER CONNECTING TUBE	---	K	K1	6	----	4 16211-323-000	0254664
	BAND CLEANER	---	K	K1	6	----	8 17256-323-000	0256644
25	CLIP, COIL WIFE	---	K	K1	6	----	8 90652-6HB-650	4511523
26	BOLT, STUD, 6X32	---	K	K1	6	----	2 32906-028-000	0087379
27	BOLT, STUD, 6X40	---	K	K1	6	----	8 90044-323-300	0256958
28	NUT, FLANGE, 8MM	---	K	K1	6	----	12 90236-300-000	0189183
	NUT, FLANGE, 8MM	---	K	K1	6	----	12 94050-08000	0481143
	NUT, FLANGE, 8MM	---	K	K1	6	----	12 94050-08000-0S	0678011
29	WASHER, THRUST, 17MM	---	K	K1	6	----	8 90425-300-000	0189795
30	WASHER, THRUST, 7MM	---	K	K1	6	----	1 90451-292-000	0180554
31	WASHER, THRUST, 5MM	---	K	K1	6	----	4 90452-323-000	0255224
32	WASHER, 6X17	---	---	---	---	1083641	4 90474-704-000	0181324
33	WASHER, THRUST, 6.5MM	---	K	K1	6	----	2 90485-001-000	0004804
34	WASHER, THRUST, 14MM	---	K	K1	6	----	12 90485-035-000	0070979
35	OIL SEAL, 4.8X14.5X4	---	K	K1	6	----	1 91211-286-003	0172783
	OIL SEAL, 4.8X14.5X4	---	K	K1	6	----	1 91256-076-651	2073096
36	O-RING, 10X1.6	---	K	K1	6	----	8 91301-200-000	0022673
37	O-RING, 5X2.4	---	K	K1	6	----	2 91301-323-000	0253609
	O-RING, 5X2.4	---	K	K1	6	----	2 91301-426-000	1202860
	O-RING, 4.9X2.5	---	K	K1	6	----	2 91301-426-010	1113349

CONTENTS

TITLE	PAGE	GRID
AIR CLEANER	78	E3
ALTERNATOR	24	B12
BOLT	48	C12
BRAKE MASTER FR	132	G6
CABLE	50	D1
CAMSHAFT	10	B5
CARBURETOR	44	C10
CLUTCH	16	B8
CRANKCASE	40	CE
CRANKCASE COVER	16	BB
CRANKSHAFT	10	B5
CYLINDER	2	B1
CYLINDER	132	G6
EXHAUST MUFFLER	90	E9
FENDER FR	52	D7
FRAME	118	F11
FUEL TANK	78	E3
HANDLEBAR	50	D1
HEAD	2	B1
HEADLIGHT	66	D4
KICK STARTER SPINDLE	30	C3
OIL FILTER	40	C8
OIL PUMP	24	B12
SHOCK ABSORBER RR	98	F1
SPEEDOMETER	56	D4
STEERING STEM	62	D7
STEP	90	E9
SWINGARM	98	F1
TACHOMETER	56	D4
TAILLIGHT K	106	F5
TAILLIGHT K1-76	112	F8
TRANSMISSION	38	C3
TURN SIGNAL K	106	F5
TURN SIGNAL K1-76	112	F8
WASHER (CRANKCASE)	48	C12
WHEEL FR	70	D11
WHEEL RR	70	D11
WIRE HARNESS	118	F11

GRID

B2

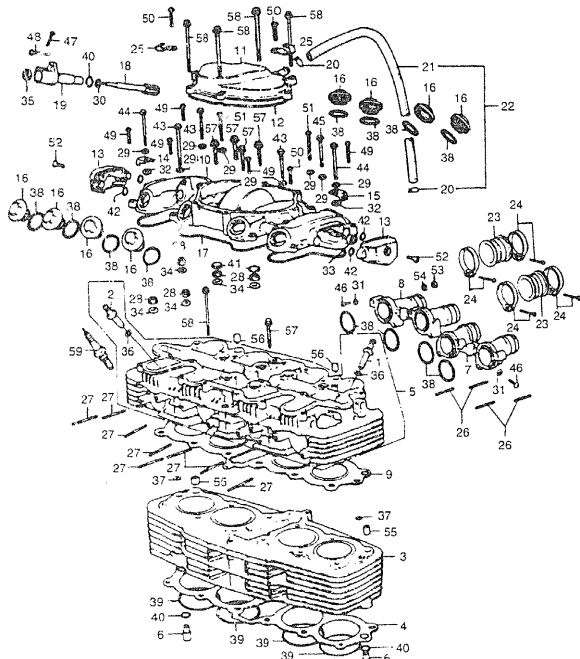
© AMERICAN HONDA MOTOR CO., LTD. 1994

© AMERICAN HONDA MOTOR CO., LTD. 1994

CB550 ENGINE NO.; CB550E-1000001 TO SUBSEQUENT
CB550 FRAME NO.; CB550K-1000001 TO SUBSEQUENT
CB550K1 ENGINE NO.; CB550K-1029183 TO SUBSEQUENT
CB550K1 FRAME NO.; CB550K-1200001 TO SUBSEQUENT

CB550K76 ENGINE NO.; CB550E-1067334 TO SUBSEQUENT
CB550K76 FRAME NO.; CB550K-1230001 TO SUBSEQUENT

CYLINDER • HEAD



E13374001

K = CB550
K1 = CB550K1
6 = CB550K76

Ref. No.	BLOCK NO. DESCRIPTION	E-1	CB550			ENGINE SERIAL NUMBER FROM TO	QTY	PART NUMBER	HONDA CODE
			K	K1	6				
38	O-RING, 30.8MM	---	K	K1	6	---	12	91302-001-020	0001065
39	O-RING, 61.8X2.0	---	K	K1	6	---	4	91304-286-000	0192633
40	O-RING, 11X2.5	---	K	K1	6	---	3	91309-035-000	0326371
	O-RING, 11X2.5	---	K	K1	6	---	3	91310-426-000	1113430
	O-RING, 11X2.5	---	K	K1	6	---	3	91314-M46-005	2023927
41	RUBBER, SEALING	---	K	K1	6	---	6	91318-300-013	0189209
42	O-RING, 6X3	---	K	K1	6	---	4	91319-323-000	0253617
43	BOLT, HEX., 6X40	---	K	K1	---	---	3	92000-06040	0054411
		---	---	---	---	1074572	3	92000-06040	0054411
		---	---	---	---	1074573	5	92000-06040	0054411
	BOLT, HEX., 6X40	---	K	K1	---	---	3	92000-06040-0A	0397505
		---	---	---	---	1074572	3	92000-06040-0A	0397505
		---	---	---	---	1074573	5	92000-06040-0A	0397505
	BOLT, HEX., 6X40	---	K	K1	---	---	3	92101-06040-0A	3856655
		---	---	---	---	1074572	3	92101-06040-0A	3856655
		---	---	---	---	1074573	5	92101-06040-0A	3856655
44	BOLT, HEX., 6X4.5	---	K	K1	6	---	2	92000-06045	0054445
	BOLT, HEX., 6X4.5	---	K	K1	6	---	2	92000-06045-0A	1001247
	BOLT, HEX., 6X4.5	---	K	K1	6	---	2	92101-06045-0A	4264149
45	BOLT, HEX., 6X50	---	K	K1	6	---	1	92000-66050	0054478
46	SCREW, PAN, 5X6	---	K	K1	6	---	4	93500-05006-0A	0209841
47	SCREW, PAN, 5X20	---	K	K1	6	---	1	93500-05020-0A	0197731
48	SCREW, PAN, 6X16	---	K	K1	6	---	1	93500-06016	0057455
49	SCREW, PAN, 6X20	---	K	K1	6	---	4	93500-06020	0057539
50	SCREW, PAN, 6X25	---	K	K1	6	---	2	93500-66040	0057612
51	SCREW, PAN, 6X40	---	K	K1	---	1074572	2	93500-06040	0057612
	SCREW, PAN, 6X40	---	K	K1	---	---	2	93500-06040-0A	1509181
		---	---	---	---	1074572	2	93500-06040-0A	1509181
52	SCREW, DVAL, 6X10	---	K	K1	---	---	2	93700-06010-02	0056440
53	NUT, HEX., 6MM	---	K	K1	---	---	8	90310-KA3-711	1553916
		---	---	---	---	1083641	8	90310-KA3-711	1553916
		---	---	---	---	1083641	12	90310-KA3-711	1553916
	NUT, HEX., 6MM	---	K	K1	---	---	8	94000-06000-0S	1391283
		---	---	---	---	1083640	8	94000-06000-0S	1391283
		---	---	---	---	1083641	12	94000-06000-0S	1391283

AMERICAN HONDA MOTOR CO. LTD. 1984

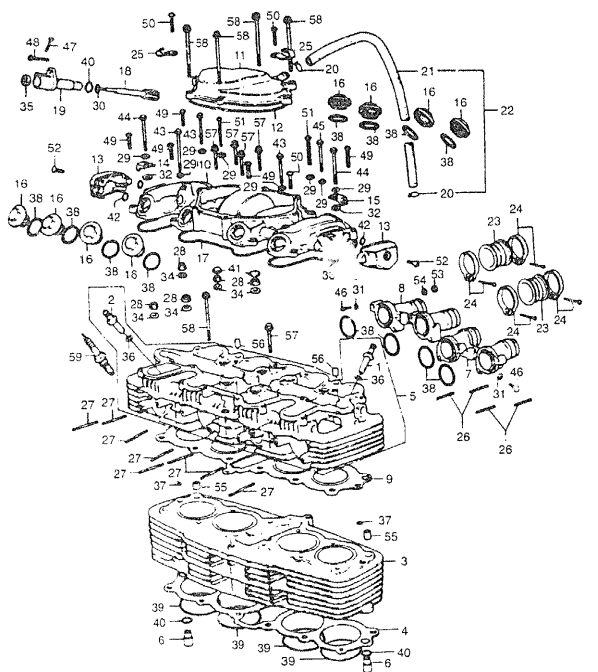
CONTENTS

TITLE	PAGE	GRID
AIR CLEANER	78	E3
ALTERNATOR	27	B12
BOLT	48	C12
BRAKE MASTER FR	132	G6
CABLE	56	D1
CRANKSHAFT	10	B5
CARBURETOR	44	C10
CLUTCH	16	B8
CRANKCASE	40	C8
CRANKCASE COVER	15	B8
CRANKSHAFT	10	B5
CYLINDER	2	B1
CYLINDER	132	G6
EXHAUST MUFFLER	90	E9
FENDER FR	62	D7
FRAME	118	F11
FUEL TANK	78	E3
HANDLEBAR	50	D1
HEAD	2	B1
HEADLIGHT	56	D4
KICK STARTER SPRINDLE	30	C3
OIL FILTER	40	C6
OIL PUMP	24	B12
SHOCK ABSORBER FR	98	F1
SPEEDOMETER	56	D4
STEERING STEM	62	D7
STEP	90	E9
SWINGARM	98	F1
TACHOMETER	66	D4
TAILLIGHT K	106	F5
TAILLIGHT K1-76	112	F8
TRANSMISSION	30	C3
TURN SIGNAL K	106	F5
TURN SIGNAL K1-76	112	F8
WASHER (CRANKCASE)	48	C12
WHEEL FR	70	D11
WHEEL RR	70	D11
WIRE HARNESS	115	F11

GRID

B3

CYLINDER • HEAD



E13374001

Ref. No.	BLOCK NO. DESCRIPTION	E-1	K		ENGINE SERIAL NUMBER FROM TO	QTY	PART NUMBER	HONDA CODE
			K1	6				
			K	6				
			K	1	6			
			K	1	6			
53	NUT, HEX., 6MM		K	K1			94001-06000	0058016
			--	6	1083640	8	94001-06000	0958016
			--	6	1083641	12	94001-06000	0058016
			K	K1			94001-06000-0S	0156067
			--	6	1083640	8	94001-06000-0S	0156067
			--	6	1083641	12	94001-06000-0S	0156067
			K	K1			94001-06008-0S	2829414
			--	6	1083640	8	94001-06008-0S	2829414
			--	6	1083641	12	94001-06008-0S	2829414
			K	K1			94001-06200-0S	2043255
			--	6	1083640	8	94001-06200-0S	2043255
			--	6	1083641	12	94001-06200-0S	2043255
			K	K1			94030-06000	1642693
			--	6	1083640	8	94030-06000	1642693
			--	6	1083641	12	94030-06000	1642693
54	WASHER, PLAIN, 6MM		K	K1		8	94101-06000	0059071
			K	K1	6	8	94101-06080	3136074
			K	K1	6	8	94101-06800	0345900
55	PIN, DOWEL, 12X18		K	K1	6	2	94301-12180	0253773
56	PIN B, DOWEL, 10X16		K	K1	6	2	94302-10160	0253781
57	BOLT, FLANGE, 6X32		K	K1	6	5	95700-06032-00	0484477
			K	K1	6	5	95701-06032-00	2105856
58	BOLT, FLANGE, 6X65		K	K1	6	5	95700-06065-00	0476580
			K	K1	6	5	95701-06065-00	2352545
59	PLUG, SPARK (D-7ES NGK)		K	K1	6	4	98069-57711	0265145
			K	K1	6	4	98069-57717	0633248
			K	K1	6	4	98069-57723	0253906

CONTENTS

TITLE	PAGE	GRID
AIR CLEANER	78	E3
ALTERNATOR	24	B12
BOLT	48	C12
BRAKE MASTER FR	132	G6
CABLE	50	D1
CAMSHAFT	10	B5
CARBURETOR	44	C10
CLUTCH	16	B8
CRANKCASE	40	C8
CRANKCASE COVER	11	B8
CRANKSHAFT	10	B5
CYLINDER	2	B1
CYLINDER	132	G6
EXHAUST MUFFLER	90	E1
FENDER FR	62	D7
FRAME	118	F11
FUEL TANK	78	E3
HANDLEBAR	50	D1
HEAD	2	B1
HEADLIGHT	56	D4
KICK STARTER SPINDLE	30	C3
OIL FILTER	46	C8
OIL PUMP	24	B12
SHOCK ABSORBER FR	98	F1
SPEEDOMETER	56	D4
STEERING STEM	62	D7
STEP	90	E1
SWINGARM	98	F1
TACHOMETER	56	D4
TAILLIGHT R	106	F5
TAILLIGHT K1-76	112	F8
TRANSMISSION	30	C3
TURN SIGNAL K	106	F5
TURN SIGNAL K1-76	112	F8
WASHER (CRANKCASE)	48	C12
WHEEL FR	78	D1
WHEEL RR	70	D1
WIRE HSRNESS	118	F11

AMERICAN HONDA MOTOR CO., LTD. 1994

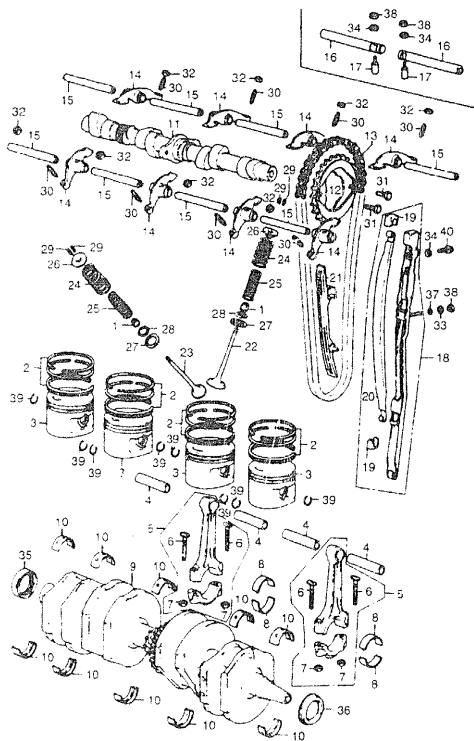
AMERICAN HONDA MOTOR CO., LTD. 1994

CB550 ENGINE NO.; CB550E-1000001 TO SUBSEQUENT
 CB550 FRAME NO.; CB550K-1000001 TO SUBSEQUENT
 CB550K1 ENGINE NO.; CB550E-1029182 TO SUBSEQUENT
 CB550K1 FRAME NO.; CB550K-1200001 TO SUBSEQUENT

CB550K175 ENGINE NO.; CB550E-1067334 TO SUBSEQUENT
 CB550K176 FRAME NO.; CB550K-1230001 TO SUBSEQUENT

www.ClassicCycles.org

CAMSHAFT • CRANKSHAFT



E133*4002

K = CB550
K1 = CB550K1
6 = CB550K 76

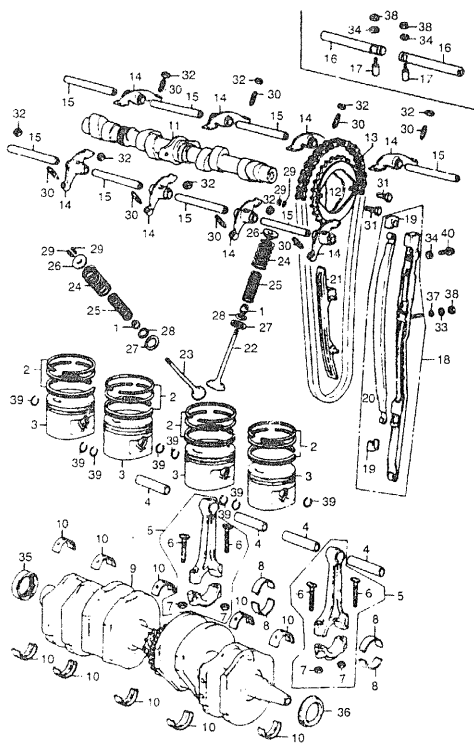
Ref. No.	BLOCK NO. DESCRIPTION	E-2	K			E'GINE SERIAL NUMBER FROM TO	QTY	PART NUMBER	HONDA CODE
			K1	6	76				
1	SEAL, VALVE STEM (NIIPPON)		K	K1	6	-----	8	12209-333-005	0281675
2	RING SET, PISTON (STD) (RIKEN)		K	K1	6	-----	4	13011-374-000	0396945
	RING SET, PISTON (STD) (RIKEN) ...		K	K1	6	-----	4	13011-374-004	0362020
	RING SET, PISTON (0.25)		K	K1	6	(4)	13021-374-000	0395483	
	RING SET, PISTON (0.50)		K	K1	6	(4)	13031-374-000	0395491	
	RING SET, PISTON (0.75)		K	K1	6	(4)	13041-374-000	0395509	
	RING SET, PISTON (1.00)		K	K1	6	(4)	13051-374-000	0395517	
3	PISTON (STD)		K	K1	6	-----	4	13101-374-000	0362038
	PISTON (0.25)		K	K1	6	(4)	13102-374-000	0395210	
	PISTON (0.50)		K	K1	6	(4)	13103-374-000	0395228	
	PISTON (0.75)		K	K1	6	(4)	13104-374-000	0395236	
	PISTON (1.00)		K	K1	6	(4)	13105-374-000	0395244	
4	PIN, PISTON		K	K1	6	-----	4	13111-286-000	0249805
	PIN, PISTON		K	K1	6	-----	4	13111-440-000	1079219
5	ROD COMP. C, CONNECTING		K	K1	6	-----	4	13203-323-000	0258103
	ROD COMP. D, CONNECTING		K	K1	6	-----	4	13204-323-000	0258111
	ROD COMP. E, CONNECTING		K	K1	6	-----	4	13205-323-000	0258129
	ROD COMP. F, CONNECTING		K	K1	6	-----	4	13206-323-000	0258137
	ROD COMP. G, CONNECTING		K	K1	6	-----	4	13207-323-000	0258145
6	BOLT, CONNECTING ROD (TOKAI)		K	K1	6	-----	8	13213-333-003	0296632
7	NUT, CONNECTING ROD		K	K1	6	-----	8	13214-300-000	0190488
8	BEARING A, CONNECTING ROD (DAIDO)		K	K1	6	-----	8	13215-323-003	0256032
	BEARING A, CONNECTING ROD (BLACK)		K	K1	6	-----	8	13215-426-003	0740365
	BEARING B, CONNECTING ROD (DAIDO)		K	K1	6	-----	8	13216-323-003	0256040
	BEARING C, CONNECTING ROD (DAIDO)		K	K1	6	-----	8	13217-323-003	0256057
	BEARING C, CONNECTING ROD (GREEN)		K	K1	6	-----	8	13217-426-003	0740381
	BEARING D, CONNECTING ROD (DAIDO)		K	K1	6	-----	8	13218-323-003	0256065
	BEARING D, CONNECTING ROD (YELLOW)		K	K1	6	-----	8	13218-426-003	0740399
9	CRANKSHAFT COMP.		K	K1	6	-----	1	13300-323-000	0256115
10	BEARING A, CRANKSHAFT		K	K1	6	-----	10	13315-323-000	0256073
	BEARING B, CRANKSHAFT		K	K1	6	-----	10	13316-323-000	0256081
	BEARING C, CRANKSHAFT		K	K1	6	-----	10	13317-323-000	0256099

CONTENTS

TITLE	PAGE GRID
AIR CLEANER	78 E3
ALTERNATOR	24 B12
BOLT	48 C19
BRAKE MASTER FR	132 G8
CABLE	50 D1
CAMSHAFT	10 B5
CANISTER/OIL	44 C10
CLUTCH	16 BB
CRANKCASE	40 C8
CRANKCASE COVER	16 B9
CRANKSHAFT	10 B5
CYLINDER	2 B1
CYLINDER	132 G6
EXHAUST MUFFLER	90 E9
FENDER FR	62 D7
FRAME	118 F11
FUEL TANK	78 E3
HANDLEBAR	30 D1
HEAD	2 B1
HEADLIGHT	56 D4
KICK STARTER SPINDLE	30 C3
OIL FILTER	44 C6
OIL PUMP	24 B12
SHOCK ABSORBER RR	98 F1
SPEEDOMETER	56 D4
STEERING STEM	62 D7
STEP	90 E9
SWINGARM	98 F1
TACHOMETER	56 D4
TAILLIGHT K	106 F5
TAILLIGHT K1-76	112 F8
TRANSMISSION	30 C3
TURN SIGNAL K	106 F5
TURN SIGNAL K1-76	112 F8
WASHER (CRANKCASE)	48 C12
WHEEL FR	70 D11
WHEEL RR	70 D13
WIRE HARNESS	118 F11

www.ClassicCycles.org

CAMSHAFT • CRANKSHAFT



E13374002

Y = CB550
K1 = CB550K1
6 = CE150K76

Ref. No	BLOCK NO. DESCRIPTION	E-2	CB550			SERIAL NUMBER FROM TO	QTY	PART NUMBER	HONDA CODE
			K	K1	6				
10	BEARING D, CRANKSHAFT		K	K1	6	-----	10	13318-323-000	0258079
11	CAMSHAFT		K	K1	6	-----	1	14101-323-000	0256103
12	SPROCKET, CAM		K	K1	6	-----	1	14321-323-000	0256131
13	CHAIN, CAM		K	K1	6	-----	1	14401-323-003	0256107
	CHAIN, CAM		K	K1	6	-----	1	14401-342-003	0332932
14	ARM, VALVE ROCKER		K	K1	6	-----	8	14431-324-000	0249821
15	SHAFT, VALVE ROCKER ARM		K	K1	6	-----	8	14451-323-010	0280727
			---	---	---	1083640	8	14451-323-010	0280727
16	SHAFT, VALVE ROCKER ARM		---	---	---	1083641	4	14451-323-020	0458679
17	PIN, VALVE ROCKER ARM SHAFT COTTER		---	---	---	1083641	4	14456-390-000	0458687
18	TENSIONER, CAM CHAIN		K	K1	6	-----	1	14500-323-000	0256156
19	DAMPER, CAM CHAIN TENSIONER		K	K1	6	-----	2	14501-323-000	0257998
20	SLIPPER, TENSIONER		K	K1	6	-----	1	14520-323-000	0258004
21	GUIDE, CAM CHAIN		K	K1	6	-----	1	14611-323-000	0256164
22	VALVE, IN.		K	K1	6	-----	4	14711-107-020	0214676
23	VALVE, EX. (MITSUBISHI)		K	K1	6	-----	4	14721-323-005	0254599
24	SPRING, VALVE OUTER		K	K1	6	-----	8	14751-107-010	0214700
	SPRING, VALVE OUTER		K	K1	6	-----	8	14751-324-000	0242710
25	SPRING, VALVE INNER		K	K1	6	-----	8	14761-107-010	0214718
	SPRING, VALVE INNER		K	K1	6	-----	8	14761-324-000	0242727
26	RETAINER, VALVE SPRING		K	K1	6	-----	8	14771-107-020	0214726
27	SEAT, VALVE SPRING OUTER		K	K1	6	-----	8	14775-107-000	0214759
28	SEAT, VALVE SPRING INNER		K	K1	6	-----	8	14776-107-010	0214767
29	COTTER, VALVE (SANKO)		K	K1	6	-----	16	14781-107-003	0822478
	COTTER, VALVE IN.		K	K1	6	-----	16	14781-107-020	0214742
30	SCREW, TAPPET ADJ.		K	K1	6	-----	8	90012-300-000	0139027
	SCREW, TAPPET ADJ.		K	K1	6	-----	8	90012-426-000	0768499
31	BOLT, HEX. KNOCK, 7X12		K	K1	6	-----	2	90081-246-000	0192674
32	NUT, TAPPET ADJ.		K	K1	6	-----	8	90206-250-000	0040139
33	WASHER, SEALING, 6MM		K	K1	6	-----	1	90442-035-000	0070961
34	WASHER A, 6.5MM		K	K1	6	-----	1	90481-250-000	0400212
35	OIL SEAL, 30X42X8		K	K1	6	-----	1	91201-300-003	0193961
36	OIL SEAL, 30X45X8		K	K1	6	-----	1	91201-323-005	0253591

AMERICAN HONDA MOTOR CO. LTD. 1984 13

CONTENTS

TITLE	PAGE	GRID
AIR CLEANER	78	E3
ALTERNATOR	24	B8
BOLT	49	C12
BRAKE MASTER FR	132	G6
CABLE	50	D1
CAMSHAFT	10	B5
CARBURETOR	44	C10
CLUTCH	16	B8
CRANKCASE	40	C8
CRANKCASE COVER	16	B8
CRANKSHAFT	10	B5
CYLINDER	2	B1
CYLINDER	132	G6
EXHAUST MUFFLER	90	E9
FENDER FR	62	D7
FRAME	118	F11
FUEL TANK	78	E3
HANDLEBAR	50	D1
HEAD	2	B1
HEADLIGHT	56	D4
KICK STARTER SPINDLE	30	C3
OIL FILTER	40	C8
OIL PUMP	24	B12
SHOCK ABSORBER RR	98	F1
SPEEDOMETER	56	D4
STEERING STEM	62	D7
STEP	90	E9
SWINGARM	98	F1
TACHOMETER	56	D4
TAILLIGHT K	106	F5
TAILLIGHT K1-76	112	F8
TRANSMISSION	30	C3
TURN SIGNAL K	116	F5
TURN SIGNAL K1-76	112	F8
WASHER (CRANKCASE)	48	C12
WHEEL FR	70	D11
WHEEL RR	70	D11
WIRE HARNESS	18	F11

GRID

B6

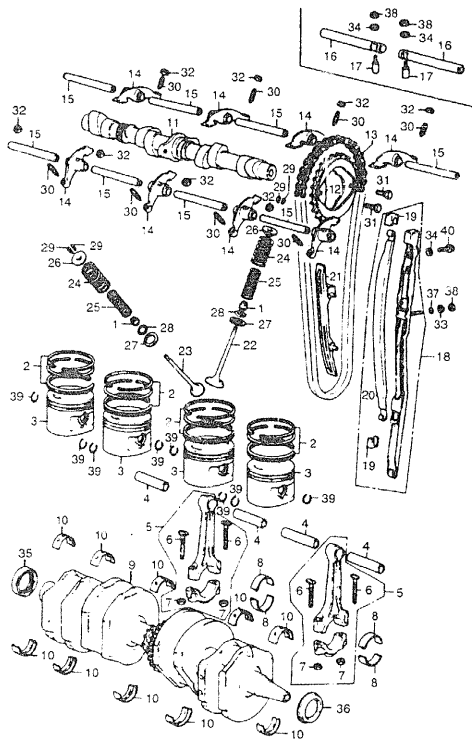
AMERICAN HONDA MOTOR CO. LTD. 1984

16

CB550 ENGINE NO.; CB550E-1000001 TO SUBSEQUENT
CB550 FRAME NO.; CB550K-1000001 TO SUBSEQUENT
CB550K1 ENGINE NO.; CB550E-1029182 TO SUBSEQUENT
CB550K1 FRAME NO.; CB550K-1200001 TO SUBSEQUENT

CB550K176 ENGINE NO.; CB550E-1C67334 TO SUBSEQUENT
CB550K176 FRAME NO.; CB550K-1230001 TO SUBSEQUENT

CAMSHAFT & CRANKSHAFT



E133*4002

K = CB550
 K1 = CB550K1
 6 = CB550K76

Ref. No.	BLOCK NO. DESCRIPTION	E-2	C O M P O S I T I O N			ENGINE SERIAL NUMBER		Q T Y	P A R T N U M B E R	H O N D A C O D E
			K	K 1	6	F R O M	T O			
37	O-RING, 5.8X1.9		K	K 1	6	-----	-----	1	91305-323-000	0258012
	O-RING, 5.6X1.9 (ARA1)		K	K 1	6	-----	-----	1	91318-ME5-003	1366574
38	NUT, HEX., 6MM		K	K 1	6	-----	-----	1	90310-KA1-711	1553976
	NUT, HEX., 6MM		K	K 1	6	-----	-----	1	94000-06000-0S	1391283
	NUT, HEX., 6MM		K	K 1	6	-----	-----	1	94001-06000	0058016
	NUT, HEX., 6MM		K	K 1	6	-----	-----	1	94001-06000-0S	0156067
	NUT, HEX., 6MM		K	K 1	6	-----	-----	1	94001-06008-0S	2829414
	NUT, HEX., 6MM		K	K 1	6	-----	-----	1	94001-06200-0S	2043255
	NUT, HEX., 6MM		K	K 1	6	-----	-----	1	94030-06000	1642693
39	CLIP, PISTON PIN, 15MM		K	K 1	6	-----	-----	8	94601-15000	0156018
40	BOLT, FLANGE, 6X22		K	K 1	6	-----	-----	1	95700-06022-00	0483925
	BOLT, FLANGE, 6X22		K	K 1	6	-----	-----	1	95701-06022-00	2105823

AMERICAN HONDA MOTOR CO. LTD. 1974 15

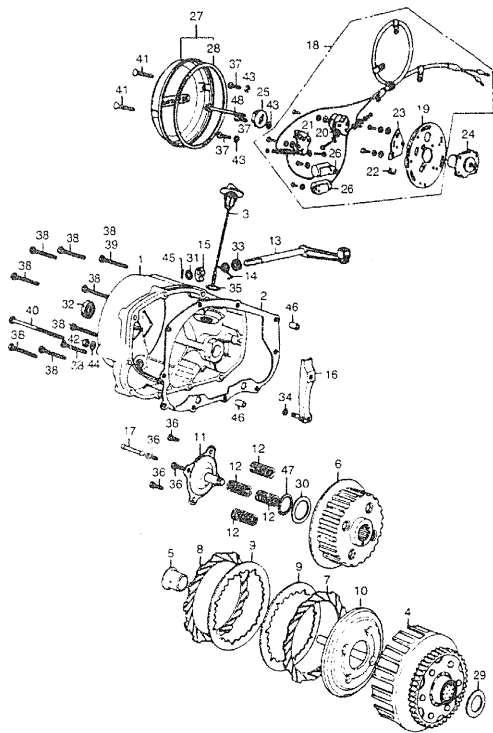
CONTENTS

TITLE	PAGE GRID
AIR CLEANER	76 E3
ALTERNATOR	24 B12
BOLT	46 C12
BRAKE MASTER FR	132 G6
CABLE	50 D1
CAMSHAFT	10 B5
CARBURETOR	44 C10
CLUTCH	16 B8
CRANKCASE	40 C8
CRANKCASE COVER	16 B8
CRANKSHAFT	10 B5
CYLINDER	2 B1
CYLINDER	132 G6
EXHAUST MUFFLER	90 E9
FENDER FR	62 D7
FRAME	118 F11
FUEL TANK	76 E3
HANDLEBAR	50 D1
HEAD	2 B1
HEADLIGHT	56 D4
KICK STARTER SPINDLE	30 C3
OIL FILTER	40 C8
OIL PUMP	24 B12
SHOCK ABSORBER FR	90 F1
SPEEDOMETER	56 D4
STEERING STEM	62 D7
STEP	90 E9
SWINGARM	98 F1
TACHOMETER	56 D4
TAILLIGHT K	106 F5
TAILLIGHT K1-76	112 F6
TRANSMISSION	30 C2
TURN SIGNAL K	106 F5
TURN SIGNAL K1-76	112 F6
WASHER (CRANKCASE)	48 C12
WHEEL FR	70 D11
WHEEL RR	70 D11
WIRE HARNESS	118 F11

GRID

B7

CLUTCH • CRANKCASE COVER



F11374003

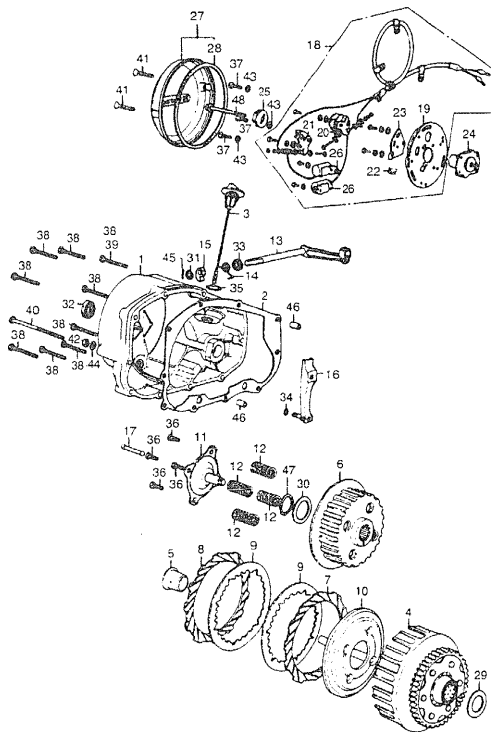
K = CB550
K1 = CB550K1
6 = CB550K76

Ref No	BLOCK NO. DESCRIPTION	E-3	CB550			QTY	ENGINE SERIAL NUMBER FROM TO	REQ	PART NUMBER	HONDA CODE
			K	K1	6					
1	COVER COMP., R. CRANKCASE	K	--	---	1	1003136	1	11331-374-000	0361956
	COVER COMP., R. CRANKCASE	K	--	---	1	1003137	1	11331-374-010	0380949
		K	--	---	1	1071344	1	11331-374-010	0380949
		K1	--	---	1	11331-374-010	1	11331-374-010	0380949
	COVER COMP., R. CRANKCASE	K	--	---	1	1071345	1	11331-390-000	0402248
2	GASKET, R. CRANKCASE COVER	K	K1	---	1	11394-374-000	1	11394-374-000	0361972
		K	K1	---	1	1071344	1	11394-374-000	0361972
	GASKET, R. CRANKCASE COVER	K	K1	---	1	11394-390-000	1	11394-390-000	0402255
	GASKET, R. CRANKCASE COVER	K	K1	---	1	1071345	1	11394-390-306	0402255
3	GAUGE, OIL LEVEL	K	K1	---	1	15650-323-000	1	15650-323-000	0254649
4	OUTER COMP., CLUTCH	K	K1	---	1	22100-374-000	1	22100-374-000	0362202
	OUTER COMP., CLUTCH (63T)	K	--	---	1	22100-390-000	1	22100-390-000	0402461
5	COLLAR, 25MM	K	K1	---	1	22116-374-300	1	22116-374-300	0362210
6	CENTER COMP., CLUTCH	K	K1	---	1	22120-374-000	1	22120-374-000	0362228
	CENTER COMP., CLUTCH	K	--	---	1	22120-390-000	1	22120-390-000	0402487
7	DISK, CLUTCH FRICTION	K	K1	---	7	22201-286-010	7	22201-286-010	0180299
		K	--	---	6	22201-286-010	6	22201-286-010	0180299
8	DISK B, CLUTCH FRICTION	K	--	---	1	22202-390-000	1	22202-390-000	0402495
	DISK B, CLUTCH FRICTION	K	--	---	1	22202-392-000	1	22202-392-000	0435123
9	PLATE, CLUTCH	K	K1	---	6	22321-MT3-000	6	22321-MT3-000	3483674
	PLATE, CLUTCH	K	K1	---	6	22321-374-000	6	22321-374-000	0362236
10	PLATE, CLUTCH PRESSURE	K	K1	---	1	22350-374-000	1	22350-374-000	0362244
	PLATE, CLUTCH PRESSURE	K	--	---	1	22350-390-000	1	22350-390-000	0402503
11	PLATE COMP., CLUTCH LIFTER	K	K1	---	1	22360-374-000	1	22360-374-000	0362251
	PLATE COMP., CLUTCH LIFTER	K	--	---	1	22360-390-000	1	22360-390-000	0402511
12	SPRING, CLUTCH	K	--	---	4	1021685	4	22401-275-000	0038547
	SPRING, CLUTCH	K	--	---	4	1021685	4	22401-323-000	0361331
	SPRING, CLUTCH	K	--	---	4	1021685	4	22401-321-000	0362269
	SPRING, CLUTCH	K	--	---	4	1021686	4	22401-37	0390849
		K1	---	---	4	1021686	4	22401-37	0390849
13	LEVER COMP., CLUTCH	K	--	---	1	1021685	1	22710-374-000	0362277
	LEVER COMP., CLUTCH	K	--	---	1	1021686	1	22710-374-010	0390356
		K1	---	---	1	1021686	1	22710-374-010	0390856
14	SPRING, CLUTCH LEVER	K	K1	---	1	1021685	1	22815-374-000	0362285

CONTENTS

TITLE	PAGE GRID
AIR CLEANER	78 E3
ALTERNATOR	24 B12
BOLT	48 C12
BRAKE MASTER FR	132 C6
CABLE	50 D1
CRANKSHAFT	10 B5
CARBURETOR	44 C10
CLUTCH	16 B8
CRANKCASE	40 C8
CRANKCASE COVER	16 B8
CRANKSHAFT	10 B5
CYLINDER	2 B1
CYLINDER	132 C6
EXHAUST MUFFLER	90 E9
FENDER FR	62 D7
FRAME	118 F11
FUEL TANK	78 E3
HANDLEBAR	50 D1
HEAD	2 B1
HEADLIGHT	56 D4
KICK STARTER SPINDLE	50 C5
OIL FILTER	40 G8
OIL PUMP	24 F 2
SHOCK ABSORBER FR	58 -
SPEEDOMETER	F1 D4
STEERING STEM	62 D7
STEP	90 E9
SWINGARM	98 F1
TACHOMETER	58 D4
TAILLIGHT K	106 F5
TAILLIGHT K1-76	112 F8
TRANSMISSION	30 C3
TURN SIGNAL K	108 F5
TURN SIGNAL K1-76	112 F8
WASHER (CRANKCASE)	48 C12
WHEEL FR	70 D11
WHEEL RR	70 D11
WIRE HARNESS	118 F11

CLUTCH • CRANKCASE COVER



E13374003

K = CB550
K1 = CB550K1
6 = CB550K76

Rot. No.	BLOCK NO. DESCRIPTION	E-3	CB550		ENGINE SERIAL NUMBER	QTY	PART NUMBER	HONDA CODE
			K	1				
			K	1	6	REQ		
			FROM	TO				
15	CAM, CLUTCH LIFTER		K	--	--	1	22821-107-000	0215079
	CAM, CLUTCH LIFTER		K	--	--	1	22821-116-000	0307983
			K1	6	6	1	22821-116-000	0307983
16	LEVER COMP., CLUTCH ADJUSTING		K	K1	6	1	22831-333-010	0295022
	LEVER COMP., CLUTCH ADJUSTING		K	K1	6	1	22831-333-020	0746438
17	ROD, CLUTCH LIFTER		K	K1	6	1	22850-333-000	0295030
18	POINTS ASSY. (HITACHI)		K	K1	6	1	30200-323-005	0254870
	POINTS ASSY. (TOYO)		K	K	6	1	30200-323-154	0378604
19	PLATE, POINT BASE (HITACHI)		K	K1	6	1	30201-300-015	0219535
	PLATE, POINT BASE (TOYO)		K	K1	6	1	30201-300-154	0366146
20	POINTS (184 HITACHI)		K	K1	6	1	30203-300-005	0189423
	POINTS (184 TOYO)		K	K1	6	1	30203-300-154	0366153
21	POINTS (283 HITACHI)		K	K1	6	1	30204-300-005	0189431
	POINTS (283 TOYO)		K	K1	6	1	30204-300-154	0366104
22	FELT, OIL (HITACHI)		K	K1	6	1	30205-003-005	0119784
	FELT, OIL (TOYO)		K	K1	6	1	30205-300-154	0363192
23	PLATE, POINTS SHIFT		K	K1	6	1	30215-300-005	0189449
	PLATE, POINTS SHIFT (TOYO)		K	K1	6	1	30215-300-154	0374504
24	ADVANCER ASSY., SPARK (HITACHI)		K	K1	6	1	30220-323-005	0254888
	ADVANCER ASSY., SPARK (TOYO)		K	K1	6	1	30220-323-154	0378612
25	WASHER, SPECIAL		K	K1	6	1	30233-300-000	0189472
26	CONDENSER COMP. (HITACHI)		K	K1	6	2	30250-300-005	0189480
	CONDENSER COMP. (TOYO)		K	K1	6	2	30250-300-154	0366435
27	COVER COMP., POINTS		K	K1	6	1	30370-323-000	0254896
28	GASKET, POINT COVER		K	K1	6	1	30372-300-300	0189514
29	WASHER, THRUST, 25MM		K	K1	6	1	90455-374-000	0362848
30	SPACER, 0.1MM		K	K1	6	1	90458-323-010	0292318
	SPACER, 0.3MM		K	K1	6	1	90459-323-010	0292326
	SPACER, 0.5MM		K	K1	6	1	90460-323-010	0292334
31	WASHER, 10MM		K	K1	6	1	90471-333-000	0295824
32	OIL SEAL, 18x29x7		K	K1	6	1	91204-286-003	0153254
	OIL SEAL, 18x29x7		K	K1	6	1	91204-286-005	0342394
33	OIL SEAL, 10X16X4.5		K	K1	6	1	91206-333-003	0291054

AMERICAN HONDA MOTOR CO. LTD. 1984 19

CONTENTS

TITLE	PAGE	GRID
AIR CLEANER	76	E3
ALTERNATOR	24	B12
BOLT	48	C12
BRAKE MASTER FR	132	G6
CABLE	50	D1
CAMSHAFT	10	B5
CARBURETOR	44	C10
CLUTCH	16	B8
CRANKCASE	40	C8
CRANKCASE COVER	16	B8
CRANKSHAFT	10	B5
CYLINDER	2	B1
CYLINDER	132	G6
EXHAUST MUFFLER	90	E9
FENDER FR	62	D7
FRAME	118	F11
FUEL TANK	76	E3
HANDLEBAR	50	D1
HEAD	2	B1
HEADLIGHT	56	D4
KICK STARTER SPINDLE	30	C3
OIL FILTER	40	C8
OIL PUMP	24	B12
SHOCK ABSORBER RR	98	F1
SPEEDOMETER	56	D4
STEERING STEM	62	D7
STEP	90	E9
SWINGARM	98	F1
TACHOMETER	56	D4
TAILLIGHT K	106	F5
TAILLIGHT K1-76	112	F8
TRANSMISSION	30	C3
TURN SIGNAL K	106	F5
TURN SIGNAL K1-76	112	F8
WASHER (CRANKCASE)	48	C12
WHEEL FR	70	D11
WHEEL RR	70	D11
WIRE HARNESS	118	F11

GRID

B9

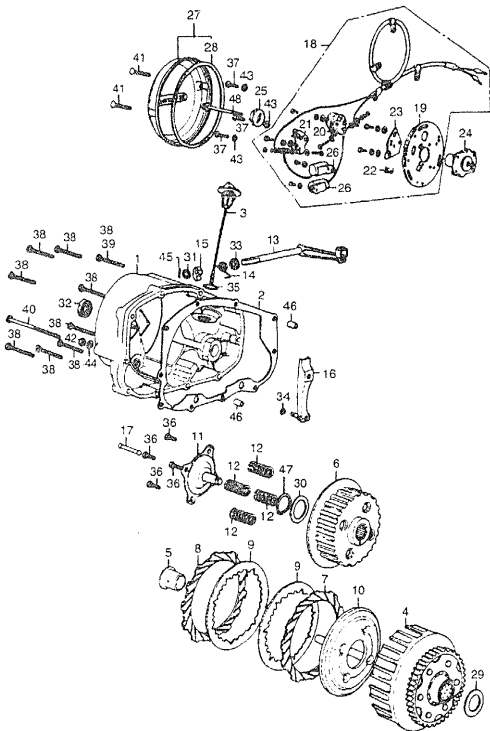
AMERICAN HONDA MOTOR CO. LTD. 1984

B9

CB550 ENGINE NO.; CB550E-1000001 TO SUBSEQUENT
CB550 FRAME NO.; CB550K-1000001 TO SUBSEQUENT
CB550K1 ENGINE NO.; CB550E-1029182 TO SUBSEQUENT
CB550K1 FRAME NO.; CB550K-1200001 TO SUBSEQUENT

CB550K76 ENGINE NO.; CB550E-1067334 TO SUBSEQUENT
CB550K76 FRAME NO.; CB550K-1230001 TO SUBSEQUENT

CLUTCH • CRANKCASE COVER



E13374003

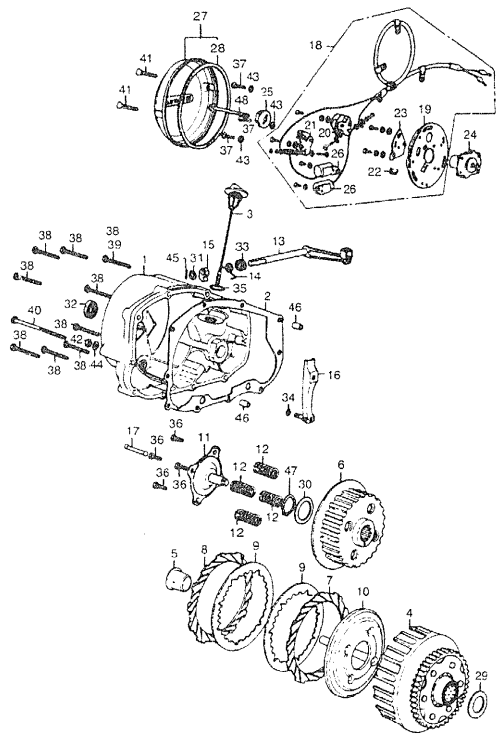
K = CB550
K1 = CB550K1
6 = CB550K76

Ref. No.	BLOCK NO. DESCRIPTION	E-3	C B O O K			ENGINE SERIAL NUMBER FROM TO	Q T Y	P R T N O	PART NUMBER	HONDA CODE
			K	K1	6					
33	OIL SEAL, 10X16X4.5		K	K1	6		1	91259-VM0-000	1775170	
34	O-RING, 6MM		K	K1	6		1	91301-704-000	0192690	
35	O-RING, 23MM		K	K1	6		1	91354-702-000	0122143	
36	BOLT, HEX., 6X22		K	K1	6		4	92020-06022	0416776	
	BOLT, HEX., 6X22		K	K1	6		4	92022-06022	1417542	
37	SCREW, PAN, 5X12		K	K1	6		3	93500-05012-0A	0173567	
38	SCREW, PAN, 6X32		K	--	--	1003136	9	93500-06032	0057562	
			K	--	--	1003137	8	93500-06032	0057562	
			K	1	6		8	93500-06032	0057562	
	SCREW, PAN, 6X32		K	--	--	1003136	9	93500-06032-0A	0666065	
			K	--	--	1003137	8	93500-06032-0A	0666065	
			K	1	6		8	93500-06032-0A	0666065	
39	SCREW, PAN, 6X75		K	--	--	1003137	1	93500-06075	0057737	
			K	1	6		1	93500-06075	0057737	
40	SCREW, PAN, 6X80		K	K1	6		1	93500-06080	0057745	
	SCREW, PAN, 6X80		K	K1	6		1	93500-06080-0A	3872421	
41	SCREW, OVAL, 6X32		K	K1	6		2	93700-06032	0253740	
	SCREW, OVAL, 6X32		K	K1	6		2	93700-06032-0B	0916221	
42	NUT, HEX., 6MM		K	K1	6		1	90310-K43-711	1553916	
	NUT, HEX., 6MM		K	K1	6		1	94001-06000-0S	1391283	
	NUT, HEX., 6MM		K	K1	6		1	94001-06000	0058016	
	NUT, HEX., 6MM		K	K1	6		1	94001-06000-0S	0156067	
	NUT, HEX., 6MM		K	K1	6		1	94001-06008-0S	2829414	
	NUT, HEX., 6MM		K	K1	6		1	94001-06200-0S	2043255	
	NUT, HEX., 6MM		K	K1	6		1	94030-06000	1642693	
43	WASHER, PLAIN, 5MM		K	K1	6		3	94101-05000	0059055	
44	WASHER, PLAIN, 6MM		K	K1	6		1	94101-06000	0059071	
	WASHER, PLAIN, 6MM		K	K1	6		1	94101-06080	3136074	
	WASHER, PLAIN, 6MM		K	K1	6		1	94101-06800	0345900	
45	PIN, COTTER 2.0X15		K	K1	6		1	94201-20150	0058347	
46	PIN A, DOWEL, 8X14		K	K1	6		2	94301-08140	0069310	
47	CIRCLIP, EXTERNAL, 25MM		K	K1	6		1	94510-25150	0210104	
48	BOLT, FLANGE, 6X35		K	K1	6		1	95700-06055-00	0483982	

CONTENTS

TITLE	PAGE GRID
AIR CLEANER	78 E3
ALTERNATOR	24 B12
BOLT	48 C12
BRAKE MASTER FR	132 G6
CABLE	50 D1
CAMSHAFT	49 B5
CARRIURETOR	144 C10
CLUTCH	16 BB
CRANKCASE	40 CB
CRANKCASE COVER	16 BB
CRANKSHAFT	10 BS
CYLINDER	2 B1
CYLINDER	132 G6
EXHAUST MUFFLER	90 E9
FENDER FR	62 DT
FRAME	118 F11
FUEL TANK	78 E3
HANDLEBAR	50 D1
HEAD	2 B1
HEADLIGHT	56 D4
KICK STARTER SPINDLE	30 C3
OIL FILTER	40 CB
OIL PUMP	24 B12
SHOCK ABSORBER RR	98 F1
SPEEDOMETER	56 D4
STEERING STEM	62 DT
STEP	90 E9
SWINGARM	98 F1
TACHOMETER	56 D4
TAILLIGHT K	106 F5
TAILLIGHT K1-76	112 FB
TRANSMISSION	30 C3
TURN SIGNAL K	106 F5
TURN SIGNAL K1-76	112 FB
WASHER / CRANKCASE	48 C12
WHEEL FR	70 D11
WHEEL RR	70 D11
WIRE HARNESS	118 F11

CLUTCH • CRANKCASE COVER



E13374003

K = CB550
K1 = CB550K1
6 = CB550K76

Ref No	BLOCK NO. DESCRIPTION	E-3	K			ENGINE SERIAL NUMBER FROM TO	QTY	PART NUMBER	HONDA CODE
			K	K1	6				
48	BOLT, FLANGE, 6X55		K	K1	6	-----	1	95701-06055-00	2533834

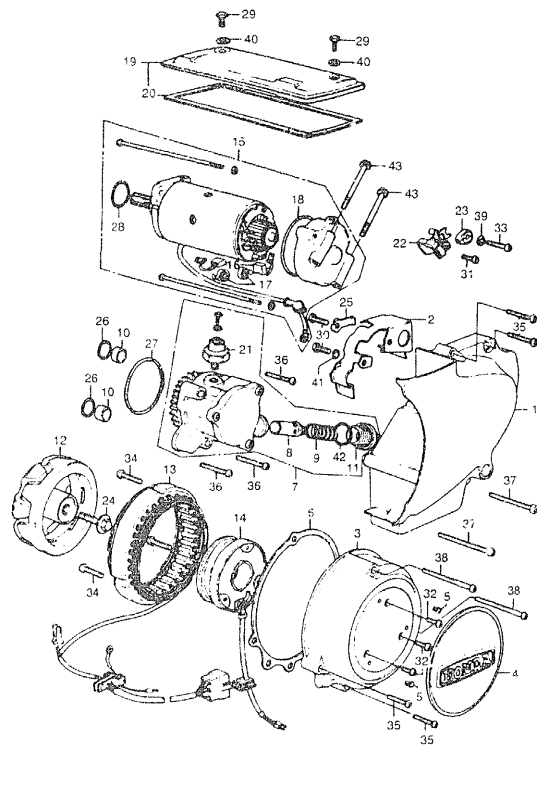
CONTENTS

TITLE	PAGE	GRID
AIR CLEANER	78	E3
ALTERNATOR	24	B12
BOLT	48	C12
BRAKE MASTER FR	132	G6
CABLE	56	D1
CRANKSHAFT	19	B5
CRANKSHAFT	16	B8
CLUTCH	44	C10
CLUTCH	16	B8
CRANKCASE	40	C8
CRANKCASE COVER	16	B8
CRANKSHAFT	10	B5
CYLINDER	2	B1
CYLINDER	132	G6
EXHAUST MUFFLER	90	E9
FENDER FR	62	D7
FRAME	118	F11
FUEL TANK	78	E3
HANDLEBAR	50	D1
HEAD	2	B1
HEADLIGHT	56	D4
KICK STARTER SPINDLE	30	C3
OIL FILTER	40	C8
OIL PUMP	24	G12
SHOCK ABSORBER RR	98	F1
SPEEDOMETER	56	D4
STEERING STEM	62	D7
STEP	90	E9
SWINGARM	98	F1
TACHOMETER	56	D4
TALLIGHT K	106	F5
TALLIGHT K1-76	112	F8
TRANSMISSION	30	C3
TURN SIGNAL K	106	F5
TURN SIGNAL K1-76	112	F8
WASHER (CRANKCASE)	48	C12
WHEEL FR	70	D11
WHEEL RR	70	D11
WIRE HARNESS	118	F11

GRID

B11

ALTERNATOR • OIL PUMP



E:13374004

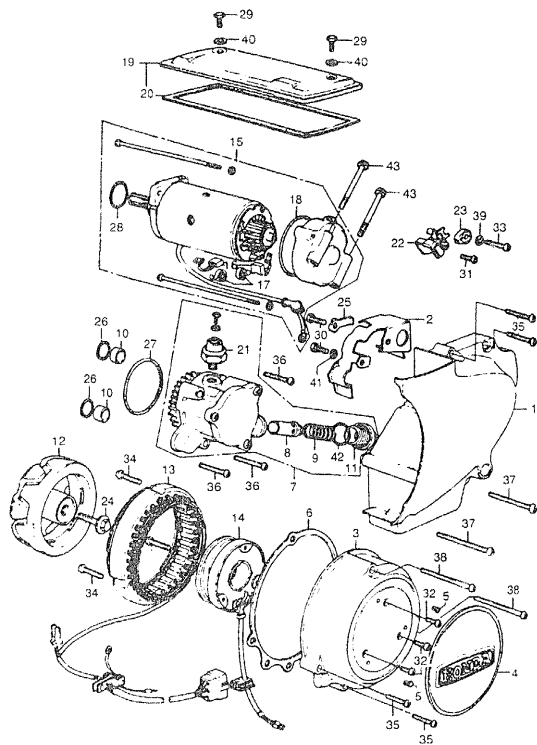
K = CB550
K1 = CB550K1
6 = CB550K76

Ref. No.	BLOCK NO. DESCRIPTION	E-4	K			ENGINE SERIAL NUMBER FROM TO	QTY	PART NUMBER	HONDA CODE
			K1	6	6				
1	COVER COMP., L. CRANKCASE		K	K1	6	-----	1	1134-374-010	0361964
2	PROTECTOR, CASI		K	K1	6	-----	1	11353-363-000	0348136
3	COVER A, ALTERNATOR		K	K1	6	-----	1	11651-323-000	0255976
4	COVER B, ALTERNATOR (UEHARA)		K	K1	6	-----	1	11632-323-003	0266627
5	PUSH ON FIX, J.I.P.E		K	K1	6	-----	3	11633-323-000	0255992
6	GASKET, ALTERNATOR COVER		K	K1	6	-----	1	11691-323-000	0256008
7	PUMP ASSY., OIL (YAMADA)		K	K1	6	-----	1	15100-323-003	0254607
8	PUMP ASSY., OIL		K	K1	6	-----	1	15100-390-000	0413997
8	VALVE, RELIEF		K	K1	6	-----	1	15140-300-010	0190322
9	SPRING, RELIEF VALVE		K	K1	6	-----	1	15145-300-000	0190330
10	COLLAR, O-RING		K	K1	3	-----	2	15155-323-000	0256331
11	CAP, OIL PATH		K	K1	6	-----	1	15331-323-003	0254615
12	ROTOR COMP. (HITACHI)		K	K1	6	-----	1	31101-323-005	0254904
	ROTOR COMP. (HITACHI)		K	K1	6	-----	1	31101-404-831	1071208
13	STATOR COMP. (HITACHI)		K	K1	6	-----	1	31102-323-025	0291336
14	COIL COMP., FIELD (HITACHI)		K	K1	6	-----	1	31103-323-005	0254920
	COIL COMP., FIELD		K	K1	6	-----	1	31103-390-005	0430363
15	MOTOR ASSY., STARTING		K	K1	6	-----	1	31200-323-013	0254938
	MOTOR ASSY., STARTING		K	K1	6	-----	1	31200-426-405	4434551
16	BRUSH SET, CARBON		K	K1	6	-----	2	31201-292-158	0151357
17	SPRING, CARBON BRUSH		K	K1	6	-----	2	31204-292-158	0151373
18	O-RING		K	K1	6	-----	2	31206-286-158	0156323
	O-RING, ØX1.4		K	K1	6	-----	2	31206-402-008	0414235
19	COVER COMP., STARTING MOTOR		K	K1	6	-----	1	31280-323-000	0254946
20	GASKET, STARTING MOTOR COVER		K	K1	6	-----	1	31282-323-300	0254953
21	SWITCH ASSY., OIL PRESSURE		K	K1	6	-----	1	35500-300-000	0189894
	SWITCH ASSY., OIL PRESSURE		K	K1	6	1068954	-----	35500-300-000	0189894
	SWITCH ASSY., OIL PRESSURE		K	K1	6	-----	1	35500-333-004	0295659
	SWITCH ASSY., OIL PRESSURE		K	K1	6	1068954	-----	35500-333-004	0295659
	SWITCH ASSY., OIL PRESSURE (ND) ..		K	K1	6	-----	1	35500-333-014	0401265
	SWITCH ASSY., OIL PRESSURE (ND) ..		K	K1	6	1068954	-----	35500-333-014	0401265
22	STATOR, NEUTRAL SWITCH		K	K1	6	-----	1	35752-323-000	0254979
23	ROTOR, NEUTRAL SWITCH		K	K1	6	-----	1	35753-323-000	0258038

CONTENTS

TITLE	PAGE	GRID
AIR CLEANER	76	L1
ALTERNATOR	76	B7L
BOLT	46	C14
BRAKE MASTER FH	140	B1
CABLE	50	D1
CAMSHAFT	14	B1
CARBURETOR	14	B1
CLUTCH	14	B1
CRANKCASE	41	C2
CRANKCASE COVER	14	B1
CRANKSHAFT	14	B1
CYLINDER	14	B1
CYLINDER	14	B1
EXHAUST MUFFLER	14	B1
FENDER FR	14	B1
FRAME	14	B1
FUEL TANK	14	B1
HANDREAR	14	B1
HEAD	14	B1
HEADLIGHT	14	B1
RICK STARTER SPINNY	14	B1
OIL FILTER	14	B1
OIL PUMP	14	B1
SHOCK ABSORBER FR	14	B1
SPEEDOMETER	14	B1
STEERING STEM	14	B1
STEP	14	B1
SWINGARM	14	B1
TACHOMETER	14	B1
TAILLIGHT	14	B1
TAILLIGHT K1-76	14	B1
TRANSMISSION	14	B1
TURN SIGNAL K	14	B1
TURN SIGNAL K1-76	14	B1
WASHER (CRANKCASE)	14	B1
WHEEL FR	14	B1
WHEEL RR	14	B1
WIRE HARNESS	14	B1

ALTERNATOR • OIL PUMP



E13374004

K = CB550
K1 = CB550K1
6 = CB550K76

Ref. No.	BLOCK NO. DESCRIPTION	E-4	CB550			ENGINE SERIAL NUMBER FROM TO	QTY	FREE	PART NUMBER	HONDA CODE
			K	K1	6					
24	BOLT, UBS, 10X32	K	K1	6	-----	1	90014-333-000	0291237	
	BOLT, UBS, 10X32	K	K1	6	-----	1	90014-333-003	2286789	
25	WASHER, TONGUED, 6MM	K	K1	6	-----	1	90532-323-000	0255265	
26	O-RING, 14MM	K	K1	6	-----	2	91301-268-020	0037184	
27	O RING, 47MM	K	K1	6	-----	1	91302-250-010	0035915	
28	O-RING, 24.4X3.1	K	K1	6	-----	1	91309-300-900	0189928	
	O-RING, 24.4X3.1 (ARAI)	K	K1	6	-----	1	91309-425-003	1113422	
	O-RING, 24.4X3.1	K	K1	6	-----	1	91312-M67-003	2618221	
29	BOLT, HEX., 6X12	K	K1	6	-----	2	92000-06012-02	0054205	
	BOLT, HEX., 6X12	K	K1	6	-----	2	92101-06012-0B	2959526	
30	BOLT, HEX., 6X16	K	K1	6	-----	2	92000-06016	0054239	
	BOLT, HEX., 6X16	K	K1	6	-----	2	92000-06016-0A	0313197	
	BOL., HEX., 6X16	K	K1	6	-----	2	92000-06016-1A	0915124	
	BOLT, HEX., 6X16	K	K1	6	-----	2	92100-06016-0A	1685726	
	BOLT, HEX., 6X16	K	K1	6	-----	2	92101-06016-0A	2479590	
	BOLT, HEX., 6X16	K	K1	6	-----	2	92200-06016-0A	1842400	
31	SCREW, PAN, 6X12	K	K1	6	-----	1	93500-06012	0057422	
	SCREW, PAN, 6X12	K	K1	6	-----	1	93500-06012-0A	0182360	
	SCREW, PAN, 6X12	K	K1	6	-----	1	93500-C6012-00	2711489	
32	SCREW, PAN, 6X16	K	K1	6	-----	3	93500-06016	0057455	
33	SCREW, PAN, 6X20	K	K1	6	-----	1	93500-06020	0057497	
34	SCREW, PAN, 6X28	K	K1	6	-----	3	93500-06028	0057547	
	SCREW, PAN, 6X28	K	K1	6	-----	3	93500-06020-0A	1238356	
35	SCREW, PAN, 6X32	K	K1	6	-----	4	93500-06032	0057562	
	SCREW, PAN, 6X32	K	K1	6	-----	4	93500-06032-0A	0666065	
36	SCREW, PAN, 6X35	K	K1	6	-----	3	93500-06035	0057570	
	SCREW, PAN, 6X35	K	K1	6	-----	3	93500-06035-0A	1520980	
37	SCREW, PAN, 6X55	K	K1	6	-----	2	93500-06055	0057661	
	SCREW, PAN, 6X55	K	K1	6	-----	2	93500-06055-0A	1972967	
38	SCREW, PAN, 6X65	K	K1	6	-----	2	93500-06065	0057695	
39	WASHER, PLAIN, 6MM	K	K1	6	-----	1	94101-06000	0059071	
	WASHER, PLAIN, 6MM	K	K1	6	-----	1	94101-06080	3136074	

CONTENTS

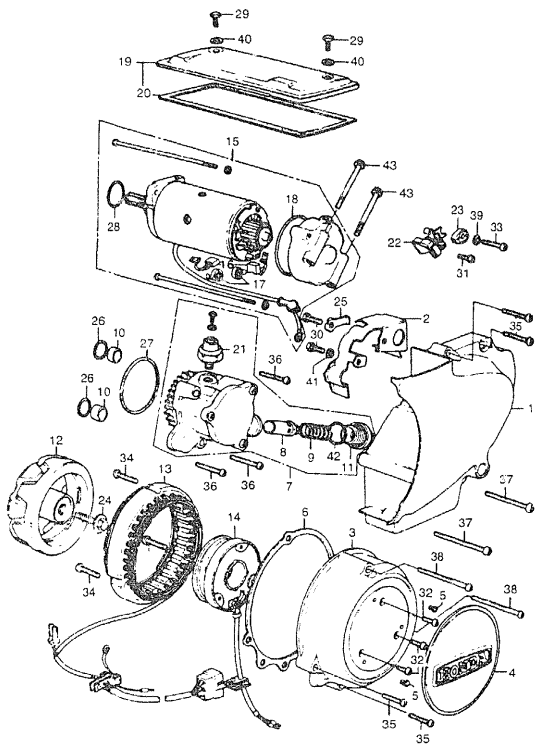
TITLE	PAGE	GRID
AIR CLEANER	78	E3
ALTERNATOR	24	B12
BOLT	48	C12
BRAKE MASTER FR	132	G6
CABLE	50	D1
CRANKSHAFT	10	B5
CARBURETOR	44	C10
CLUTCH	16	L8
CRANK/CASE	40	CB
CRANKCASE COVER	16	B6
CRANKSHAFT	10	B5
CYLINDER	2	B1
CYLINDER	132	G6
EXHAUST MUFFLER	90	E9
FENDER FR	62	D7
FRAME	118	F11
FUEL TANK	78	E3
HANDLEBAR	50	D1
HEAD	2	B1
HEADLIGHT	56	D4
KICK STARTER SPINDLE	33	C3
OIL FILTER	40	CB
OIL PUMP	24	B12
SHOCK ABSORBER RR	98	F1
SPEEDOMETER	56	D4
STEERING STEM	62	D7
STEP	90	E9
SWINGARM	98	F1
TACHOMETER	56	D4
TAILLIGHT K	106	F5
TAILLIGHT K1-76	112	F8
TRANSMISSION	50	C3
TURN SIGNAL K	108	F6
TURN SIGNAL K1-76	112	F8
WASHER (CRANKCASE)	48	C12
WHEEL FR	70	D11
WHEEL RR	70	D11
WIRE HARNESS	118	F13

www.ClassicCycles.org

26 AMERICAN HONDA MOTOR CO. LTD. 1994
 CB550 ENGINE NO.; CB550E-1000001 TO SUBSEQUENT
 CB550 FRAME NO.; CB550K-1000001 TO SUBSEQUENT
 CB550K1 ENGINE NO.; CB550E-1029182 TO SUBSEQUENT
 CB550K1 FRAME NO.; CB550K-1200001 TO SUBSEQUENT

CB550K76 ENGINE NO.; CB550E-1067334 TO SUBSEQUENT
 CB550K76 FRAME NO.; CB550K-1236001 TO SUBSEQUENT

ALTERNATOR • OIL PUMP



E13374004

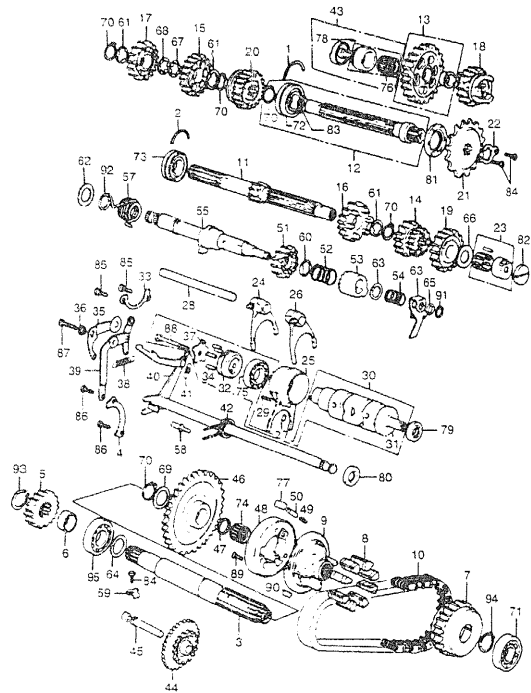
K = CB550
K1 = CB550K1
6 = CB550K76

Ref No	BLOCK NO DESCRIPTION	E-4	K K1	7 6	6	C B 5 5 0 K	ENGINE		O T Y R E O	P A R T N U M B E R	H O N D A C O D E
							FROM	TO			
39	WASHER, PLAIN, 6MM		K	K1	6		-----	-----	1	94101-06800	0345900
40	WASHER, PLAIN, 6MM		K	K1	6		-----	-----	2	94101-06200	0059089
41	WASHER, SPRING, 6MM		K	K1	6		-----	-----	1	94111-06000	0058974
42	O-RING, 19.4X2.8		K	K1	6		-----	-----	1	94608-60000	0268284
43	BOLT, FLANGE, 6X55		K	K1	6		-----	-----	2	95700-06055-00	0483982
	BOLT, FLANGE, 6X55		K	K1	6		-----	-----	2	95701-06055-00	2533834

CONTENTS

TITLE	PAGE	GRID
AIR CLEANER	78	E3
ALTERNATOR	24	B12
BOLT	46	C12
BRAKE MASTER FR	132	G6
CABLE	50	D1
CRANKSHAFT	10	B5
CARBURETOR	64	C10
CLUTCH	16	B8
CRANKCASE	40	C8
CRANKCASE COVER	16	B8
CRANKSHAFT	10	B5
CYLINDER	2	B1
CYLINDER	132	G6
EXHAUST MUFFLER	50	E9
FENDER FR	62	D7
FRAME	118	F11
FUEL TANK	78	C3
HANDLEBAR	50	D1
HEAD	2	B1
HEADLIGHT	56	D4
KICK STARTER SPINDLE	30	C3
OIL FILTER	40	C8
OIL PUMP	24	B12
SHOCK ABSORBER, RR	98	F1
SPEEDOMETER	56	D4
STEERING STEM	62	D7
STEP	90	E9
SWINGARM	98	F1
TACHOMETER	56	D4
TAILLIGHT K	106	F5
TAILLIGHT K1-76	112	F8
TRANSMISSION	30	C3
TURN SIGNAL K	108	F5
TURN SIGNAL K1-76	112	F8
WASHER (CRANKCASE)	48	C12
WHEEL, FR	70	D11
WHEEL, RR	70	D11
WIRE HARNESS	118	F11

TRANSMISSION • KICK STARTER SPINDLE



E13474005

K = CB550
K1 = CB550K1
6 = CB550K76

Ref. BLOCK NO. E-5
No. DESCRIPTION

Ref. No.	BLOCK NO. DESCRIPTION	E-5	K		6	ENGINE SERIAL NUMBER		PART NUMBER	HONDA CODE
			K1	K1		FROM	TO		
1	RING, BEARING SETTING, 57MM	K	K1	6	-----	-----	1 13491-283-000	0074567
2	RING, BEARING SETTING, 52MM	K	K1	6	-----	-----	1 13492-283-000	0074575
	SET RING, 520	K	K1	6	-----	-----	1 95015-25200	0294314
3	SHAFT COMP., PRIMARY	K	K1	6	-----	-----	1 23100-323-000	0256727
4	PLATE, BEARING SETTING	K	K1	6	-----	-----	1 23102-323-000	0256735
5	GEAR, PRIMARY DRIVE (24T)	K	K1	6	-----	-----	1 23103-374-000	0362301
6	COLLAR, 22X13.6	K	K1	6	-----	-----	1 23105-323-000	0256750
7	SPROCKET, PRIMARY DRIVEN (28T)	K	K1	6	-----	-----	1 23111-323-010	0256768
8	RUBBER, DAMPER	K	K1	6	-----	-----	8 23114-323-000	0256776
9	HUB, PRIMARY DRIVE SPROCKET	K	K1	6	-----	-----	1 23121-323-010	0256784
10	CHAIN, PRIMARY DRIVE (CHAIN, PRIMARY DRIVE (50L) (TSUBAKIMOTO)	K	K1	6	-----	-----	1 23131-323-003	0362319
11	MAINSHAFT COMP., TRANSMISSION (24T)	K	K1	6	-----	-----	1 23210-374-000	0362327
12	COUNTERSHAFT COMP., TRANSMISSION	K	K1	6	-----	-----	1 23220-374-000	0362335
13	GEAR, COUNTERSHAFT LOW (40T)	K	K1	6	-----	-----	1 23420-374-000	0362343
14	GEAR, MAIN SHAFT SECOND & THIRD (22T & 26T)	K	K1	6	-----	-----	1 23431-374-000	0362350
15	GEAR, COUNTERSHAFT SECOND (36T)	K	K1	6	-----	-----	1 23441-286-020	0172437
16	GEAR, MAINSHAFT FOURTH (28T)	K	K1	6	-----	-----	1 23451-374-000	0362368
17	GEAR, COUNTERSHAFT THIRD (33T)	K	K1	6	-----	-----	1 234A1-390-305	1183896
	GEAR, COUNTERSHAFT THIRD (33T)	K	K1	6	-----	-----	1 234A-390-315	1201797
	GEAR, COUNTERSHAFT THIRD (33T)	K	K1	6	-----	-----	1 23461-286-030	0172429
	GEAR, COUNTERSHAFT FOURTH (29T)	K	K1	6	-----	-----	1 23471-286-010	0152728
18	GEAR, COUNTERSHAFT FIFTH (33T)	K	K1	6	-----	-----	1 234A1-390-305	1183896
	GEAR, COUNTERSHAFT THIRD (33T)	K	K1	6	-----	-----	1 234A1-390-315	1201797
	GEAR, COUNTERSHAFT FOURTH (29T)	K	K1	6	-----	-----	1 23471-286-010	0152728
19	GEAR, MAINSHAFT TOP (30T)	K	K1	6	-----	-----	1 23481-374-000	0362376
20	GEAR, COUNTERSHAFT TOP (27T)	K	K1	6	-----	-----	1 23491-374-000	0362384
21	SPROCKET, DRIVE (17T)	K	K1	6	-----	-----	1 23801-300-010	0256552
22	PLATE, DRIVE SPROCKET FIXING	K	K1	6	-----	-----	1 23811-292-000	0151241
23	BEARING, NEEDLE 20MM (KOYO)	K	K1	6	-----	-----	1 23931-323-004	0256560

O T Y	R E O	P A R T N U M B E R	H O N D A C O D E	ENGINE SERIAL NUMBER	
				FROM	TO

CONTENTS

TITLE	PAGE	GRID
AIR CLEANER	78	E3
ALTERNATOR	24	B12
BOLT	46	C12
BRAKE MASTER FR	132	G6
CABLE	50	D1
CAMSHAFT	11	B5
CARBURETOR	44	C10
CLUTCH	16	B6
CRANKCASE	40	C8
CRANKCASE COVER	16	BB
CRANKSHAFT	10	BB
CYLINDER	2	B1
EXHAUST MUFFLER	132	G6
FENDER FR	62	D7
FRAME	118	F1
FUEL TANK	78	E3
HANDLEBAR	50	D1
HEAD	2	B1
HEADLIGHT	56	D4
KICK STARTER SPINDLE	30	C3
OIL FILTER	40	F9
OIL PUMP	24	E2
SHOCK ABSORBER FR	98	F1
SPEEDOMETER	56	D4
STEERING STEM	62	D7
STEP	90	F6
SWINGARM	98	F1
TACHOMETER	56	D4
TAILLIGHT K	106	F5
TAILLIGHT K1-76	112	F8
TRANSMISSION	30	C3
TURN SIGNAL K	106	F5
TURN SIGNAL K1-76	112	F8
WASHER (CRANKCASE)	48	C12
WHEEL FR	70	D1
WHEEL RR	70	D1
WIRE HARNESS	118	F1

www.ClassicCycles.org

GRID **C3**

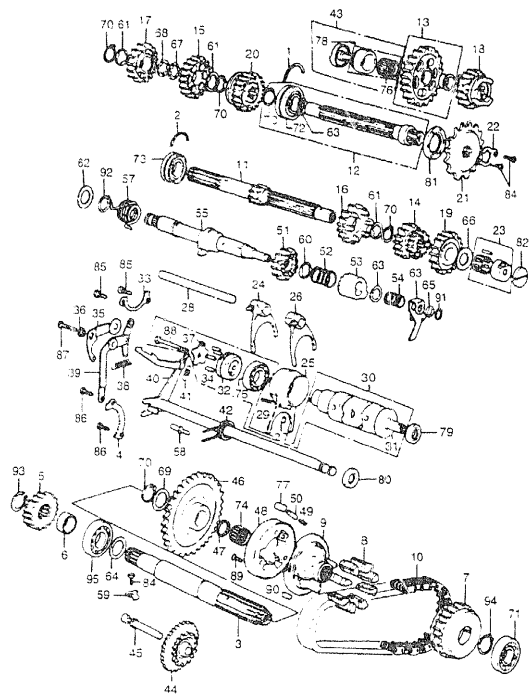
30 AMERICAN HONDA MOTOR CO. LTD. 1984

CB550 ENGINE NO.; CB550E-1000001 TO SUBSEQUENT
CB550 FRAME NO.; CB550K-1000001 TO SUBSEQUENT
CB550K1 ENGINE NO.; CB550E-1029182 TO SUBSEQUENT
CB550K1 FRAME NO.; CB550K-1200001 TO SUBSEQUENT

CB550K76 ENGINE NO.; CB550E-1067334 TO SUBSEQUENT
CB550K76 FRAME NO.; CB550K-1230001 TO SUBSEQUENT

AMERICAN HONDA MOTOR CO. LTD. 1984 31

TRANSMISSION • KICK STARTER SPINDLE



E13374005

K = CB550
K1 = CB550K1
6 = CB550K76

Ref. No.	BLOCK NO. DESCRIPTION	E-5	CB550 K			ENGINE SERIAL NUMBER FROM TO	QTY REQD	PART NUMBER	HONDA CODE
			K	K1	6				
24	FORK, R. GEARSHIFT	---	K	K1	6	---	1	24211-374-000	036239Z
25	FORK, CENTER GEARSHIFT	---	K	K1	6	---	1	24212-374-000	0362400
		---	K	---	6	1074572	1	24212-374-000	0362400
	FORK, CENTER GEARSHIFT	---	K	K1	6	---	1	24212-390-000	0402545
		---	K	---	6	1074572	1	24212-390-000	0402545
26	FORK, L. GEARSHIFT	---	K	K1	6	---	1	24213-374-000	0362418
27	PIN, GEARSHIFT FORK GUIDE	---	K	K1	6	---	3	24261-283-000	0075911
28	SHAFT, GEARSHIFT FORK	---	K	K1	6	---	1	24261-374-000	0362426
29	CLIP, GEARSHIFT FORK GUIDE	---	K	K1	6	---	1	24263-286-000	0177196
30	DRUM ASSY., GEARSHIFT	---	K	K1	6	---	1	24300-374-000	0362434
31	DRUM, GEARSHIFT	---	K	K1	6	---	1	24301-374-000	0362442
32	CENT. GEARSHIFT DRUM	---	K	K1	5	---	1	24302-374-000	0362459
33	PLATE, BEARING SETTING	---	K	K1	6	---	1	24305-374-000	0362467
34	PIN, GEARSHIFT DRUM	---	K	K1	6	---	5	24421-230-000	0119461
35	STOPPER COMP., SHIFT DRUM	---	K	K1	6	---	1	24430-374-000	0362475
36	COLLAR, GEARSHIFT DRUM STOPPER	---	K	K1	6	---	1	24433-323-010	0292201
37	PLATE, DRUM STOPPER CAM	---	K	K1	6	---	1	24434-286-020	0152819
38	SPRING, SHIFT DRUM STOPPER	---	K	K1	6	---	1	24435-323-020	0263962
39	STOPPER COMP., SHIFT DRUM NEUTRAL	---	K	K1	6	---	1	24440-374-000	0362483
40	SPINDLE COMP., GEARSHIFT	---	K	K1	6	---	1	24450-374-000	0362491
41	SPRING, GEARSHIFT ARM	---	K	K1	6	---	1	24541-292-000	0143164
42	SPRING, GEARSHIFT RETURN	---	K	K1	6	---	1	24651-286-000	0152876
43	BEARING COMP., OIL PUMP (YAMADA)	---	K	K1	6	---	1	25100-374-003	0362509
44	GEAR, STARTER REDUCTION	---	K	K1	6	---	1	28101-323-000	0256610
45	SHAFT, STARTER REDUCTION GEAR	---	K	K1	6	---	1	28106-323-000	0256628
46	GEAR, STARTING CLUTCH	---	K	K1	6	---	1	28111-363-000	0362517
47	SPACER, 25MM	---	K	K1	6	---	1	28112-323-000	0254805
48	OUTER, STARTING CLUTCH	---	K	K1	6	---	1	28120-323-000	0256792
49	SPRING, STARTER CLUTCH ROLLER	---	K	K1	6	---	3	28125-323-000	0254813
50	CAP, STARTING CLUTCH ROLLER SPRING	---	K	K1	6	---	3	28126-323-000	0254821
51	PINION, KICK STARTER	---	K	K1	4	---	1	28211-323-000	0254839
52	SPRING, STARTER PINION SETTING	---	K	K1	6	---	1	28215-216-000	0026385

CONTENTS

TITLE	PAGE GRID
AIR CLEANER	78 E3
ALTERNATOR	24 B12
BOLT	48 D12
BRAKE MASTER FR	132 G6
CABLE	50 D1
CRANKSHAFT	10 B6
CRANKCASE COVER	16 B8
CRANKSHAFT	44 C10
CLUTCH	40 C8
CRANKCASE COVER	16 B8
CRANKSHAFT	10 B6
CYLINDER	2 B1
CYLINDER	132 G6
EXHAUST MUFFLER	99 E9
FENDER FR	62 D7
FRAME	118 F11
FUEL TANK	78 E3
HAND REAR	60 D1
HEAD	2 B1
HEADLIGHT	56 D4
KICK STARTER SPINDLE	30 C3
OIL FILTER	40 C6
OIL PUMP	24 B12
SHOCK ABSORBER RR	98 F1
SPEEDOMETER	56 D4
STEERING STEM	62 D7
STEP	90 E9
SWINGARM	98 F1
TACHOMETER	56 D4
TAILLIGHT K	106 F5
TAILLIGHT K1-76	112 F8
TRANSMISSION	30 C3
TURN SIGNAL K	106 F5
TURN SIGNAL K1-76	112 F8
WASHER (CRANKCASE)	43 C12
WHEEL FR	70 D11
WHEEL RR	70 D11
WIRE HARNESS	118 F11

GRID

C4

www.ClassicCycles.org

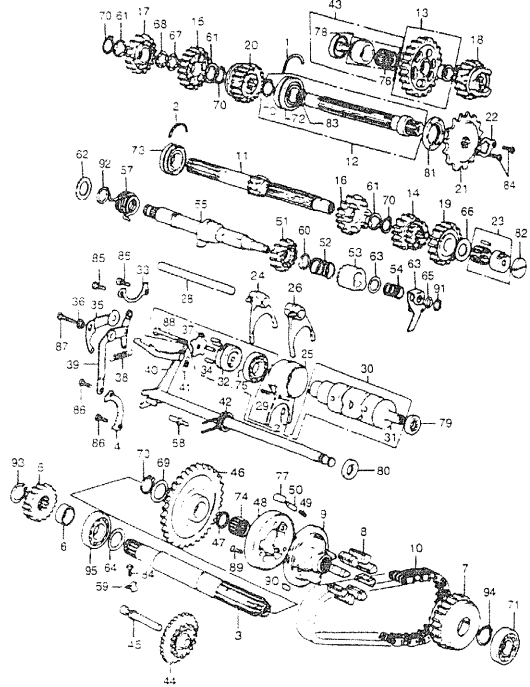
© AMERICAN HONDA MOTOR CO., LTD. 1994

CB550 ENGINE NO.; CB550F-1000001 TO SUBSEQUENT
CB550 FRAME NO.; CB550K-1000001 TO SUBSEQUENT
CB550K1 ENGINE NO.; CB550E-1029182 TO SUBSEQUENT
CB550K1 FRAME NO.; CB550K-1200001 TO SUBSEQUENT

CB550K76 ENGINE NO.; CB550E-1067334 TO SUBSEQUENT
CB550K76 FRAME NO.; CB550K-1230001 TO SUBSEQUENT

© AMERICAN HONDA MOTOR CO., LTD. 1994 33

TRANSMISSION • KICK STARTER SPINDLE



E13374005

K = CB550
K1 = CB550K1
6 = CB550K76

CB550

Ref. No	BLOCK NO. DESCRIPTION	E-5	K K1	7 6	ENGINE SERIAL NUMBER FROM TO	QTY	P R E O	PART NUMBER	HONDA CODE
53	RATCHET, KICK STARTER	---	K	K1	---	1	28221-310-010 28221-310-010	0254847 0254847	
	RATCHET, KICK STARTER	---	K	K1	6	1	28221-310-020 28221-310-020	047631 047631	
54	SPRING, KICK STARTER RATCHET	---	K	K1	6	1	28223-216-000	0026393	
55	SPINDLE, KICK STARTER	---	K	K1	6	1	28251-323-000	0254854	
56	PLATE, RATCHET GUIDE	---	K	K1	6	1	28258-310-010	0252692	
57	SPRING, KICK STARTER	---	K	K1	6	1	28261-323-000	0254862	
58	PIN, RETURN SPRING	---	K	K1	6	1	70015-286-000	0153106	
59	WASHER SPRING, 6MM	---	K	K1	6	1	90133-283-000	0076323	
60	WASHER, THRUST, 20MM	---	K	K1	6	1	90451-216-000	0026807	
61	WASHER A, 14RUST, 25MM	---	K	K1	6	3	90451-286-000	0172411	
62	WASHER, 18MM (KDYD)	---	K	K1	6	1	90453-286-003	0153197	
63	WASHER, 15MM	---	K	K1	6	1	90454-200-000	0026856	
64	WASHER, THRUST, 22MM	---	K	K1	6	1	90456-323-000	0255232	
65	WASHER, THRUST	---	K	K1	6	1	90457-500-000	0112722	
66	WASHER, THRUST, 20MM	---	K	K1	6	1	90458-292-000	0143396	
67	WASHER B, THRUST, 25MM	---	K	K1	6	1	90461-286-000	0172460	
68	WASHER, LOCK, 25MM	---	K	K1	6	1	90462-323-000	0255257	
69	WASHER, THRUST, 25MM	---	K	K1	6	1	90555-700-000	0255273	
70	CIRCLIP, EXTERNAL, 25MM	---	K	K1	6	5	90602-259-010	0080101	
71	BEARING, RADIAL BALL, 63/22	---	K	K1	6	1	91001-MN8-911	3618394	
	BEARING, RADIAL BALL, 6322 (TOYO)	---	K	K1	6	1	91001-116-008	0309088	
	BEARING, RADIAL BALL, 6322 (NTN)	---	K	K1	6	1	91001-436-003	0748905	
	BEARING, RADIAL BALL, 6305	---	K	K1	6	1	91002-KY4-901	4186003	
72	BEARING, SPECIAL BALL, 5205	---	K	K1	6	1	91002-283-000	0647362	
	BEARING, SPECIAL BALL, 5205 (FUJIKOSHI)	---	K	K1	6	1	91002-283-003	0151712	
73	BEARING, BALL, 5205HS (TOYO)	---	K	K1	6	1	91002-286-006	0156422	
74	BEARING, NEEDLE, 25X29X17	---	K	K1	6	1	91007-323-000	0255299	
75	BEARING, BALL, 76005 (NTN)	---	K	K1	6	1	91008-374-003	0362855	
76	BEARING, NEEDLE, 20MM (TOYO)	---	K	K1	6	1	91022-374-003	0362863	
77	ROLLER, 10.2X11.5	---	K	K1	6	3	91101-377-000	0386979	

CONTENTS

TITLE	PAGE GRID
AIR CLEANER	78 E3
AIR FILTER	24 B12
BOLT	48 C12
BRAKE MASTER FR	132 C6
CABLE	50 D1
CAMSHAFT	10 B5
CARBURETOR	44 C10
CLUTCH	16 B8
CRANKCASE	40 C8
CRANKCASE COVER	18 B8
CRANKSHAFT	10 B5
CYLINDER	2 B1
CYLINDER FR	132 C6
EXHAUST MUFFLER	90 E9
FENDER FR	62 D7
FRAME	118 F11
FUEL TANK	78 E3
HANDLEBAR	52 D1
HEAD	2 B1
HEADLIGHT	56 D4
KICK STARTER SPINDLE	30 C3
OIL FILTER	40 C8
OIL PUMP	24 B12
SHOCK ABSORBER FR	98 F1
SPEEDOMETER	56 D4
STEERING STEM	62 D7
STEP	90 E9
STRINGSARM	98 F1
TACHOMETER	56 D4
TAILLIGHT K	106 F5
TAILLIGHT K1-76	112 F8
TRANSMISSION	30 C3
TURN SIGNAL K	106 F5
TURN SIGNAL K1-76	112 F8
WASHER (CRANKCASE)	48 C12
WHEEL FR	70 D11
WHEEL RR	70 D11
WIRE HARNESS	118 F11

www.ClassicCycles.org

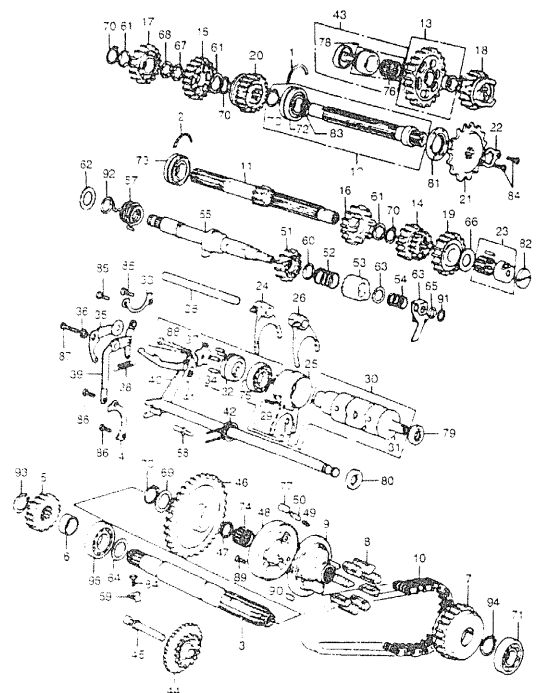
AMERICAN HONDA MOTOR CO. LTD. 1994

CB550 ENGINE NO.; CB550E-1000001 TO SUBSEQUENT
 CB550 FRAME NO.; CB550E-1000001 TO SUBSEQUENT
 CB550K1 ENGINE NO.; CB550E-1029182 TO SUBSEQUENT
 CB550K1 FRAME NO.; CB550E-1200001 TO SUBSEQUENT

CB550K76 ENGINE NO.; CB550E-1027334 TO SUBSEQUENT
 CB550K76 FRAME NO.; CB550E-1230001 TO SUBSEQUENT

AMERICAN HONDA MOTOR CO. LTD. 1994

TRANSMISSION • KICK STARTER SPINDLE



E13374009

K = CB550
 K1 = CB550K1
 6 = CB550K76

Prt. No.	BLOCK NO. DESCRIPTION	E-S	CB550		ENGINE SERIAL NUMBER FROM TO	QTY	PART NUMBER	HONDA CODE
			K	6				
77	ROLLER, 10.2X11.5		K	K1	6	3	91103-259-000	0040378
78	PIN, OIL PUMP KNOCK (YAMADA)		K	K1	6	1	91103-374-003	0362889
79	OIL SEAL, 12X25X4.5		K	K1	6	1	91201-283-005	0379852
	OIL SEAL, 12X25X4.5		K	K1	6	1	91201-292-003	0143412
	OIL SEAL, 12X25X4.5		K	K1	6	1	91202-426-003	1113331
80	OIL SEAL, 14X24X5		K	K1	6	1	91202-216-000	0027060
	OIL SEAL, 14X24X5		K	K1	6	1	91202-216-003	0939710
	OIL SEAL, 14X24X5		K	K1	6	1	91202-302-000	0196709
	OIL SEAL, 14X24X5		K	K1	6	1	91202-302-010	2255867
	OIL SEAL, 13.8X24X5		K	K1	6	1	91205-HB2-771	2422095
	OIL SEAL, 13.8X24X5		K	K1	6	1	91205-HB2-772	4222030
	OIL SEAL, 14X24X5		K	K1	6	1	91205-035-303	0083618
81	OIL SEAL, 33X57X7		K	K1	6	1	91205-283-010	0076463
	OIL SEAL, 33X57X7		K	K1	6	1	91205-283-015	0661512
82	OIL SEAL, 34X8		K	K1	6	1	91207-374-000	0362897
83	O-RING, 24.5MM		K	K1	6	1	91306-703-000	0151720
84	BOLT, HEX., 6X12		K	K1	6	3	92000-06012	0054197
	BOLT, HEX., 6X12		K	K1	6	3	92101-06012	2738521
	BOLT, HEX., 6X12		K	K1	6	3	92101-06012-0A	3591500
85	BOLT, HEX., 6X14		K	K1	6	2	92000-06014	0054213
	BOLT, HEX., 6X14		K	K1	6	2	92101-06014-0A	2552198
86	BOLT, HEX., 6X16		K	K1	6	2	92000-06016	0054239
	BOLT, HEX., 6X16		K	K1	6	2	92000-06016-0A	0313197
	BOLT, HEX., 6X16		K	K1	6	2	92000-06016-1A	0915124
	BOLT, HEX., 6X16		K	K1	6	2	92100-06016-0A	1685726
	BOLT, HEX., 6X16		K	K1	6	2	92101-06016-0A	2479590
	BOLT, HEX., 6X16		K	K1	6	2	92200-06016-0A	1842400
87	BOLT, HEX., 6X20		K	K1	6	1	92020-06020	0241117
88	BOLT, HEX., 6X32		K	K1	6	1	92200-06032	0362905
89	SCREW, FLAT, 6X18		K	K1	6	3	93600-06018	0055806
90	PIN C, DOWEL, 8X14		K	K1	6	1	94303-08140	0256800
91	CIRCLIP, EXTERNAL, 12MM		K	K1	6	1	94510-12000	0112847

CONTENTS

TITLE	PAGE	GRID
AIR CLEANER	76	E2
ALTERNATOR	24	B2
BOLT	48	C12
BRAKE MASTER FR	132	G6
CABLE	50	D1
CAMSHAFT	19	D5
CARBURETOR	44	C10
CLUTCH	16	B8
CRANKCASE	40	C8
CRANKCASE COVER	16	B8
CRANKSHAFT	10	B5
CYLINDER	2	B1
CYLINDER	137	G6
EXHAUST MUFFLER	90	F9
FENDER FR	62	D7
FRAME	118	F11
FUEL TANK	75	F9
HANDLEBAR	50	D1
HEAD	2	B1
HEADLIGHT	56	D4
KICK STARTER SPINDLE	30	C3
OIL FILTER	40	C8
OIL PUMP	24	B2
SHOCK ABSORBER FR	98	F1
SPEEDOMETER	56	D4
STEERING STEM	62	D7
STFP	90	F9
SWINGARM	98	F1
TACHOMETER	56	D4
TAILLIGHT R	106	F5
TAILLIGHT K1-76	112	F8
TRANSMISSION	30	C3
TURN SIGNAL K	106	F5
TURN SIGNAL K1-76	112	F8
W/ THER (CRANKCASE)	40	C2
WHEEL FR	70	D11
WHEEL RR	70	D11
WIRE HARNESS	116	F11

CB550 ENGINE NO.; CB550E-1000001 TO SUBSEQUENT
 CB550 FRAME NO.; CB550K-1000001 TO SUBSEQUENT
 CB550K1 ENGINE NO.; CB550E-1029182 TO SUBSEQUENT
 CB550K1 FRAME NO.; CB550K-1200001 TO SUBSEQUENT

CB550K76 ENGINE NO.; CB550E-1067334 TO SUBSEQUENT
 CB550K76 FRAME NO.; CB550K-1230001 TO SUBSEQUENT

TRANSMISSION • KICK STARTER SPINDLE

K - CB550
 K1 - CB550K1
 6 - CB550K76

CB550
 K1
 76
 K

ENGINE
 SERIAL NUMBER

Q
 T
 Y

R
 E
 O

P
 A
 R
 T
 N
 U
 M
 B
 E
 R

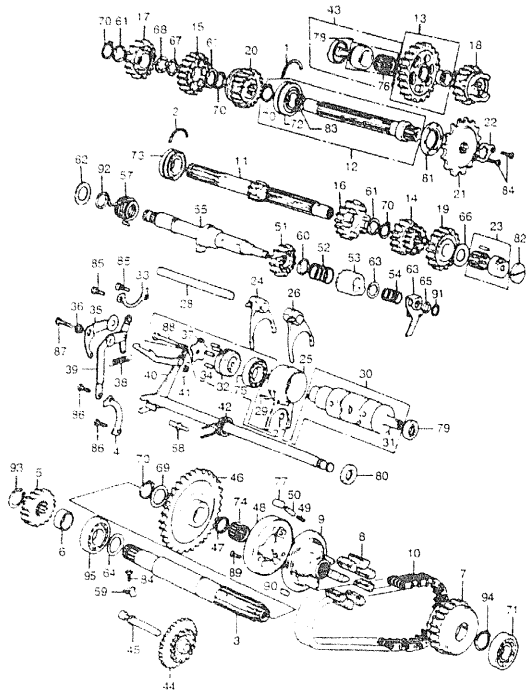
H
 O
 N
 D
 A

C
 O
 D
 E

Ref No	BLOCK NO DESCRIPTION	E-5	K K1	7 6	FROM	TO	QTY	PART NUMBER	HONDA CODE
92	CIRCLIP, EXTERNAL, 18MM		K	K1	6	-----	1	94510-18000	0053611
93	CIRCLIP, EXTERNAL, 20MM		K	K1	6	-----	1	94510-20000	0053629
94	CIRCLIP, EXTERNAL, 30MM		K	K1	6	-----	1	94510-30000	0171900
95	BEARING, RADIAL BALL, 6205		K	K1	6	-----	1	96100-62050	0296897
	BEARING, RADIAL BALL, 6205		K	K1	6	-----	1	96100-62050-00	0636977
	BEARING, RADIAL BALL, 6205		K	K1	6	-----	1	96100-62050-10	0368076

CONTENTS

TITLE	PAGE GRID
AFT CLEANER	76 E3
AFT FEEDER	24 D12
BELT	28 C12
BRAKE MASTER FH	132 G4
CABLE	50 D1
CAMSHAFT	10 D5
CAMSHAFT TOR	24 C10
CLUTCH	14 E6
CHARGECASE	40 E3
CHARGECASE COVER	16 E9
CHARGESHAFT	10 E5
CYLINDER F1	2 E1
CYLINDER F2	132 G6
EXHAUST MANIFOLD	96 E9
FENDER FH	12 E2
FRAM	116 F11
FUEL TANK	76 E3
HANDLEBAR	50 D3
HEAD	2 E1
HEADLIGHT	56 E4
KICK STARTER SPINDLE	40 C3
Oil Filter	40 C4
Oil Pump	24 E12
SHOCK ABSORBER FH	98 F1
SPEEDOMETER	56 E4
STEERING STEM	42 E2
STEP	90 E9
SWINGARM	96 F1
TACHOMETER	56 E4
TABLIGHT K	106 E5
TABLIGHT K1-76	112 E8
TRANSMISSION	30 C3
TURN SIGNAL K	106 E5
TURN SIGNAL K1-76	112 E8
WASHER (CHARGECASE)	48 C12
WHEEL FFR	70 D11
WHEEL FR	70 D11
WIRE HARNESS	118 F11



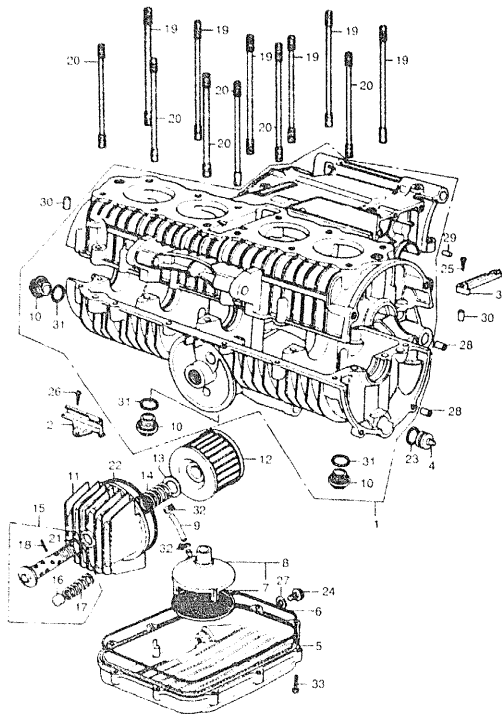
E 131 7400-1

CB550 ENGINE NO.; CB550E-1000001 TO SUBSEQUENT
 CB550 FRAME NO.; CB550K-1000001 TO SUBSEQUENT
 CB550K1 ENGINE NO.; CB550E-1029182 TO SUBSEQUENT
 CB550K1 FRAME NO.; CB550K-1200001 TO SUBSEQUENT

CB550K76 ENGINE NO.; CB550E-1067334 TO SUBSEQUENT
 CB550K76 FRAME NO.; CB550K-1230001 TO SUBSEQUENT

AMERICAN MOTORCYCLE CO., INC. 1984

CRANKCASE • OIL FILTER



F 15374008

K = CB50
K1 = CB50K1
E = CB50K76

Part No	BLOCK NO DESCRIPTION	E/G	K K1	C B 5 0 K	G R O U P	ENGINE SERIAL NUMBER		Q T Y	R E Q	PART NUMBER	HONDA CODE
						FROM	TO				
1	CRANKCASE SET		K	K1	6	-----	-----	1	11000-374-000	0361949	
2	GUIDE A, OIL		K	K1	6	-----	-----	1	11202-323-000	0255885	
3	GUIDE B, OIL		K	K1	6	-----	-----	1	11203-323-010	0292169	
4	PLUG, OIL PATH		K	K1	6	-----	-----	1	11207-323-000	0255901	
5	PAN, OIL		K	K1	6	-----	-----	1	11210-323-000	0255919	
6	GASKET, OIL PAN		K	K1	6	-----	-----	1	11398-426-000	1113711	
7	SCREEN, OIL STRAINER		K	K1	6	-----	-----	1	15150-300-000	0190355	
8	STRAINER, OIL		K	K1	6	-----	-----	1	15150-374-000	0362046	
9	PIPE, TRANSMISSION OIL		K	K1	6	-----	-----	1	15154-374-000	0362053	
10	CAP B, OIL PATH		K	K1	6	-----	-----	3	15332-300-000	0382120	
11	CASE, OIL FILTER		K	K1	6	-----	-----	1	15411-300-010	0203950	
12	ELEMENT, OIL FILTER (TOKYO ROKI)		K	K1	6	-----	-----	1	15410-422-000	0690479	
	ELEMENT, OIL FILTER		K	K1	6	-----	-----	1	15410-426-000	0740597	
	ELEMENT, OIL FILTER		K	K1	6	-----	-----	1	15410-426-010	1113737	
	ELEMENT, OIL ELEMENT		K	K1	6	-----	-----	1	15412-300-024	1190124	
	ELEMENT, OIL ELEMENT		K	K1	6	-----	-----	1	15412-300-325	0314567	
13	SEAT, OIL FILTER SPRING		K	K1	6	-----	-----	1	15414-300-000	0190132	
14	SPRING, OIL FILTER ELEMENT SETTING		K	K1	6	-----	-----	1	15415-300-000	0190140	
15	BOLT, OIL FILTER CENTER		K	K1	6	-----	-----	1	15420-300-020	0203968	
16	VALVE, CHECK		K	K1	6	-----	-----	1	15473-300-300	0190165	
17	SPRING, CHECK VALVE		K	K1	6	-----	-----	1	15474-300-310	0190173	
18	PIN, SPRING SETTING		K	K1	6	-----	-----	1	15477-300-300	0190181	
19	BOLT A, CYLINDER STUD		K	K1	6	-----	-----	6	90033-323-000	0255174	
20	BOLT B, CYLINDER STUD		K	K1	6	-----	-----	6	90034-323-000	0255182	
21	O-RING, 15X2.5		K	K1	6	-----	-----	1	91302-028-000	0295592	
22	O-RING, 89X4.5		K	K1	6	-----	-----	1	91316-500-005	1065242	
23	O-RING, 13X2.5		K	K1	6	-----	-----	1	91319-300-000	0112474	
24	BOLT, DRAIN PLUG, 12MM		K	K1	6	-----	-----	1	92800-12000	0053975	
25	SCREW, TAPPING, 5X16		K	K1	6	-----	-----	1	93901-25310	0253757	
26	SCREW, TAPPING, 6X12		K	K1	6	-----	-----	1	93901-26110	0253765	
27	WASHER, DRAIN PLUG, 12MM		K	K1	6	-----	-----	1	94109-12000	0171868	
28	PIN A, DOWEL, 8X14		K	K1	6	-----	-----	2	94301-08140	0069310	

F 15374008

CONTENTS

TITLE	PAGE	GRID
AIR CLEANER	26	E-1
ALTERNATOR	24	E-2
BECK F	24	E-2
BECKE MASTER FTH	132	E-6
CABLE	50	D-7
CAMSHAFT	10	E-5
CAMSHAFT TOR	44	E-10
CLUTCH	76	E-8
CRANKCASE	40	E-3
CRANKCASE COVER	16	E-3
CRANKSHAFT	10	E-5
CYLINDER	2	E-1
CYLINDER	150	G-4
EXHAUST MUFFLER	90	E-9
FENDER FR	62	E-7
FRAME	138	F-10
FUEL TANK	76	E-1
HANDLEBAR	50	E-3
HEAD	2	E-1
HIGHLIGHT	56	E-4
NOCK SHAFTER SPINDLE	40	E-3
OIL FEED	40	E-3
OIL PUMP	24	E-2
SHOCK ABSORBER FR	98	F-1
SPEEDMETER	56	E-4
STEERING STEM	62	E-7
SWEEPER	90	E-9
SWINGARM	98	F-1
TACHOMETER	56	E-4
TAILLIGHT R	106	F-5
TAILLIGHT R-76	132	E-6
TRANSMISSION	40	E-3
TURBOSIGNAL R	106	F-5
TURBOSIGNAL R-76	132	E-6
WASHER (CRANKCASE)	40	E-3
WHEEL FR	70	E-11
WHEEL FR	70	E-11
WIRE HARNESS	118	F-11

GRID

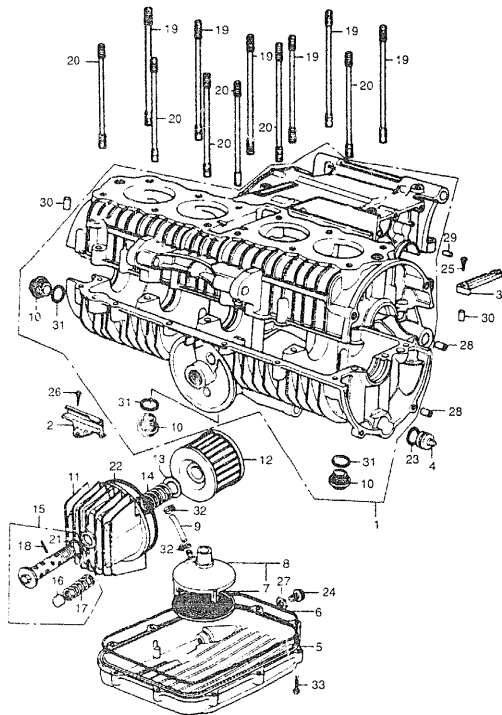
C8

www.ClassicCycles.org

CB550 ENGINE NO.; CB550-1000001 TO SUBSEQUENT
 CB550 FRAME NO.; CB550-1000001 TO SUBSEQUENT
 CB550K1 ENGINE NO.; CB550K-1029182 TO SUBSEQUENT
 CB550K1 FRAME NO.; CB550K-1200001 TO SUBSEQUENT

CB550K76 ENGINE NO.; CB550K-1067334 TO SUBSEQUENT
 CB550K76 FRAME NO.; CB550K-1230001 TO SUBSEQUENT

CRANKCASE • OIL FILTER



E13374066

Ref. No.	BLOCK NO. DESCRIPTION	E-6	CB550K		ENGINE SERIAL NUMBER FROM TO	QTY	PART NUMBER	HONDA CODE
			K	K1				
			K	K1				
29	29 PIN B, DOWEL, 6X10		K	K1	6	2	94302-06100	0145471
30	30 PIN B, DOWEL, 10X16		K	K1	6	2	94302-10160	0253781
31	31 O-RING, 19.4X2.8		K	K1	6	3	94608-40000	0268284
32	32 CLIP, TUBE, C11		K	K1	6	2	95002-70000	0053595
33	33 BOLT, FLANGE, 6X32		K	K1	6	10	95700-06032-00	0484477
	BOLT, FLANGE, 6X32		K	K1	6	10	95701-06032-00	2105856

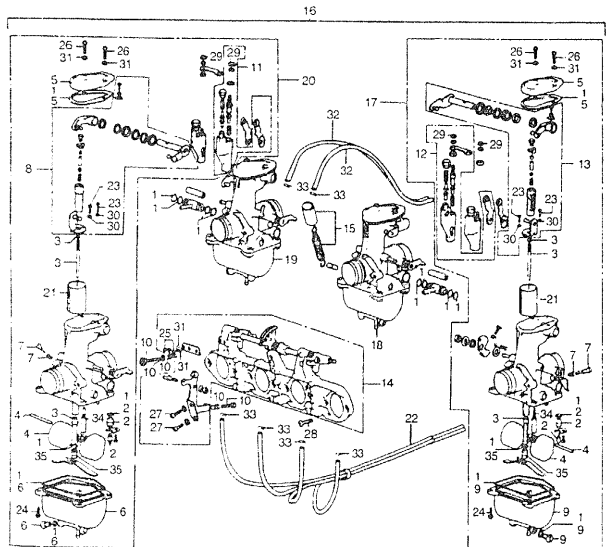
CONTENTS

TITLE	PAGE	GRID
AIR CLEANER	78	E3
ALTERNATOR	24	B12
BOLT	48	C12
BRAKE MASTER FR	132	G6
CABLE	50	D1
CAMSHAFT	10	B5
CARBURETOR	44	C10
CLUTCH	16	B8
CRANKCASE	40	C8
CRANKCASE COVER	16	B8
CRANKSHAFT	10	B5
CYLINDER	2	E1
CYLINDER	132	G6
EXHAUST MUFFLER	90	E9
FENDER FR	62	D7
FRAME	118	F1
FUEL TANK	78	E3
HANDLEBAR	50	D1
HEAD	2	B1
HEADLIGHT	56	D4
KICK STARTER SPINDLE	30	C3
OIL FILTER	40	C8
OIL PUMP	24	B12
SHOCK ABSORBER FR	88	F1
SPEEDOMETER	56	D4
STEERING STEM	62	D7
STEP	90	E9
SWINGARM	68	F1
TACHOMETER	56	D4
TAILLIGHT K	106	F5
TAILLIGHT K1-76	112	F8
TRANSMISSION	80	C3
TURN SIGNAL K	106	F5
TURN SIGNAL K1-76	112	F8
WASHER (CRANKCASE)	48	C12
WHEEL FR	70	D11
WHEEL RR	70	D11
WIRE HARNESS	118	F11

GRID

C9

CARBURETOR



F13374007

Ref. No.	BLOCK NO. DESCRIPTION	E-7	C		ENGINE SERIAL NUMBER FROM TO	QTY	REQ	PART NUMBER	HONDA CODE
			K	K1					
			K	K1	6				
1	GASKET SET		K	K1	6	4	16010-323-004	0309492	
4	GASKET SET		K	K1	6	4	16010-323-305	4344495	
2	VALVE SET, FLOAT		K	K1	6	4	16011-329-004	0292938	
3	NEEDLE SET, JET		K	K1	6	4	16012-323-004	0310029	
4	FLOAT SET		K	K1	6	4	16013-329-004	0277947	
5	TOP SET		K	K1	6	4	16014-323-004	0310409	
6	CHAMBER SET A, FLOAT		K	K1	6	2	16015-323-004	0310649	
7	SCREW SET A		K	K1	6	1	16016-323-004	0310896	
	SCREW SET A		K		6	4	16016-390-004	0414011	
8	ARM SET A, LINK		K	K1	6	2	16018-323-004	0310938	
9	CHAMBER SET B, FLOAT		K	K1	6	2	16023-323-004	0311266	
10	SCREW SET B		K	K1	6	1	16028-323-004	0311472	
11	HOLDER SET A, ADJ.		K	K1	6	1	16029-323-004	0300301	
12	HOLDER SET B, ADJ.		K	K1	6	1	16030-323-004	0300319	
13	ARM SET B, LINK		K	K1	6	2	16031-323-004	0311480	
14	PLATE SET, STAY		K	K1	6	1	16035-323-004	0311571	
	PLATE SET, STAY		K		6	1	16035-390-004	0414029	
15	TUBE SET, PROTECT		K	K1	6	1	16036-323-004	0300343	
16	CARBURETOR ASSY.		K		6	1	16100-374-004	0362087	
	CARBURETOR ASSY.		K	K1	6	1	16100-374-014	0387597	
	CARBURETOR ASSY.		K		6	1	16100-374-024	0434852	
17	CARBURETOR ASSY., A		K	K1	6	1	16101-374-004	0390773	
18	CARBURETOR ASSY., B		K	K1	6	1	16102-374-004	0390781	
19	CARBURETOR ASSY., C		K	K1	6	1	16103-374-004	0390799	
20	CARBURETOR ASSY., D		K		6	1	16104-374-004	0390807	
21	VALVE, THROTTLE		K	K1	6	4	16111-323-004	0257642	
22	TUBE ASSY., OVER FLOW		K	K1	6	1	16290-323-000	0255315	
	TUBE ASSY., OVER FLOW		K		6	1	16290-323-010	0487959	
23	SCREW, PAN, 3X10		K	K1	6	8	93500-03010-0A	0172288	
24	SCREW, PAN, 4X12		K	K1	6	16	93500-04012-0A	0169466	
25	SCREW, PAN, 5X12		K	K1	6	2	93500-05012-0A	0173567	
26	SCREW, PAN, 5X16		K	K1	6	8	93500-05016-0A	0145557	

CONTENTS

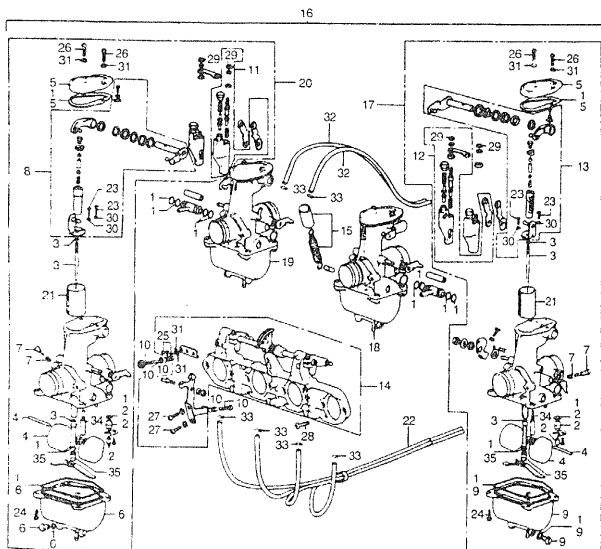
TITLE	PAGE GRID
AIR CLEANER	78 E3
ALTERNATOR	24 B12
BOLT	48 C12
BRAKE MASTER FR	132 G6
CABLE	50 D1
CAMSHAFT	10 B5
CARBURETOR	44 C10
CLUTCH	16 B8
CRANKCASE	40 C8
CRANKCASE COVER	16 B8
CRANKSHAFT	10 B5
CYLINDER	2 B1
CYLINDER	132 G6
EXHAUST MUFFLER	90 E9
FENDER FR	62 D7
FRAME	118 F13
FUEL TANK	78 E3
HANDLEBAR	50 D1
HEAD	2 B1
HEADLIGHT	56 D4
KICK STARTER SPINDLE	30 C3
KICK STARTER SPINDLE	40 C8
OIL FILTER	24 B2
OIL PUMP	98 F1
SHOCK ABSORBER FR	50 D4
SPEEDOMETER	62 D7
STEERING STEM	90 E9
STEP	98 F1
SWINGARM	56 D4
TACHOMETER	106 F5
TAILLIGHT K	112 F8
TAILLIGHT K1-76	30 C3
TRANSMISSION	106 F5
TURN SIGNAL K	112 F8
TURN SIGNAL K1-76	48 C12
WHEEL FR	70 D11
WHEEL RR	70 D11
WIRE HARNESS	118 F13

www.ClassicCycles.org

CB550 ENGINE NO.; CB550E-1000001 TO SUBSEQUENT
 CB550 FRAME NO.; CB550K-1000001 TO SUBSEQUENT
 CB550K1 ENGINE NO.; CB550E-1029182 TO SUBSEQUENT
 CB550K1 FRAME NO.; CB550K-1200001 TO SUBSEQUENT

CB550K176 ENGINE NO.; CB550E-1067334 TO SUBSEQUENT
 CB550K176 FRAME NO.; CB550K-1230001 TO SUBSEQUENT

CARBURETOR



E13074067

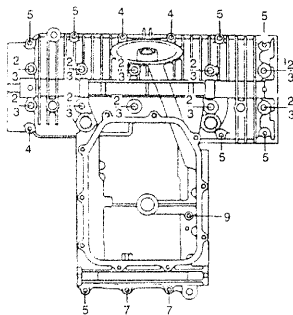
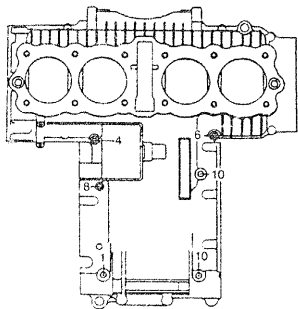
K = CB550
 K1 = CB550K1
 6 = CB550K76

Ref No	BLOCK NO. DESCRIPTION	E-7	CB550		ENGINE SERIAL NUMBER	QTY	PART NUMBER	HONDA CODE
			K	6				
27	SCREW, PAN, 6X12		K	K1	6	2	93500-06012	0057422
	SCREW, PAN, 6X12		K	K1	6	2	93500-06012-0A	0182360
	SCREW, PAN, 6X12		K	K1	6	2	93500-06012-00	2711489
28	SCREW, FLAT, 6X16		K	K1	6	8	93600-06016	0055798
	SCREW, FLAT, 6X16		K	K1	6	8	93600-06016-0A	0805358
29	NUT, HEX., 5MM		K	K1	6	4	94001-05000-0S	0156885
30	WASHER, SPRING, 3MM		K	K1	6	8	94111-03000	0058941
31	WASHER, SPRING, 5MM		K	K1	6	10	94111-05000	0058966
32	TUBE, 3,5X330 (BULK HOSE: 95001-35003-40M)		K	K1	6	2	95001-35330-40	0292433
33	CLIP, TUBE, B7		K	K1	6	6	95002-02070	0250639
34	JET, SLOW (=38)		K	K1	6	4	99124-076-0380	0179770
35	JET, SECONDARY MAIN (=100)		K	K1	6	4	99202-601-1000	0312264

CONTENTS

TITLE	PAGE	GRID
AIR CLEANER	78	E3
ALTERNATOR	24	B12
BOLT	48	C12
BRAKE MASTER FR	132	G6
CABLE	50	D1
CAMSHAFT	10	F5
CARBURETOR	44	C10
CLUTCH	16	B6
CRANKCASE	40	C8
CRANKCASE COVER	16	B8
CRANKSHAFT	10	B6
CYLINDER	2	B1
CYLINDER	132	G6
EXHAUST MUFFLER	90	F9
FENDER FR	62	D7
FRAME	118	F11
FUEL TANK	78	E3
HANDLEBAR	50	D1
HEAD	2	B1
HEADLIGHT	56	D4
KICK STARTER SPINDLE	30	C3
OIL FILTER	40	C8
OIL PUMP	24	B12
SHOCK ABSORBER FR	98	F1
SPEEDOMETER	56	D4
STEERING STEM	62	D7
STEP	90	F9
SWINGARM	98	F1
TACHOMETEP	56	D4
TAILLIGHT K	106	F5
TAILLIGHT K1-76	112	F8
TRANSMISSION	30	C3
TURN SIGNAL K	106	F5
TURN SIGNAL K1-76	112	F8
WASHER (CRANKCASE)	48	C12
WHEEL FR	70	D11
WHEEL RR	70	D11
WIRE HARNESS	118	F11

BOLT • WASHER (CRANKCASE)



E15074068

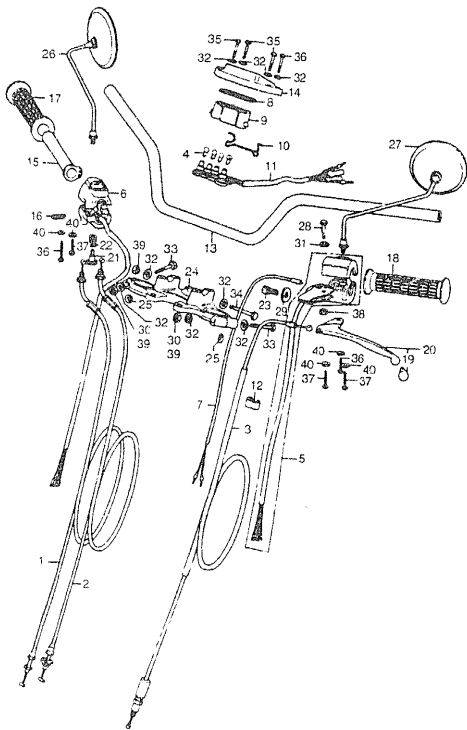
K = CB550
K1 = CB550K1
6 = CB550K76

Ref. No.	BLOCK NO. DESCRIPTION	E-B	K			ENGINE SERIAL NUMBER FROM TO	QTY REQD	PART NUMBER	HONDA CODE
			K	K1	6				
1	BOLT, FLANGE, 8x145		K	K1	6		1	90011-323-000	0292342
2	BOLT, HEX., 8x100		K	K1	6		10	90084-323-000	0255190
3	WASHER, THRUST, 14MM		K	K1	6		10	90485-035-000	0070979
4	BOLT, FLANGE, 6x32		K	K1	6		4	95700-06032-00	0484477
	BOLT, FLANGE, 6x32		K	K1	6		4	95701-06032-00	2105856
5	BOLT, FLANGE, 6x40		K	K1	6		7	95700-06040-00	0483966
	BOLT, FLANGE, 6x40		K	K1	6		7	95701-06040-00	2410942
6	BOLT, FLANGE, 6x50		K	K1	6		1	95700-06050-00	0483974
	BOLT, FLANGE, 6x50		K	K1	6		1	95701-06050-00	2410975
7	BOLT, FLANGE, 6x55		K	K1	6		2	95700-06055-00	0483982
	BOLT, FLANGE, 6x55		K	K1	6		2	95701-06055-00	2533834
8	BOLT, FLANGE, 6x100		K	K1	6		1	95700-06100-00	0484022
	BOLT, FLANGE, 6x100		K	K1	6		1	95701-06100-00	2519742
9	BOLT, FLANGE, 6x105		K	K1	6		1	95700-06105-00	0496-30
10	BOLT, FLANGE, 8x100		K	K1	6		2	95700-08100-00	0488049
	BOLT, FLANGE, 8x100		K	K1	6		2	95701-08100-00	2533875

CONTENTS

TITLE	PAGE	GRID
AIR CLEANER	78	CJ
ALTERNATOR	24	B12
BOLT	48	C12
BRAKE MASTER FR	102	GE
CABLE	50	D1
CRANKSHAFT	10	B5
CARBURETOR	44	C10
CLUTCH	16	B8
CRANKCASE	40	C3
CRANKCASE COVER	16	B6
CRANKSHAFT	10	B5
CYLINDER	2	B1
CYLINDER	107	GE
EXHAUST MUFFLER	90	E9
FENDER FR	62	D7
FRAME	118	F11
FUEL TANK	78	E3
HANDLEBAR	60	D1
HEAD	2	B1
HEADLIGHT	58	D4
KICK STARTER SPINDLE	20	C1
OIL FILTER	40	C6
OIL PUMP	24	B12
SHOCK ABSORBER RR	98	F1
SPEEDOMETER	54	D2
STEERING STEM	62	D7
STEP	90	E9
SWINGARM	98	F1
TACHOMETER	58	D4
TAILLIGHT K	100	F5
TAILLIGHT K1-76	112	F8
TRANSMISSION	20	C1
TURN SIGNAL K	100	F5
TURN SIGNAL K1-76	112	F8
WASHER (CRANKCASE)	48	C12
WHEEL FR	70	D11
WHEEL RR	70	D11
WIRE HARNESS	118	F11

HANDLEBAR • CABLE



F12374001

Ref. No.	BLOCK NO. DESCRIPTION	F-1	C B S 5 5 0			FRAME SERIAL NUMBER	QTY REQ	PART NUMBER	HONDA CODE
			K	K1	6				
			K = CB550 K1 = CB550K1 6 = CB550K76						
1	CABLE COMP. A, THROTTLE		K	K1	6	-----	1	17910-300-040	0237172
	CABLE COMP. A, THROTTLE		K	K1	6	-----	1	17910-341-000	0273425
2	CABLE COMP. B, THROTTLE		K	K1	6	-----	1	17920-323-000	0254466
3	CABLE COMP., CLUTCH		K	K1	6	-----	1	22870-374-000	0362293
4	BULB, DASH (12V3.4W) (LMASEN)		K	K1	6	-----	4	34902-259-000	0044909
5	SWITCH ASSY., TURN SIGNAL HORN		K	---	---	-----	1	35250-341-678	0314815
	SWITCH ASSY., TURN SIGNAL HORN		K	K1	---	-----	1	35200-374-671	0387779
	SWITCH ASSY., TURN SIGNAL		---	6	---	-----	1	35200-341-910	0435180
6	SWITCH ASSY., LIGHTING KILL		K	---	---	-----	1	35300-341-671	0314823
	SWITCH ASSY., STARTER KILL		---	K1	---	-----	1	35150-374-671	0387761
	SWITCH ASSY., STARTER KILL		---	6	---	-----	1	35130-341-910	0435172
7	SWITCH ASSY., CLUTCH LEVER		K	K1	6	-----	1	35360-341-000	0314831
8	BASE, LAMP SOCKET		K	K1	6	-----	1	37576-323-000	0254730
9	SOCKET, PILOT LAMP		K	K1	6	-----	1	37577-341-000	0273581
10	SPRING, LAMP SOCKET SETTING		K	K1	6	-----	1	37579-341-010	0273599
11	CORD COMP., PILOT LAMP		K	---	---	-----	1	37581-323-000	0254763
	CORD COMP., PILOT LAMP		---	K1	6	-----	1	37581-374-670	0387803
12	CLIP, FP. BRAKE CABLE		K	K1	6	-----	1	45465-341-700	0314971
13	HANDLEBAR		K	K1	6	-----	1	53100-374-000	0362749
	HOLDER, UPPER		K	---	---	-----	1	53133-323-010	0291344
	HOLDER, UPPER		---	K1	6	-----	1	53133-374-670	0387845
15	PIPE, THROTTLE GRIP		K	K1	6	-----	1	53141-300-010	0237586
16	ADJUSTER, THROTTLE GRIP		K	---	---	-----	1	53163-300-020	0257253
17	GRIP, R. HANDLEBAR		K	K1	6	-----	1	53165-342-670	0268391
18	GRIP, L. HANDLEBAR		K	K1	6	-----	1	53166-342-670	0268409
19	CAP, CONTROL LEVER		K	---	---	1022172	1	53180-286-000	0178335
	CAP, CONTROL LEVER		K	---	---	1022172	1	95010-16000	0300947
	CAP A, LEVER		K	---	---	1022172	1	95010-16001	4225710
20	LEVER COMP., L. HANDLE		K	---	---	1022172	1	53190-286-670	0182790
	LEVER COMP., L. HANDLE		K	---	---	1022172	1	53190-329-000	0282236
	LEVER COMP., L. HANDLE		K	K1	6	-----	1	53190-329-000	0282236
	LEVER COMP., L. HANDLE		K	---	---	1022172	1	53190-329-010	0381194
	LEVER COMP., L. HANDLE		K	K1	6	-----	1	53190-329-010	0381194

AMERICAN HONDA MOTOR CO. LTD. 1994 51

CONTENTS

TITLE	PAGE	GRID
AIR CLEANER	76	E3
ALTERNATOR	24	B12
BOLT	48	C12
BRAKE MASTER CYL. FR	132	G6
CABLE	56	D1
CAMSHAFT	16	B5
CARBURETOR	44	C10
CLUTCH	16	B8
CRANKCASE	132	G6
CRANKCASE COVER	16	B8
CRANKSHAFT	15	B5
CYLINDER	2	B1
CYLINDER	132	G6
EXHAUST MUFFLER	90	E9
FENDER FR	62	D7
FRAME	118	F11
FUEL TANK	56	D1
HANDLEBAR	56	D1
HEAD	2	B1
HEADLIGHT	56	D4
KICK STARTER SPINDLE	30	C3
OIL FILTER	40	C4
OIL PUMP	24	B12
SHOCK ABSORBER FR	68	F1
SPEEDOMETER	56	D4
STEERING STEM	62	D7
STEP	90	E9
SWINGARM	98	F1
TACHOMETER	56	D4
TAILLIGHT K	106	F5
TAILLIGHT K1-76	112	F8
TRANSMISSION	30	C3
TURN SIGNAL K	106	F5
TURN SIGNAL K1-76	112	F8
WASHER (CRANKCASE)	48	C12
WHEEL FR	70	D11
WHEEL RR	76	D11
WIRE HARNESS	118	F11

www.ClassicCycles.org

GRID

D1

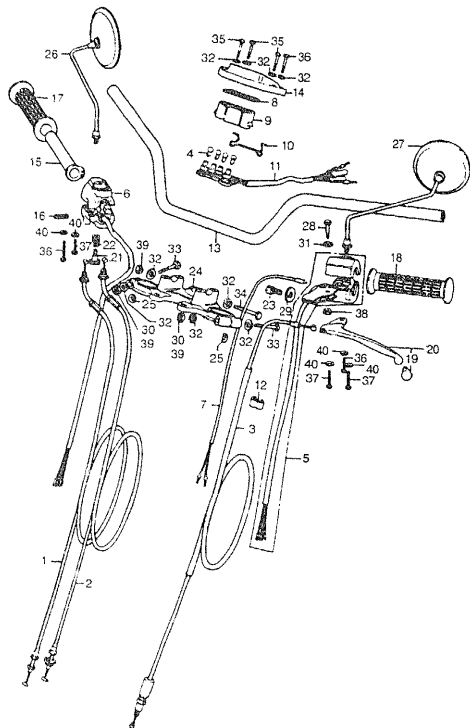
50 AMERICAN HONDA MOTOR CO. LTD. 1994

CB550 ENGINE NO.; CB550E-1000001 TO SUBSEQUENT
CB550 FRAME NO.; CB550K-1000001 TO SUBSEQUENT
CB550K1 ENGINE NO.; CB550E-1029182 TO SUBSEQUENT
CB550K1 FRAME NO.; CB550K-1200001 TO SUBSEQUENT

CB550K76 ENGINE NO.; CB550E-1067334 TO SUBSEQUENT
CB550K76 FRAME NO.; CB550K-1230001 TO SUBSEQUENT

D1

HANDLEBAR • CABLE



F19374001

K = CB550
K1 = CB550K1
6 = CB550K76

Ref. No.	BLOCK NO. DESCRIPTION	F-1	CB550		FRAME SERIAL NUMBER	QTY REQ	PART NUMBER	HONDA CODE
			K	K1				
20	LEVER COMP., L. HANDLE	---	---	---	1022172	1	53190-369-700	0365338
	LEVER COMP., L. HANDLE	---	---	---	1022172	1	53190-369-700	0365338
	LEVER COMP., L. HANDLE	---	---	---	1022172	1	53190-371-980	0456293
	LEVER COMP., L. HANDLE	---	---	---	1022172	1	53178-329-000	0424275
	LEVER COMP., L. HANDLE	---	---	---	1022172	1	53178-329-000	0424275
	LEVER COMP., L. HANDLE	---	---	---	1022172	1	53178-369-700	0487942
	LEVER COMP., L. HANDLE	---	---	---	1022172	1	53178-369-700	0487942
21	BOLT, THROTTLE GRIP ADJUSTING	---	---	---	---	1	53190-300-000	9236562
22	SPRING, THROTTLE ADJUSTING	---	---	---	---	1	53191-300-000	0237602
23	BOLT, CABLE ADJ.	---	---	---	---	1	53192-268-000	0047258
24	BRIDGE, FORK TOP	---	---	---	---	1	53230-323-010	0257287
	BRIDGE, FORK TOP	---	---	---	---	1	53230-323-305	0451336
	BRIDGE, FORK TOP	---	---	---	---	1	53230-323-020	0434985
25	SPACER, FORK TOP BRIDGE	---	---	---	---	2	53235-300-000	0194308
26	MIRROR, R.	---	---	---	---	1	88100-333-004	0297317
	MIRROR, R.	---	---	---	---	1	88110-333-611	0469429
	MIRROR, R.	---	---	---	---	1	88100-333-610	0418806
	MIRROR, R.	---	---	---	---	1	88100-371-980	0456558
27	MIRROR, L.	---	---	---	---	1	88120-333-004	0297325
	MIRROR, L.	---	---	---	---	1	88120-333-610	0418814
	MIRROR, L.	---	---	---	---	1	88120-333-611	0483750
28	BOLT, HANDLEBAR CONTROL LEVER PIVOT	---	---	---	---	1	90114-268-020	0051300
	BOLT, HANDLEBAR LEVER PIVOT	---	---	---	---	1	90114-310-000	0113647
29	NUT, FIXING	---	---	---	---	1	90321-315-670	0241273
	NUT, FIXING	---	---	---	---	1	90321-968-000	1550763
30	NUT, FLANGE, 7MM	---	---	---	---	2	90355-369-000	0423152
31	WASHER, 7X12	---	---	---	---	1	90501-310-000	0113654
32	WASHER, PLAIN, 8MM	---	---	---	---	10	90518-921-000	0255272
	WASHER, PLAIN, 8MM	---	---	---	---	2	90518-921-000	0255272
33	BOLT, HEX., 8X56	---	---	---	---	2	93000-08056-08	0256909
	BOLT, FLANGE, 7X54	---	---	---	---	2	90155-369-000	0422634
34	BOLT, HEX., 8X74	---	---	---	---	1	93000-08074-08	0256917
35	BOLT, HEX., 8X40	---	---	---	---	4	93100-08040-08	0256925

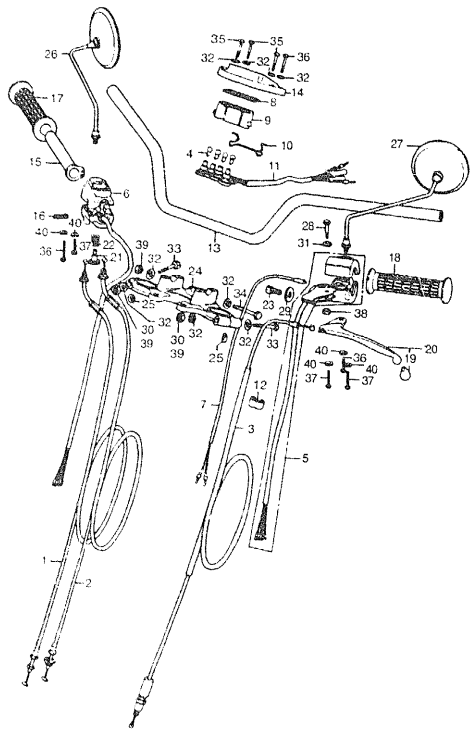
CONTENTS

TITLE	PAGE GRID
AIR CLEANER	78 E9
ALTERNATOR	24 B19
BOLT	48 C12
BRAKE MASTER FF.	132 G6
CABLE	50 D1
CAMSHAFT	10 B5
CARBURETOR	44 C10
CLUTCH	16 B8
CRANKCASE	40 C6
CRANKCASE COVER	16 B8
CRANKSHAFT	10 B5
CYLINDER	9 B1
CYLINDER	132 G6
EXHAUST MUFFLER	80 E9
FENDER FR.	62 D7
FRAME	118 F11
FUEL TANK	78 E3
HANDLEBAR	50 D1
HEAD	2 B1
HEADLIGHT	56 D4
KICK STARTER SPINDLE	30 C3
OIL FILTER	40 C8
OIL PUMP	24 B12
SHOCK ABSORBER FR.	98 F7
SPEEDOMETER	56 D4
STEERING STEM	62 D7
STEP	50 E9
SWINGARM	98 F1
TACHOMETER	56 D4
TAILLIGHT K	106 F5
TAILLIGHT K1-76	112 F8
TRANSMISSION	30 C3
TURN SIGNAL K	106 F5
TURN SIGNAL K1-76	112 F8
WASHER (CRANKCASE)	48 C12
WHEEL FR.	70 D11
WHEEL RR	70 D11
WIRE HARNESS	118 F11

GRID

D2

HANDLEBAR • CABLE



F 103141001

K = CB550
K1 = CB550K1
6 = CB550K76

Ref. No.	BLOCK NO. DESCRIPTION	F-1	CB550 K		FRAME SERIAL NUMBER	QTY REQ	PART NUMBER	HONDA CODE
			K	K1				
35	BOLT, HEX., 8X40		K	K1	---	4	93101-08040-0B	4314423
36	BOLT, FLANGE, 8X36		---	6	---	4	90111-362-000	0338293
37	SCREW, PAN, 5X25		K	K1	6	2	93500-05025-0A	0145565
38	SCREW, PAN, 5X32		K	K1	6	3	93500-05032-0A	0219923
39	NUT, HEX., 6MM		K	K1	6	1	90310-KA3-711	1553916
40	NUT, HEX., 6MM		K	K1	6	1	94000-06000-0S	1391283
	NUT, HEX., 6MM		K	K1	6	1	94001-06000	0058016
	NUT, HEX., 6MM		K	K1	6	1	94001-06000-0S	0156067
	NUT, HEX., 6MM		K	K1	6	1	94001-06008-0S	2829414
	NUT, HEX., 6MM		K	K1	6	1	94001-06200-0S	2043255
	NUT, HEX., 6MM		K	K1	6	1	94030-06000	1642693
39	NUT, HEX., 8MM		K	K1	---	3	94001-08020-0S	0145573
			---	6	---	1	94001-08020-0S	0145573
40	WASHER, SPRING, 5MM		K	K1	6	5	94111-05000	0058966

F AMERICAN HONDA MOTOR CO., LTD. 1984 55

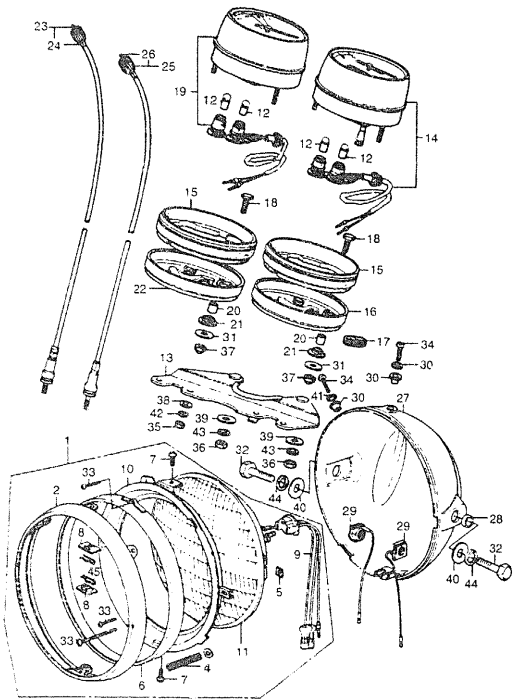
CONTENTS

TITLE	PAGE	GRID
AIR CLEANER	76	E1
AIR FILTER/VALVE	24	H12
BOLT	48	C12
BRAKE MASTER FR	132	G6
CABLE	50	D11
CAMSHAFT	10	B5
CARBURETOR	44	C10
CLUTCH	16	B8
CRANKCASE	40	C8
CRANKCASE COVER	14	B9
CRANKSHAFT	10	B5
CYLINDER	2	B1
CYLINDER	132	G6
EXHAUST MUFFLER	90	E9
FENDER FR	62	D7
FRAME	118	F11
FUEL TANK	76	E3
HANDLEBAR	50	D1
HEAD	2	B1
HEADLIGHT	56	D4
ROCK STARTER SPINDLE	30	C3
OR. FILTER	40	C8
OIL PUMP	24	H12
SHOCK ABSORBER FR	98	F1
SPEEDOMETER	56	D4
STEERING STEM	62	D7
STEP	90	E9
SWINGARM	98	F1
TACHOMETER	56	D4
TAILLIGHT K	106	F5
TAILLIGHT K1-76	112	F8
TRANSMISSION	30	C3
TURN SIGNAL K	106	F5
TURN SIGNAL K1-76	112	F8
WASHER (CRANKCASE)	48	C12
WHEEL FR	70	D11
WHEEL FR	70	D11
WIRE HARNESS	118	F11

GRID

D3

HEADLIGHT • SPEEDOMETER • TACHOMETER



F 13 374002

K = CB550
K1 = CB550K1
6 = CB550K76

Part No.	BLOCK NO. DESCRIPTION	F-2	CB550			FFRAME SERIAL NUMBER	QTY REQ	PART NUMBER	HONDA CODE
			K	1	6				
			FROM	TO					
1	HEADLIGHT ASSY. (12V 50/40W)	K	K1	6	-----	1	33100-341-701	0314690	
2	RIM, HEADLIGHT	K	K1	6	-----	1	33101-300-673	0191668	
3	SCREW, BEAM ADJ.	K	K1	6	-----	1	33103-309-003	0191676	
	SCREW, BEAM ADJ.	K	K1	6	-----	1	33103-346-670	0398242	
	SCREW, BEAM ADJ.	K	K1	6	-----	1	33103-371-980	0455576	
4	SPRING, HEADLIGHT BEAM ADJ.	K	K1	6	-----	1	33107-300-003	0191684	
5	NUT, HEADLIGHT BEAM ADJ.	K	K1	6	-----	1	33117-292-003	0146407	
6	RING, RETAINING	K	K1	6	-----	1	33121-300-672	0191692	
7	SCREW, UNIT HOLDER	K	K1	6	-----	2	33125-292-670	0146423	
8	NUT, UNIT HOLDER	K	K1	6	-----	2	33128-292-670	0182261	
9	SOCKET COMP., HEADLIGHT	K	K1	6	-----	1	33130-300-003	0191700	
	SOCKET COMP., HEADLIGHT	K	K1	6	-----	1	33130-341-701	0314708	
10	RING, SETTING	K	K1	6	-----	1	33153-300-671	0191718	
11	BEAM UNIT, SEALED	K	K1	6	-----	1	33321-341-701	0314716	
	BEAM UNIT, SEALED (12V50/40W STANLEY)	K	K1	6	-----	1	33321-371-672	0406090	
12	BULB, DASH (12V3.4W) (IMASEN) ...	K	K1	6	-----	4	34902-259-000	0044909	
13	PLATE, METER SET	K	K1	6	-----	1	37211-323-701	0362541	
	PLATE, METER SETTING	K	K1	6	-----	1	37211-341-700	0314849	
14	SPEEDOMETER ASSY. (MPH/KPH) (NIPPON SEIKI)	K	--	--	-----	1	37230-323-704	0362556	
	SPEEDOMETER ASSY. (MPH/KPH) (NIPPON DENSO)	K	--	--	-----	1	37230-323-705	0312710	
	SPEEDOMETER ASSY. (NIPPON SEIKI)	K	K1	--	-----	1	37200-374-671	0387787	
	SPEEDOMETER ASSY. (ND)	K	K1	--	-----	1	37200-374-672	0387795	
	SPEEDOMETER ASSY. (MPH)	--	--	6	-----	1	37200-390-771	0430371	
	SPEEDOMETER ASSY. (ND)	--	--	6	-----	1	37200-390-772	0430389	
15	RUBBER, SPEEDOMETER	K	K1	6	-----	2	37235-323-700	0312728	
16	PLATE, SPEEDOMETER UNDER	K	K1	6	-----	1	37236-323-700	0312736	
17	GROMMET, METER PLATE	K	K1	6	-----	1	37237-323-700	034864	
18	BOLT, INSTRUMENT SETTING 6MM	K	K1	6	-----	4	37238-323-700	0312744	
19	TACHOMETER ASSY. (NIPPON SEIKI)	K	K1	--	-----	1	37240-323-773	0362566	
	TACHOMETER ASSY. (ND)	K	K1	--	-----	1	37240-323-774	0312751	

CONTENTS

TITLE	PAGE GRID
AIR CLEANER	76 E3
ALTERNATOR	24 B12
BOLT	48 C12
BRAKE MASTER FR	132 G6
CABLE	50 D1
CAMSHAFT	10 E5
CARBURETOR	44 C10
CLUTCH	16 B8
CRANKCASE	40 G8
CRANKCASE COVER	16 B8
CRANKSHAFT	10 E5
CYLINDER	2 B1
CYLINDER	132 G6
EXHAUST MUFFLER	90 E9
FENDER FR	62 D7
FRAME	118 F11
FUEL TANK	76 E3
HANDLEBAR	50 D1
HEAD	2 B1
HEADLIGHT	56 D4
KICK STARTER SPINDLE	30 C3
OIL FILTER	40 C8
OIL PUMP	24 B12
SHOCK ABSORBER RR	96 F1
SPEEDOMETER	56 D4
STEERING STEM	62 D7
STEP	90 E9
SWINGARM	96 F1
TACHOMETER	56 D4
TAILLIGHT R	106 F5
TAILLIGHT K1-76	112 F8
TRANSMISSION	30 C3
TURN SIGNAL K	106 F5
TURN SIGNAL K1-76	112 F8
WASHER (CRANKCASE)	48 C12
WHEEL FR	70 D11
WHEEL RR	70 D11
WIRE HARNESS	118 F11

www.ClassicCycles.org

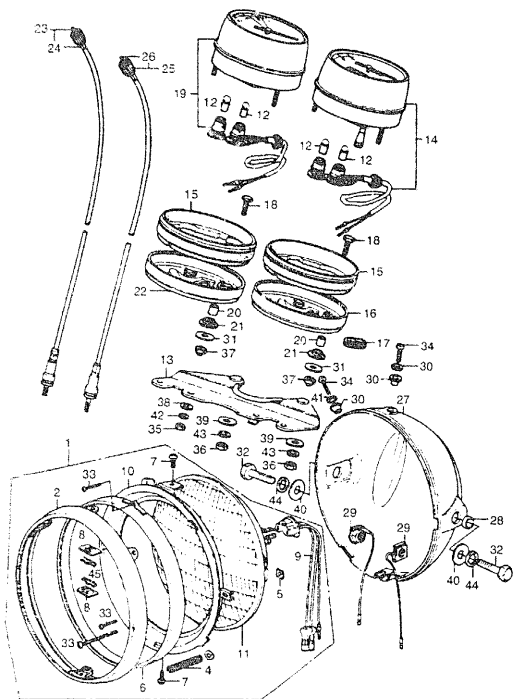
GRID **D4**

AMERICAN HONDA MOTOR CO. LTD. 1984
 CB550 ENGINE NO., CB550E-1000001 TO SUBSEQUENT
 CB550 FRAME NO., CB550K-1000001 TO SUBSEQUENT
 CB550K1 ENGINE NO., CB550E-1029182 TO SUBSEQUENT
 CB550K1 FRAME NO., CB550K-1200001 TO SUBSEQUENT

CB550K176 ENGINE NO., CB550E-1067334 TO SUBSEQUENT
 CB550K176 FRAME NO., CB550K-1230001 TO SUBSEQUENT

AMERICAN HONDA MOTOR CO. LTD. 1984

HEADLIGHT • SPEEDOMETER • TACHOMETER



F13374002

K = CB550
K1 = CB550K1
6 = CB550K76

Ref No.	BLOCK NO DESCRIPTION	F-2	CB550			FRAME SERIAL NUMBER	QTY REQ	PART NUMBER	HONDA CODE
			K	K1	6				
19	TACHOMETER ASSY. (NIPPON SEKI)	---	6	---	---	---	1	37250-390-771	0430397
	TACHOMETER ASSY. (ND)	---	6	---	---	---	1	37250-390-772	0430405
20	COLLAR, INSTRUMENT SETTING	K	K1	6	---	---	4	37243-323-700	0312769
21	RUBBER, METER SETTING	K	K1	6	---	---	4	37244-307-670	0196212
22	PLATE, TACHOMETER UNDER	K	K1	6	---	---	1	37246-323-700	0312777
23	CABLE ASSY., TACHOMETER	K	K1	---	---	1236357	1	37260-300-000	0191601
	CABLE ASSY., TACHOMETER	K	K1	---	---	1236357	1	37260-449-840	1097609
	CABLE ASSY., TACHOMETER	---	6	---	1236358	---	1	37260-149-000	1231877
	CABLE ASSY., TACHOMETER	---	6	---	1236358	---	1	37260-390-000	0402735
24	CABLE ASSY., TACHOMETER	K	K1	---	---	1236357	1	37260-300-000	0191601
	CABLE ASSY., TACHOMETER	K	K1	---	---	1236357	1	37260-300-000	0191601
	CABLE ASSY., TACHOMETER	K	K1	---	---	1236357	1	37260-449-840	1097609
	CABLE, TACHOMETER INNER	K	K1	---	---	1236357	1	37261-300-000	0312785
	CABLE, TACHOMETER INNER	---	6	---	1236357	---	1	37261-300-003	0312785
25	CABLE ASSY., SPEEDOMETER	K	K1	6	---	---	1	44830-323-000	0255570
	CABLE ASSY., SPEEDOMETER	---	K1	---	1222924	---	1	44830-323-000	0255570
	CABLE ASSY., SPEEDOMETER	K	K1	6	---	---	1	44830-346-000	0270355
	CABLE ASSY., SPEEDOMETER	---	K1	---	1222924	---	1	44830-346-000	0270355
	CABLE ASSY., SPEEDOMETER	K	K1	6	---	---	1	44830-425-870	0757674
	CABLE ASSY., SPEEDOMETER	---	K1	---	1222924	---	1	44830-425-870	0757674
	CABLE ASSY., SPEEDOMETER	---	6	---	1222924	---	1	44830-390-000	0402784
	CABLE ASSY., SPEEDOMETER	---	K1	6	---	---	1	44830-323-000	0255570
26	CABLE ASSY., SPEEDOMETER	K	K1	6	---	---	1	44830-329-000	0281774
	CABLE ASSY., SPEEDOMETER	K	K1	6	---	---	1	44830-346-000	0270355
	CABLE ASSY., SPEEDOMETER	K	K1	6	---	---	1	44830-369-000	0364877
	CABLE COMP., SPEEDOMETER	K	K1	6	---	---	1	44830-375-000	0383992
	CABLE ASSY., SPEEDOMETER	K	K1	6	---	---	1	44830-390-000	0402784
	CABLE ASSY., SPEEDOMETER	K	K1	6	---	---	1	44830-413-000	0495127
	CABLE ASSY., SPEEDOMETER	K	K1	6	---	---	1	44830-413-010	1068865
	CABLE ASSY., SPEEDOMETER	K	K1	6	---	---	1	44830-415-000	0669473
	CABLE ASSY., SPEEDOMETER	K	K1	6	---	---	1	44830-425-870	0757674

AMERICAN HONDA MOTOR CO. LTD. 1994 58

CONTENTS

TITLE	PAGE	GRID
AIR CLEANER	76	E5
ALTERNATOR	24	B12
BOLT	48	C12
BRAKE MASTER FR	132	D6
CABLE	59	D1
CAMSHAFT	10	B5
CARBURETOR	44	C10
CLUTCH	16	B6
CRANKCASE	40	C8
CRANKCASE COVER	16	B6
CRANKSHAFT	10	B5
CYLINDER	2	B1
CYLINDER	132	G6
EXHAUST MUFFLER	90	E9
FENDER FR	62	D7
FRAME	116	F11
FUEL TANK	18	E3
HANDLEBAR	50	D1
HEAD	2	B1
HEADLIGHT	56	D4
KICK STARTER SPINDLE	30	C3
OIL FILTER	40	C8
OIL PUMP	24	B12
SHOCK ABSORBER FR	99	F1
SPEEDOMETER	56	D4
STEERING STEM	62	D7
STEP	90	E9
SWINGARM	96	F1
TACHOMETER	56	D4
TAILLIGHT K	106	F5
TAILLIGHT K1-76	112	F8
TRANSMISSION	36	C2
TURN SIGNAL K	106	F5
TURN SIGNAL K1-76	112	F8
WASHER (CRANKCASE)	48	C12
WHEEL FR	70	D11
WIRE HARNESS	118	F11

www.ClassicCycles.org

GRID

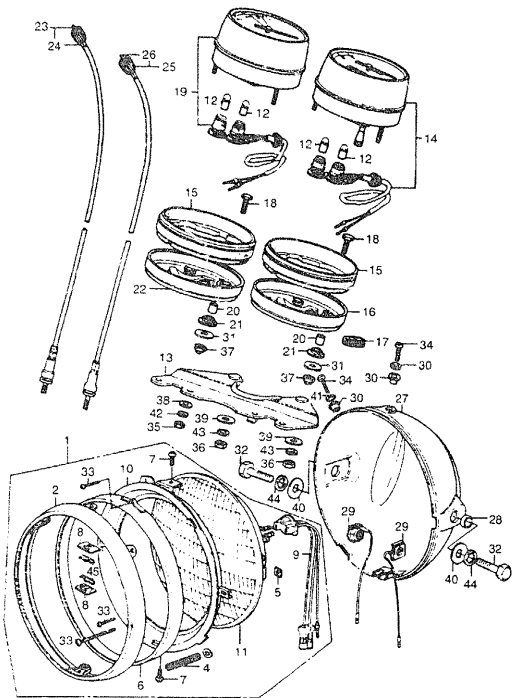
D5

AMERICAN HONDA MOTOR CO. LTD. 1994

CB550 ENGINE NO.; CB550E-1000001 TO SUBSEQUENT
CB550 FRAME NO.; CB550K-1000001 TO SUBSEQUENT
CB550K1 ENGINE NO.; CB550E-1029182 TO SUBSEQUENT
CB550K1 FRAME NO.; CB550K-1200001 TO SUBSEQUENT

CB550K176 ENGINE NO.; CB550E-1067334 TO SUBSEQUENT
CB550K176 FRAME NO.; CB550K-1230001 TO SUBSEQUENT

HEADLIGHT • SPEEDOMETER • TACHOMETER



F13374002

K = CB550
K1 = CB550K1
6 = CB550K76

Ref. No.	BLOCK NO. DESCRIPTION	F-2	CB550			FRAME SERIAL NUMBER		QTY REQ	PART NUMBER	HONDA CODE
			K	K1	6	FROM	TO			
			K	K1	6					
26	CABLE ASSY., SPE. DOMETER		K	K1	6	-----	-----	1	44830-446-000	0766972
	CABLE ASSY., SPEEDOMETER		K	K1	6	-----	-----	1	44830-463-000	0912220
	CABLE, SPEEDOMETER INNER		K	K1	6	-----	-----	1	44831-323-000	0312827
27	CASE, HEADLIGHT		K	K1	6	-----	-----	1	61301-300-0108	0258152
	CASE, HEADLIGHT		K	K1	6	-----	-----	1	61301-300-0208	0458570
28	COLLAR, HEADLIGHT CASE		K	K1	6	-----	-----	2	61302-300-000	0191734
29	WASHER, HEADLIGHT CASE		K	K1	6	-----	-----	2	61303-336-000	0268367
30	COLLAR, HEADLIGHT SETTING		K	K1	6	-----	-----	3	61304-292-000	0171514
31	WASHER, 6.5X18		K	K1	6	-----	-----	4	90545-323-700	0313163
32	BOLT, HEX., 10X25		K	K1	6	-----	-----	2	92000-10025-08	0166595
	BOLT, HEX., 10X25		K	K1	6	-----	-----	2	92101-10025-08	4544870
33	SCREW, 3X12		K	K1	6	-----	-----	2	93500-03012-38	0362921
34	SCREW, PAN, 5X16		K	K1	6	-----	-----	3	93500-05016-08	0192914
35	NUT, HEX., 6MM		K	K1	6	-----	-----	4	94001-06070	0313247
	NUT, HEX., 6MM		K	K1	6	-----	-----	4	94001-06070-05	0811059
36	NUT, HEX., 8MM		K	K1	6	-----	-----	2	94001-08000-05	0167338
37	NUT, CAP, 6MM		K	K1	6	-----	-----	4	94021-06020	0057893
38	WASHER, PLAIN, 6MM		K	K1	6	-----	-----	4	94101-06700	0294231
39	WASHER, PLAIN, 8MM		K	K1	6	-----	-----	4	94101-08200	0059105
40	WASHER, PLAIN, 10MM		K	K1	6	-----	-----	2	94101-10200	0059121
41	WASHER, SPRING, 5MM		K	K1	6	-----	-----	3	94111-05000	0058966
42	WASHER, SPRING, 6MM		K	K1	6	-----	-----	4	94111-06700	0294249
43	WASHER, SPRING, 8MM		K	K1	6	-----	-----	4	94111-08000	0058982
44	WASHER, SPRING, 8MM		K	K1	6	-----	-----	2	94111-10000	0059006
45	PIN, LOCK, 5MM		K	K1	6	-----	-----	2	94251-05000	0119305

AMERICAN HONDA MOTOR CO. LTD. 1994 61

CONTENTS

TITLE	PAGE	GRID
AIR CLEANER	76	F3
ALTERNATOR	24	B12
BOLT	48	C12
BRAKE MASTER FR.	129	G6
CABLE	50	D1
CAJMSHAFT	10	B5
CARBURETOR	44	C10
CLUTCH	16	B8
CRANKCASE	40	C8
CRANKCASE COVER	16	B8
CRANKSHAFT	10	B5
CYLINDER	2	B1
CYLINDER	132	G6
EXHAUST MUFFLER	96	E9
FENDER FR.	62	D7
FRAME	118	F11
FUEL TANK	78	E3
HANDLEBAR	50	D1
HEAD	2	B1
HEADLIGHT	56	D4
KICK STARTER SPINDLE	30	C3
OIL FILTER	40	C8
OIL PUMP	24	B12
SHOCK ABSORBER FR.	93	F1
SPEEDOMETER	56	D4
STEERING STEM	62	D7
STEP	90	E9
SWINGARM	58	F1
TACHOMETER	56	D4
TAILLIGHT K	106	F5
TAILLIGHT K1-76	112	F8
TRANSMISSION	30	C3
TURN SIGNAL K	106	F5
TURN SIGNAL K1-76	112	F8
WASHER (CRANKCASE)	48	C12
WHEEL FR.	70	D11
WIPE HARNESS	118	F11

AMERICAN HONDA MOTOR CO. LTD. 1994

CB550 ENGINE NO.; CB550E-1000001 TO SUBSEQUENT
CB550 FRAME NO.; CB550K-1000001 TO SUBSEQUENT
CB550K1 ENGINE NO.; CB550E-1129182 TO SUBSEQUENT
CB550K1 FRAME NO.; CB550K-1200001 TO SUBSEQUENT

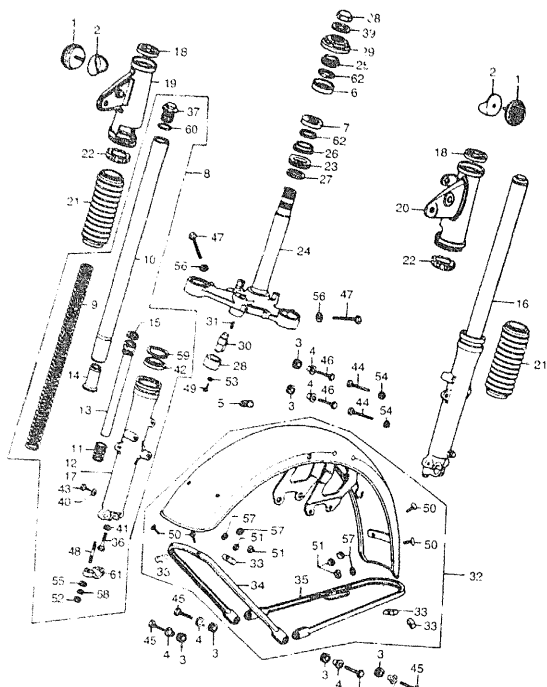
CB550K176 ENGINE NO.; CB550E-1067334 TO SUBSEQUENT
CB550K176 FRAME NO.; CB550K-1230001 TO SUBSEQUENT

D6

C/RD

D6

STEERING STEM • FRONT FENDER



F13374005

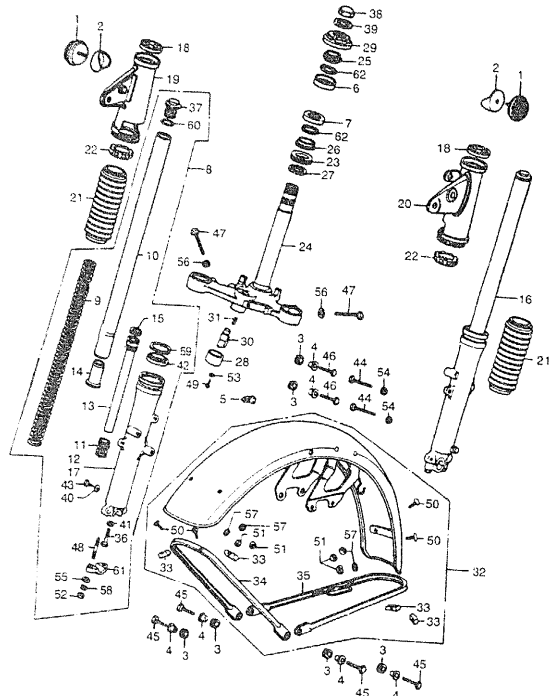
K = CB550
K1 = CB550K1
6 = CB550K76

Part No	BLOCK NO DESCRIPTION	F-3	CB550			FRAME SERIAL NUMBER	QTY	PART NUMBER	HONDA CODE
			K	1	6				
			K	1	6				
1	REFLECTOR, FR. REFLEX	K	K1	6	-----	2	33741-340-670	0265454
2	BASE, FR. REFLEX REFLECTOR	K	K1	6	-----	2	33743-341-670	0265615
3	RUBBER, CHAIN CASE SETTING	K	K1	6	-----	6	40513-310-000	0113324
4	COLLAR, CHAIN CASE	K	K1	6	-----	6	40514-310-000	0113332
5	GROMMET, CABLE	K	K1	6	-----	1	45451-283-000	0133272
6	RACE, STEERING UPPER BALL	K	K1	6	-----	1	50301-268-000	0101121
7	RACE, STEERING UPPER BALL	K	K1	6	-----	1	50301-268-010	1977669
8	RACE, STEERING LOWER BALL	K	K1	6	-----	1	50301-268-305	0043252
9	RACE, STEERING LOWER BALL	K	K1	6	-----	1	50302-268-000	0101147
10	RACE, STEERING LOWER BALL	K	K1	6	-----	1	50302-268-010	1977081
11	RACE, STEERING LOWER BALL	K	K1	6	-----	1	50302-268-305	0043257
8	FORK ASSY., R. FR.	K	---	---	-----	1	51400-374-003	0362673
			---	K1	---	-----	122	1024	0362673
	FORK ASSY., R. FR.	K	K1	6	-----	1	51400-374-013	0414326
			---	K1	---	-----	122	1024	0414326
9	SPRING, FR. FORK	K	K1	6	-----	2	51401-374-003	0362681
10	PIPE, FR. FORK	K	K1	6	-----	2	51410-374-003	0362699
11	SPRING, FR. FORK REBOUND	K	K1	6	-----	2	51412-340-000	0265587
12	CASE, R. FORK BOTTOM	K	K1	6	-----	1	51421-341-701	0315077
13	PIPE COMP., BOTTOM	K	K1	6	-----	2	51430-374-003	0362707
14	PIECE, DIL LOCK	K	K1	6	-----	2	51432-340-000	0265595
	PIECE, DIL LOCK	K	K1	6	-----	2	51432-357-000	0321455
15	RING, PISTON	K	K1	6	-----	2	51437-329-010	0293456
16	FORK ASSY., L. FR.	K	K1	6	-----	1	51500-374-013	0416750
17	CASE, L. FR. FORK LOWER	K	K1	6	-----	1	51521-341-701	0315101
18	RUBBER, FR. FORK UPPER COVER	K	K1	6	-----	2	51601-323-000	0255091
19	COVER, R. FR. FORK UPPER	K	K1	6	-----	1	51602-374-000	0362723
20	COVER, L. FR. FORK UPPER	K	K1	6	-----	1	51606-374-000	0362731
21	BOOT, FR. SHOCK	K	K1	6	-----	2	51611-300-000	0194985
22	RUBBER, FR. FORK COVER	K	K1	6	-----	2	51622-323-000	025125
23	DUST SEAL, STEERING HEAD	K	K1	6	-----	1	53124-250-000	0046045
	DUST SEAL, STEERING HEAD	K	K1	6	-----	1	53214-250-000	0367482
24	STEM COMP., STEERING	K	K1	6	-----	1	53200-327-020B	0278622

CONTENTS

TITLE	PAGE	GRID
AIR CLEANER	76	E3
AXLE TUBE CAP	24	F12
BEAR	48	C12
BEAR, MASTER FR	157	G4
CABLE	50	D1
CRANKSHAFT	19	B5
CRANKSHAFT (LARKER) FOR	45	E10
CLUTCH	76	B8
CRANKCASE	45	C8
CRANKCASE COVER	74	B8
CRANKSHAFT	19	B5
CYLINDER	2	B1
CYLINDER	157	G4
EXHAUST MUFFLER	46	D7
FENDER FR	67	D7
FRAME	116	F11
FUEL TANK	79	E1
HANDLEBAR	55	D1
HEAD	2	B1
HEADLIGHT	56	D4
KICK STARTER SPINDLE FOR FEET	30	C3
OR PUMP	24	B17
OR PUMP	24	B17
SHOCK ABSORBER FR	80	F1
SPEEDOMETER	56	D4
STEERING STEM	62	D7
SWIP	90	E9
SWINGARM	98	F1
TACHOMETER	56	D4
TAILLIGHT R	78	E4
TAILLIGHT R176	112	F8
TRANSMISSION	30	C3
TURN SIGNAL R	106	F6
TURN SIGNAL R176	112	F8
WASHER (CRANKCASE)	48	C12
WHEEL FR	70	D11
WHEEL REA	70	D11
WIRE HARNESS	716	F11

STEERING STEM • FRONT FENDER



F13374903

K = CB550
 K1 = CB550K1
 6 = CB550K76

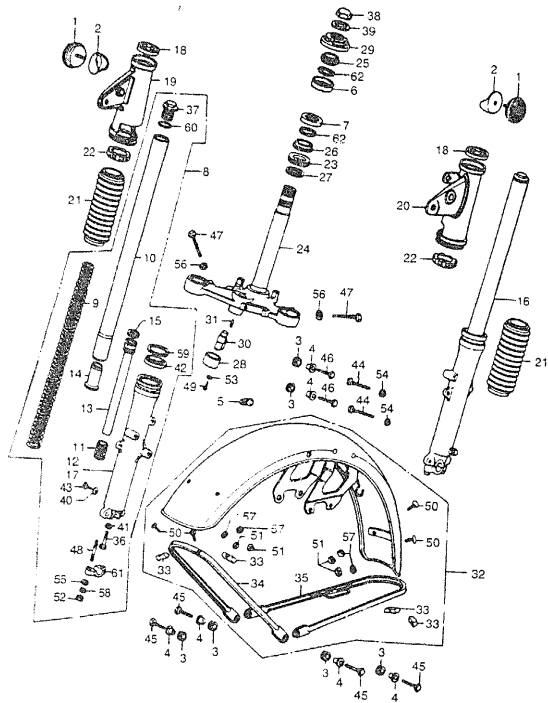
Ref. No.	BLOCK NO. DESCRIPTION	F-3	CB550			FRAME SERIAL NUMBER		QTY REQ	PART NUMBER	HONDA CODE
			K	K1	6	FROM	TO			
			K	K1	6					
25	RACE, STEERING UPPER CONE	K	K1	6	-----	-----	1	53211-268-000	0102251
	RACE, STEERING UPPER CONE	K	K1	6	-----	-----	1	53211-268-010	1977677
	RACE, STEERING UPPER CONE	K	K1	6	-----	-----	1	53211-268-305	0045997
26	RACE, STEERING LOWER CONE	K	K1	6	-----	-----	1	53212-250-000	0102269
	RACE, STEERING LOWER CONE	K	K1	6	-----	-----	1	53212-250-010	1977131
	RACE, STEERING LOWER CONE	K	K1	6	-----	-----	1	53212-250-305	0046003
27	WASHER, STEERING HEAD DUST SEAL	..	K	K1	6	-----	-----	1	53215-250-000	0046052
28	COVER COMP., HANDLEBAR LOCK CASE	..	K	K1	6	-----	-----	1	53215-317-000	0238394
29	THREAD COMP., STEERING HEAD UPPER	..	K	K1	6	-----	-----	1	53220-286-000	0154708
30	LOCK COMP., HANDLEBAR LOCK	K	K1	6	-----	-----	1	35010-230-010	0136168
	LOCK COMP., HANDLEBAR (TOYO)	Y	K1	6	-----	-----	1	53600-230-000	0137844
31	SPRING, HANDLEBAR LOCK	K	K1	6	-----	-----	1	53631-268-020	0045971
32	FENDER COMP., FR.	K	K1	6	-----	-----	1	61100-341-700XW	0315176
33	PIECE, FENDER MOUNT	K	K1	6	-----	-----	4	61102-300-000	0195081
34	STAY A, FR. FENDER	K	K1	6	-----	-----	1	61111-341-700	0315184
35	STAY B, FR. FENDER	K	K1	6	-----	-----	1	61112-341-700	0315192
36	BOLT, SOCKET, 8MM	K	K1	6	-----	-----	2	90116-283-010	0254169
	BOLT, SOCKET, 8MM (SHOWA)	K	K1	6	-----	-----	2	90116-383-721	0750919
37	BOLT, FR. FORK	K	K1	6	-----	-----	2	90123-300-000	0194992
38	NUT, STEERING STEM	K	K1	6	-----	-----	1	90304-323-670	0254185
	NUT, STEERING STEM	K	K1	6	-----	-----	1	95020-11300	037 60
39	WASHER, STEERING STEM	K	K1	6	-----	-----	1	90503-283-000	0076857
40	GASKET, FR. FORK DRAIN VALVE	K	K1	6	-----	-----	2	90543-273-000	0052209
41	WASHER, SPECIAL, 8MM	K	K1	6	-----	-----	2	90544-283-000	0259457
42	OIL SEAL, 35X48X11	K	K1	6	-----	-----	2	91255-300-025	0240853
		--	K1	--	1221024	-----	2	91255-300-025	0240853
	OIL SEAL, 35X48X11	K	K1	6	-----	-----	2	91255-KBH-003	4154134
		--	K1	--	1221024	-----	2	91255-KBH-003	4154134
	OIL SEAL, 35X48X11	K	K1	6	-----	-----	2	91255-MA6-013	3523867
		--	K1	--	1221024	-----	2	91255-MA6-013	3523867
	OIL SEAL, 35X48X11	K	K1	6	-----	-----	2	91255-300-033	0391359
		--	K1	--	1221024	-----	2	91255-300-033	0391359
	OIL SEAL, 35X48X11	K	K1	6	-----	-----	2	91255-323-013	0254227
		--	K1	--	1221024	-----	2	91255-323-013	0254227

CONTENTS

TITLE	PAGE	GRID
AIR CLEANER	76	E5
ALTERNATOR	24	B12
BOLT	48	C12
BRAKE MASTER FR	152	G6
CABLE	50	D1
CAMSHAFT	10	E6
CARBURETOR	44	C10
CLUTCH	16	B9
CRANKCASE	40	G6
CRANKCASE COVER	14	B8
CRANKSHAFT	10	B5
CYLINDER	2	B1
CYLINDER	152	G6
EXHAUST MUFFLER	90	E9
FENDER FR	62	D7
FRAME	116	F11
FUEL TANK	75	E9
HANDLEBAR	50	D1
HEAD	2	B1
HEADLIGHT	56	D4
KICK STARTER SPINDLE	39	C3
OIL FILTER	40	C8
OIL PUMP	24	B12
SHOCK ABSORBER RR	98	F4
SPEEDOMETER	56	D4
STEERING STEM	62	D7
STEP	30	E9
SWINGARM	98	F1
TACHOMETER	56	D4
TAILLIGHT K	106	F5
TAILLIGHT K1-76	112	F8
TRANSMISSION	30	C3
TURN SIGNAL K	106	F5
TURN SIGNAL K1-76	112	F8
WASHER (CRANKCASE)	48	C12
WHEEL FR	70	D11
WHEEL RR	70	D11
WIRE HARNESS	118	F11

CB550 ENGINE NO.; CB550E-1000001 TO SUBSEQUENT
 CB550 FRAME NO.; CB550K-1000001 TO SUBSEQUENT
 CB550K1 ENGINE NO.; CB550E-1029182 TO SUBSEQUENT
 CB550K1 FRAME NO.; CB550K-1209001 TO SUBSEQUENT

STEERING STEM • FRONT FENDER



F13374003

K = CB550
K1 = CB550K1
6 = CB550K76

Ref. No.	BLOCK NO. DESCRIPTION	F-S	CB550		CB550K1		FRAME SERIAL NUMBER FROM TO	QTY REQ	PART NUMBER	HONDA CODE
			K	6	K	6				
42	OIL SEAL, 35x48x11		K	K1	6	---	---	2	91255-434-003	0711515
			--	K1	--	---	1221024	2	91255-434-003	0711515
	OIL SEAL, 35x48x11		K	K1	6	---	---	2	91255-434-013	0918425
			--	K1	--	---	1221024	2	91255-434-013	0918425
43	BOLT, HEX., 5x10		K	K1	6	---	---	2	92000-06010	0054171
	BOLT, HEX., 6x10		K	K1	6	---	---	2	92101-06010-0A	3307048
44	BOLT, HEX., 6x16		K	K1	6	---	---	2	92000-06016	0654239
	BOLT, HEX., 6x16		K	K1	6	---	---	2	92000-06016-0A	0313197
	BOLT, HEX., 6x16		K	K1	6	---	---	2	92000-06016-1A	0915124
	BOLT, HEX., 6x16		K	K1	6	---	---	2	92100-06016-0A	1685726
	BOLT, HEX., 6x16		K	K1	6	---	---	2	92101-06016-0A	2479590
	BOLT, HEX., 6x16		K	K1	6	---	---	2	92200-06016-0A	1812400
45	BOLT, HEX., 6x20		K	K1	6	---	---	4	92000-06020	0054270
	BOLT, HEX., 6x20		K	K1	6	---	---	4	92101-06020-0A	2528925
46	BOLT, HEX., 6x25		K	K1	6	---	---	2	92000-06025	0054320
	BOLT, HEX., 6x25		K	K1	6	---	---	2	92101-06025-0A	2206563
47	BOLT, HEX., 10x35		K	K1	6	---	---	2	92000-10035-0A	0255356
			--	6	---	1243097	---	2	92000-10035-0A	0255356
	BOLT, FLANGE		--	6	---	1243098	---	2	95700-10035	0368654
	BOLT, FLANGE, 10x35		--	6	---	1243098	---	2	95700-10035-00	0487033
	BOLT, FLANGE, 10x35		--	6	---	1243098	---	2	95701-10035-00	3454147
48	BOLT, STUD, 8x50		K	K1	6	---	---	4	92700-08050-3B	0416966
	BOLT, STUD, 8x50		K	K1	6	---	---	4	92700-08050-30	0256383
	BOLT, STUD, 8x50		K	K1	6	---	---	4	92900-08028-3B	2892685
49	SCREW, PAN, 3x8		K	K1	6	---	---	1	93500-0308-0A	0198176
50	SCREW, OVAL, 5x20		K	K1	6	---	---	4	53700-05020-0B	0156497
51	NUT, HEX., 5MM		K	K1	6	---	---	4	94101-05010-0S	0156885
52	NUT, HEX., 8MM		K	K1	6	---	---	4	94010-08000	0114686
53	WASHER, PLAIN, 3MM		K	K1	6	---	---	1	94101-03000	0059030
	WASHER, PLAIN, 6MM		K	K1	6	---	---	2	94101-06000	0059071
	WASHER, PLAIN, 6MM		K	K1	6	---	---	2	94101-06080	3136074
	WASHER, PLAIN, 6MM		K	K1	6	---	---	2	94101-06800	0345900
55	WASHER, PLAIN, 8MM		K	K1	6	---	---	4	94101-08000	0059097

AMERICAN HONDA MOTOR CO. LTD. 1984 67

CONTENTS

TITLE	PAGE	GRID
AIR CLEANER	78	E3
ALTERNATOR	54	B12
BOLT	48	C12
BRAKE MASTER FR.	132	G6
CABLE	50	D1
CAMSHAFT	10	B5
CARBURETOR	44	C10
CLUTCH	16	B8
CRANKCASE	40	C8
CRANKCASE COVER	16	B8
CRANKSHAFT	10	B5
CYLINDER	2	B1
CYLINDER	132	G6
EXHAUST MUFFLER	80	E8
FENDER, FR.	62	D7
FRAME	118	F11
FUEL TANK	78	E3
HANDLEBAR	50	D1
HEAD	2	B1
HEADLIGHT	56	D4
KICK STARTER SPINDLE	30	C3
OIL FILTER	40	C8
OIL PUMP	24	B12
SHOCK ABSORBER, FR.	98	F1
SPEEDOMETER	56	D4
STEERING STEM	62	D7
STEP	90	E9
SWINGARM	98	F1
TACHOMETER	56	D4
TAILLIGHT K	106	F5
TAILLIGHT K1-76	112	F8
TRANSMISSION	30	C3
TURN SIGNAL K	108	F5
TURN SIGNAL K1-76	112	F8
WASHER (CRANKCASE)	48	C12
WHEEL, FR.	70	D11
WHEEL, FR.	70	D11
WIRE HARNESS	118	F11

GRID

D9

STEERING STEM • FRONT FENDER

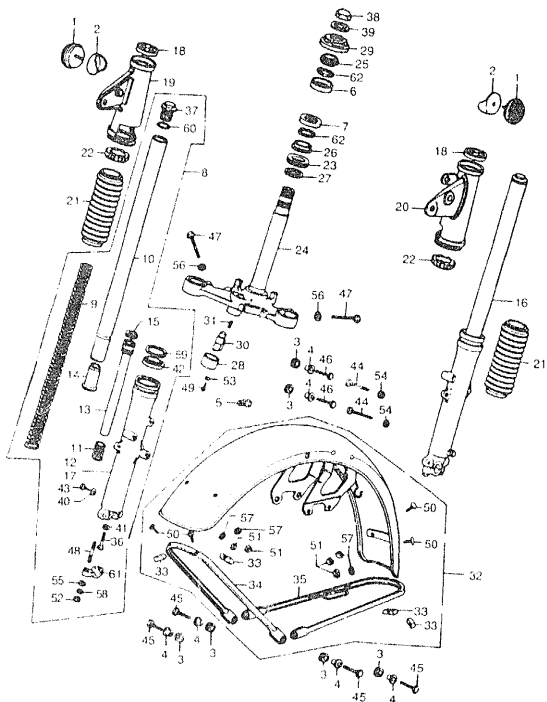


FIG. 1 (4/81)

K ~ CB550
 K1 ~ CB550K1
 6 ~ CB550K76

Part No.	BLOCK NO. DESCRIPTION	F-3	CB550		FRAME SERIAL NUMBER	QTY REQ	PART NUMBER	HONDA CODE
			K	K1				
			6	6				
56	WASHER, PLAIN, 10MM		K	K1	---	2	94102-10000	0172551
			K	K1	---	2	94102-10000	0172551
					1243097			
57	WASHER, SPRING, 5MM		K	K1	6	4	94111-05000	0058966
58	WASHER, SPRING, 8MM		K	K1	6	4	94111-08000	0058982
59	CIRCLIP, INTERNAL, 48MM		K	K1	6	2	94521-48000	0255349
60	O-RING, 23X2.8		K	K1	6	2	94608-50000	0255588
61	HOLDER 1C, FR. FORK AXLE		K	K1	6	2	95014-41000	0255653
62	BALL, STEEL, #8 (1/4)		K	K1	6	37	96211-08000	0079905

CONTENTS

TITLE	PAGE	GRID
AIR CLEANER	76	E7
ALTERNATOR	25	H12
BOAT	48	C12
ENGINE MASTER KEY	130	G6
SPARK	50	D1
CAMSHAFT	10	E5
CAMBURR TOR	44	C10
CLUTCH	16	B8
CRANKCASE	48	C8
CRANKCASE COVER	16	B8
CRANKSHAFT	10	E5
CYLINDER	2	B1
CYLINDER	135	G6
EXHAUST MUFFLER	98	E9
FENDER FR	62	D7
FRAME	138	F11
FUEL TANK	78	E3
HANDLE BAR	54	D7
HEAD	2	B1
HEADLIGHT	56	D4
REAR STEERING SPINDLE	30	C3
OIL FILTER	40	C8
OIL PUMP	24	H12
SHOCK ABSORBER FR	98	F1
SPROCKET FR	56	D4
STEERING STEM	60	D7
STEP	90	E9
SWINGARM	98	F1
TACHOMETER	56	D4
TAILLIGHT K	106	E5
TAILLIGHT K1-76	112	F8
TRANSMISSION	20	C3
TURN SIGNAL K	106	E5
TURN SIGNAL K1-76	112	F8
WASHER (CRANKCASE)	48	C12
WHEEL FR	70	D11
WHEEL FR	70	D11
WIRE HARNESS	118	F11

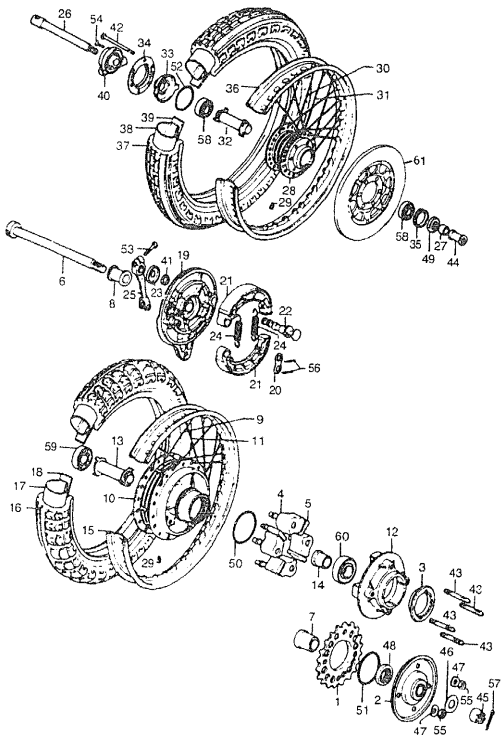
CB550 ENGINE NO.; CB550E-1000001 TO SUBSEQUENT
 CB550 FRAME NO.; CB550K-1000001 TO SUBSEQUENT
 CB550K1 ENGINE NO.; CB550E-1029182 TO SUBSEQUENT
 CB550K1 FRAME NO.; CB550K-1200001 TO SUBSEQUENT

CB550K76 ENGINE NO.; CB550E-1067534 TO SUBSEQUENT
 CB550K76 FRAME NO.; CB550K-1230001 TO SUBSEQUENT

CLASSIC CYCLES INC. 10044

www.ClassicCycles.org

FRONT WHEEL • REAR WHEEL



F13374004

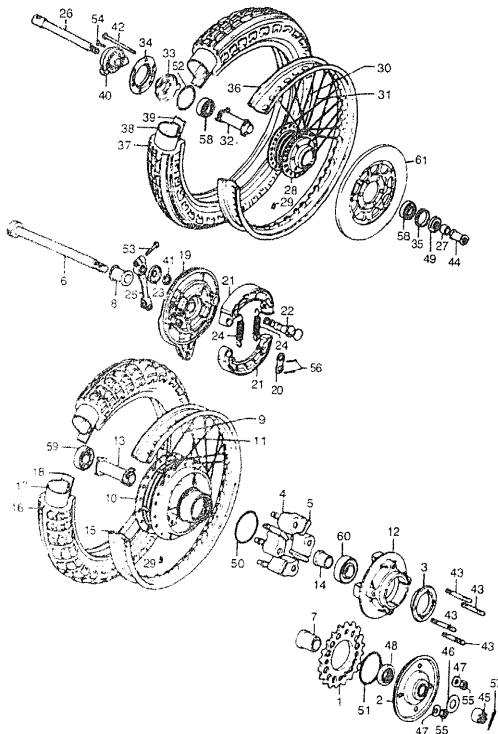
K = CB550
K1 = CB550K1
6 = CB550K76

Ref. No.	BLOCK NO. DESCRIPTION	F-4	CB550			FRAME SERIAL NUMBER		QTY	PART NUMBER	HONDA CODE
			K	K1	6	FROM	TO			
1	SPROCKET, FINAL DRIVEN (37T)		K	K1	6	-----	-----	1	41201-374-000	0762574
2	PLATE, SPROCKET SIDE		K	K1	6	-----	-----	1	41211-323-000	0257824
3	RETAINER, RR. WHEEL BEARING		K	K1	6	-----	-----	1	41231-323-020	0257832
4	DAMPER A, RR.		K	K1	6	-----	-----	4	41242-323-000	0257857
5	DAMPER B, RR.		K	K1	6	-----	-----	4	41243-323-000	0257840
6	AXLE, RR. WHEEL		K	K1	6	-----	-----	1	42301-300-010	0237339
7	COLLAR, RR. WHEEL SIDE		K	K1	6	-----	-----	1	42301-300-020	0468942
8	COLLAR, RR. BRAKE PANEL SIDE		K	K1	6	-----	-----	1	42311-323-040	0257865
9	SPOKE A, RR.		K	K1	6	-----	-----	20	42601-283-000	0078386
10	HUB COMP., RR. WHEEL		K	K1	6	-----	-----	1	42601-323-030	0257881
11	SPOKE B, RR.		K	K1	6	-----	-----	20	42604-283-000	0078394
12	FLANGE, FINAL DRIVEN		K	K1	6	-----	-----	1	42610-373-000	0255547
13	COLLAR, RR. AXLE DISTANCE		K	K1	6	-----	-----	1	42620-323-030	0257899
14	COLLAR B, RR. AXLE DISTANCE		K	K1	6	-----	-----	1	42625-283-000	0078436
15	RIM, RR. WHEEL (18) (DAIRO)		K	K1	6	-----	-----	1	42701-283-003	0078352
	RIM, RR. WHEEL (18) (DAIRO)		K	K1	6	-----	-----	1	42701-404-771	0700468
16	TIRE, RR. WHEEL		K	K1	6	-----	-----	1	42711-374-003	0362582
	TIRE, RR. (3.75S-18) (BS)		K	K1	6	-----	-----	1	42711-375-671	0415943
17	TUBE, TIRE (4.00-18) (BS)		K	K1	6	-----	-----	1	08400-34001	0722611
	TUBE, TIRE (4.00-18) (BS)		K1	6	-----	1224933	-----	1	08400-34001	0722611
	TUBE, TIRE (INDUE) (100/100-18)		K	K1	6	-----	-----	1	42712-K11-671	2305407
	TUBE, TIRE (4.00-18) (NITTO)		K	K1	6	-----	1224933	1	42712-K11-671	2305407
	TUBE, TIRE (4.00-18) (NITTO)		K	K1	6	-----	1224933	1	42712-340-006	0265884
	TUBE, TIRE (4.00-18) (NITTO)		K	K1	6	-----	1224933	1	42712-340-006	0265884
	TUBE, TIRE (3.75-18) (BS)		K	K1	6	-----	1224933	1	42711-374-003	0362590
	TUBE, TIRE (3.75-18) (BS)		K	K1	6	-----	1224933	1	42711-374-003	0362590
	TUBE, TIRE (4.10-18) (BS)		K	K1	6	-----	1224933	1	42712-400-003	15613-9
	TUBE, TIRE (4.10-18) (BS)		K	K1	6	-----	1224933	1	42712-400-003	15613-9
	TUBE, TIRE (4.00-18) (BS)		K	K1	6	-----	1224933	1	42712-425-003	0824656
	TUBE, TIRE (4.00-18) (BS)		K	K1	6	-----	1224933	1	42712-425-003	0824656
	TUBE, TIRE (4.00-18) (BS)		K	K1	6	-----	1224933	1	42712-435-003	0788877
	TUBE, TIRE (4.00-18) (BS)		K	K1	6	-----	1224933	1	42712-435-003	0788877

CONTENTS

TITLE	PAGE	GRID
AIR CLEANER	76	E3
ALTERATOR	24	B12
BOLT	48	C12
BRAKE MASTER FR	132	G6
CABLE	50	D1
CRANKSHAFT	10	B5
CARBURETOR	44	C10
CLUTCH	16	B8
CRANKCASE	48	C8
CRANKCASE COVER	16	B6
CRANKSHAFT	10	B5
CYLINDER	2	B1
CYLINDER	132	G6
EXHAUST MUFFLER	90	E9
FENDER FR	62	D7
FRAME	118	F11
FUEL TANK	78	E2
HANDLEBAR	58	D3
HEAD	2	R1
HEADLIGHT	56	D4
KICK STARTER SPINDLE	20	C2
OIL FILTER	40	C6
OIL PUMP	24	B10
SHOCK ABSORBER FR	98	F1
SPEEDOMETER	56	D4
STEERING STEM	62	D7
STEP	90	E9
SWINGARM	96	F1
TACHOMETER	56	D4
TAILLIGHT K	108	F3
TAILLIGHT K176	112	F8
TRANSMISSION	30	C3
TURN SIGNAL K	106	F5
TURN SIGNAL K176	112	F8
WASHER (CRANKCASE)	48	C10
WHEEL FR	70	D11
WHEEL RR	70	D11
WIRE HARNESS	118	F11

FRONT WHEEL • REAR WHEEL



F1374004

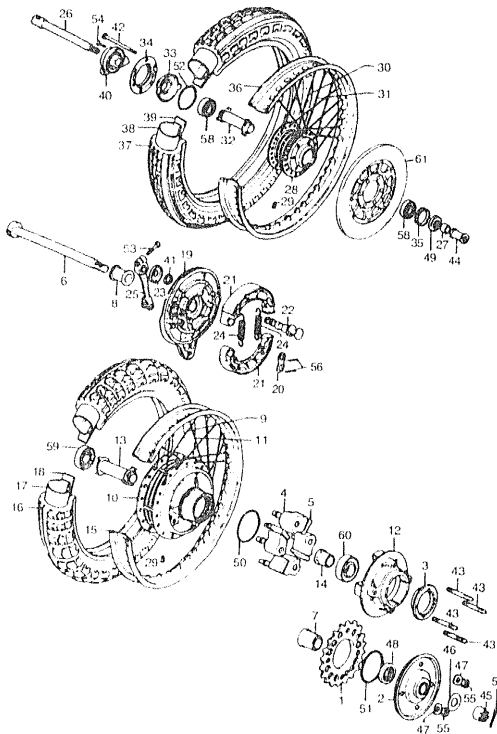
K = CB550
K1 = CB550K1
6 = CB550K76

Ref. No.	BLOCK NO. DESCRIPTION	F-4	CB550 K			FRAME SERIAL NUMBER FROM TO	QTY REQ	PART NUMBER	HONDA CODE
			K	K1	6				
17	TUBE, TIRE (3.25/3.50-19) (DUNLOP)		K	K1	6	-----	1	44712-300-004	1006477
			--	K1	6	1224933	1	44712-300-004	1006477
	TUBE, TIRE (4.00-18)		--	K1	6	1224933	1	42712-300-000	0191296
			--	K1	6	1224933	1	42712-300-000	0191296
	TUBE, TIRE (4.00-18) (BS)		--	K1	6	1224933	1	42712-300-003	0434258
			--	K1	6	1224933	1	42712-300-003	0434258
	TUBE, TIRE (4.00-18) (BS)		--	K1	6	1224933	1	42712-310-004	0113233
			--	K1	6	1224933	1	42712-310-004	0113233
	TUBE, TIRE (4.00-18) (BS)		--	K1	6	1224933	1	42712-312-003	0229351
			--	K1	6	1224933	1	42712-312-003	0229351
18	FLAP, TIRE (18) (BS)		K	K1	6	-----	1	42713-268-003	0049650
19	PANEL COMP., RR. BRAKE		K	K1	6	-----	1	43100-374-000	0362608
20	WASHER, ANCHOR PIN		K	K1	6	-----	1	43102-319-000	0212092
	WASHER, BRAKE ANCHOR PIN		K	K1	6	-----	1	43106-222-300	0033233
21	SHOE COMP., RR. BRAKE (SEE KIT P/N--END OF BLOCK)		K	K1	6	-----	2	43120-283-000	0078584
	SHOE COMP., RR. BRAKE (SEE KIT P/N--END OF BLOCK)		K	K1	6	-----	2	43120-404-003	0466991
	SHOE COMP., RR. BRAKE (SEE KIT P/N--END OF BLOCK)		K	K1	6	-----	2	43120-458-670	0398305
22	CAM, RR. BRAKE		K	K1	6	-----	1	43141-374-000	0362616
23	PLATE, BRAKE INDICATOR		K	K1	6	-----	1	43145-374-000	0362624
24	SPRING, RR. BRAKE SHOE		K	K1	6	-----	2	43151-346-000	0328286
25	ARM, RR. BRAKE		K	K1	6	-----	1	43411-374-000	0362632
26	AXLE, FR. WHEEL		K	K1	6	-----	1	44301-300-000	0194738
	AXLE, FR. WHEEL		K	K1	6	-----	1	44301-393-000	0445817
	AXLE, FR. WHEEL		K	K1	6	-----	1	44301-422-000	0693341
	AXLE, FR. WHEEL		K	K1	6	-----	1	44301-425-870	0757625
27	COLLAR, FR. WHEEL SIDE		K	K1	6	-----	1	44311-300-000	0193102
	COLLAR, FR. WHEEL SIDE		K	K1	6	-----	1	44311-371-980	0455873
28	HUB, FR. WHEEL		K	K1	6	-----	1	44601-300-040	0237347
29	BALANCER, WHEEL (20G)		K	K1	6	-----	AR	44606-283-000	0078022
	BALANCER, WHEEL (15G)		K	K1	6	-----	AR	44607-283-000	0089292
	BALANCER, WHEEL (10G)		K	K1	6	-----	AR	44608-283-000	0097300

CONTENTS

TITLE	PAGE	GRID
AIR CLEANER	78	E3
ALTERNATOR	24	B12
BOLT	48	C12
BRAKE MASTER FR	13	G6
CABLE	50	D1
CRANKSHAFT	10	B5
CARBURETOR	44	C10
CLUTCH	19	B8
CRANKCASE	40	C8
CRANKCASE COVER	16	B8
CRANKSHAFT	10	B5
CYLINDER	2	B1
CYLINDER	130	G6
EXHAUST MUFFLER	90	E9
FENDER FR	62	O7
FRAME	118	F11
FUEL TANK	78	E3
HANDLEBAR	50	D1
HEAD	2	B1
HEADLIGHT	56	O4
KICK STARTER SPINDLE	30	C1
OIL FILTER	40	C9
OIL PUMP	24	B2
SHOCK ABSORBER, RR	98	F1
SPEEDOMETER	56	O4
STEERING STEM	62	O7
STEP	90	E9
SWINGARM	96	F1
TACHOMETER	56	O4
TAILLIGHT K	106	F5
TAILLIGHT K1-76	112	F8
TRANSMISSION	30	C3
TURN SIGNAL K	106	F5
TURN SIGNAL K1-76	112	F8
WASHER (CRANKCASE)	48	C12
WHEEL FR	70	D11
WHEEL RR	70	D11
WIRE HARNESS	116	F11

FRONT WHEEL • REAR WHEEL



F 15430004

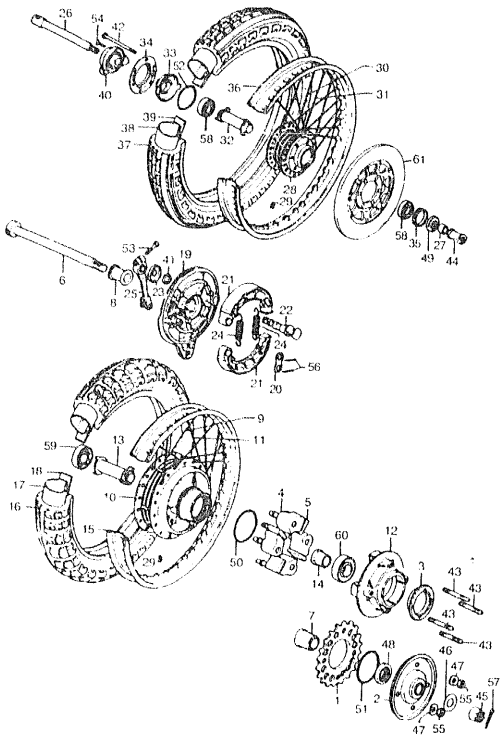
Ref No	BLOCK NO DESCRIPTION	F 4	CB550			SERIAL NUMBER FROM TO	Q T Y P R T C	FIT NUMBER	HONDA CODE
			K	K1	6				
			K	K1	6				
29	BALANCE, WHEEL (5G)		K	K1	6		AR	44609-283-000	0089316
30	SPOKE A, FR. (DAIDO)		K	K1	6		20	44606-300-003	0194753
	SPOKE BS, 8X.03		K	K1	6		20	97451-69246-10	0486365
31	SPOKE B, FR. (DAIDO)		K	K1	6		20	44607-500-003	0194761
	SPOKE BS, 8X20.5		K	K1	6		20	97811-69245-10	0486373
32	COLLAR, FR. AXLE DISTANCE		K	K1	6			44620-300-020	0194779
33	RETAINER, GEAR BOX		K	K1	--		1	44641-341-000	0273672
	RETAINER COMP., GEAR BOX		--	--	6		1	44641-375-000	0383984
34	COVER, GEAR BOX RETAINER		K	K1	6		1	44662-300-020	0241141
35	RETAINER, FR. WHEEL BEARING		K	K1	6		1	44643-300-000	0194803
36	RIM, FR. WHEEL (19) (DAIDO)		K	K1	6		1	44701-300-013	0194811
	RIM, FR. WHEEL		K	K1	6		1	44701-405-771	0688226
37	TIRE, FR. (3.25-19) (BS)		K	K1	--		1	44711-300-013	0286906
	TIRE, FR. (3.25H19)		K	K1	6		1	44711-341-003	0418103
	TIRE, FR. (3.25S-19) (BS)		K	K1	6		1	44711-375-671	0415950
38	TUBE, TIRE (3.25-19)		K	--	--		1	08400-31310	0450262
			--	K1	--	1224932	1	08400-31310	0450262
	TUBE, TIRE (3.00-19)		K	--	--		1	44712-290-000	0166264
			--	K1	--	1224932	1	44712-290-000	0166264
	TUBE, TIRE (3.25-19)		K	--	--		1	44712-300-000	0194837
			--	K1	--	1224932	1	44712-300-000	0194837
	TUBE, TIRE (3.25-19)		K	--	--		1	44712-310-004	0113746
			--	K1	--	1224932	1	44712-310-004	0113746
	TUBE, TIRE (3.25-19) (BS)		K	--	--		1	44712-312-003	0229377
			--	K1	--	1224932	1	44712-312-003	0229377
	TUBE, TIRE (2.75 3.00-19)		K	--	--		1	44712-401-681	0466987
			--	K1	--	1224932	1	44712-401-681	0466987
	TUBE, TIRE (19) (YOKOHAMA)		K	--	--		1	44712-413-009	0495101
			--	K1	--	1224932	1	44712-413-009	0495101
	TUBE, TIRE (3.25/3.50-19) (BS)		--	--	6		1	08400-37110	0646885
			--	K1	--	1224933	1	08400-37110	0646885
	TUBE, TIRE (3.25/3.50-19) (BS)		--	--	6		1	44712-507-003	0434266
			--	K1	--	1224933	1	44712-300-093	0434266
	TUBE, TIRE (3.50-19) (BS)		--	--	6		1	44712-571-003	0407155
			--	K1	--	1224933	1	44712-571-003	0407155

F 15430004

CONTENTS

TITLE	PAGE	P. 0
AXLE ASSEMBLY	78	1-2
ALTERNATOR	24	103
BIKE	40	132
FRONT MASTER LINK	137	436
FRAME	58	235
GEARSHAFT	10	185
GEARBOX HOUSING	45	130
GEUTCH	76	189
GEARCASE	63	236
GEARCASE COVER	16	180
GEARSHAFT	10	185
CYLINDER	2	101
CYLINDER	132	446
EXHAUST MUFFLER	90	134
FENDER	62	137
FOAM	119	133
FUEL TANK	70	133
HAND LEVER	59	133
HEAD	2	103
REAR LIGHT	76	182
REAR STRAIGHT SHIMMER	80	133
CRUISE LIGHT	40	130
CRUISE PUMP	24	103
SPRINKLER ASSEMBLY FOR	98	133
SPRINKLER TIE	96	133
STEERING STEM	62	137
SWITCH	90	139
SWITCHBOARD	98	133
TACHOMETER	96	134
TAIL LIGHT KIT	106	135
TAIL LIGHT KIT 76	112	138
THROTTLE CABLE	30	134
TURNSIGNAL KIT	106	135
TURNSIGNAL KIT 76	112	138
WASHER (GEARCASE)	40	132
WHEEL TIE	20	101
WHEEL TIE	53	131
WHEEL TUBES	138	133

FRONT WHEEL • REAR WHEEL



F 153-0018

K = CB550
 K1 = CB550K1
 6 = CB550K76

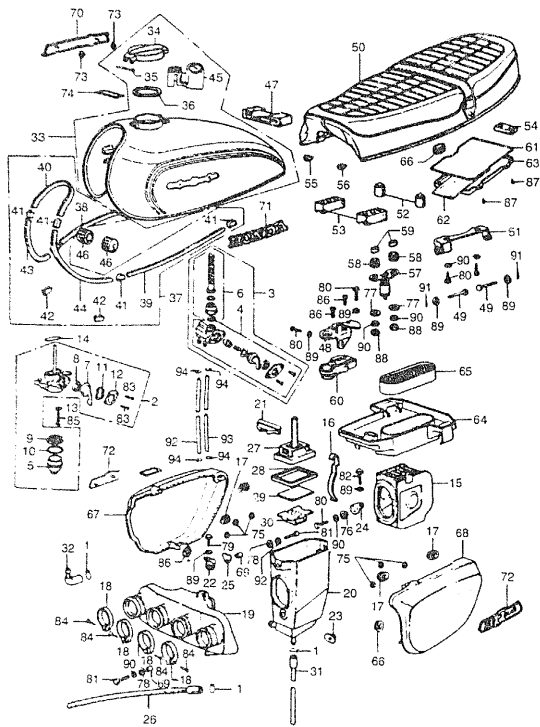
Ref No	BLOCK NO DESCRIPTION	F-4	C H I			FRAME SERIAL NUMBER FROM TO	QTY	PART NUMBER	HONDA CODE
			K	6	7				
39	FLAP, TIRE (19)		K	K1	6		1	44713-700-003	0194845
40	BOX ASSY., SPEEDOMETER GEAR		K	K1	6		1	44800-323-000	0257931
41	DUST SEAL, BRAKE CAM		K	K1	6		1	45134-250-000	0048393
42	BOLT, 8X102		K	K1	6		6	90122-300-020	0237297
43	BOLT, STUD, 10X48MM		K	K1	6		4	90125-523-000	0254351
44	NUT, FR. AXLE		K	K1	6		1	90305-300-000	0194878
	NUT, AXLE, 12MM		K	K1	6		1	90305-333-000	0297424
	NUT, AXLE, 12MM		K	K1	6		1	90306-425-870	0758409
45	NUT, RR. WHEEL AXLE		K	K1	6		1	90306-268-000	0051821
46	WASHER, 18.5X34		K	K1	6		1	90523-292-000	0144881
47	WASHER, TONGUED, 10MM		K	K1	6		4	90524-523-000	0254201
48	OIL SEAL, 34X55X9		K	K1	6		1	90753-283-000	0078956
49	DUST SEAL, 22X36X8		K	K1	6		1	91252-300-003	0194886
50	O-RING, 79X2.6		K	K1	6		1	91261-523-000	0256818
51	O-RING, 92X2		K	K1	6		1	91262-323-000	0256826
52	O-RING, 58X2		K	K1	6		1	91302-300-000	0240796
53	BOLT, HEX., 6X20		K	K1	6		1	92000-06020	0054270
	BOLT, HEX., 6X20		K	K1	6		1	92101-06020-0A	2528925
54	SCREW, OVAL, 5X15		K	K1	6		1	93700-05015-0A	0112250
	SCREW, OVAL, 5X16		K	K1	6		1	93700-05016-0A	0166975
55	NUT, HEX., 10MM		K	K1	6		4	94030-10000	0223024
56	PIN, COTTER 2.5MM		K	K1	6		2	94201-25200	0058404
	PIN, COTTER 2.5MM		K	K1	6		2	94201-25250	0165581
	PIN, COTTER 2.5MM		K	K1	6		2	94201-25500	0156091
57	PIN, COTTER 4.0X30		K	K1	6		1	94201-40300	0058461
58	BEARING, BALL, 6302U		K	K1	6		2	96140-63020	0084186
59	BEARING, RADIAL BALL, 6304U		K	K1	6		1	96140-63040-10	025779G
	BEARING, RADIAL BALL, 6305U		K	K1	6		1	96140-63050-10	0257808
61	DISK COMP., FR. BRAKE		K	K1	-		1	45120-523-020	0256248
	DISK COMP., FR. BRAKE		K	K1	-		1	45120-374-700	0434944
N1	BRAKE SHOE KIT		K	K1	6		1	06430-390-405	4357216
	BRAKE SHOE KIT		K	K1	6		1	43140-390-670	3528858

F 153-0018

CONTENTS

TITLE	PAGE	GROUP
ANTI-LOCKING	78	E3
ASSEMBLY	24	E2
BEET	40	E1
BRAND MACHINERY	132	G4
CABLE	50	E2
CAMSHAFT	3	E5
CARBURETOR	44	E10
CLUTCH	76	E8
CONNECTOR	40	E2
CONNECTOR	76	E8
CONNECTOR	44	E5
COVER	2	E5
COVER	132	G4
COVER	300	E3
FLUID	62	E7
FLAME	138	E11
FRONT LIGHT	29	E5
FRONT LIGHT	50	E2
FRONT LIGHT	2	E5
FRONT LIGHT	56	E2
FRONT LIGHT	80	E2
FRONT LIGHT	100	E2
FRONT LIGHT	120	E2
FRONT LIGHT	140	E2
FRONT LIGHT	160	E2
FRONT LIGHT	180	E2
FRONT LIGHT	200	E2
FRONT LIGHT	220	E2
FRONT LIGHT	240	E2
FRONT LIGHT	260	E2
FRONT LIGHT	280	E2
FRONT LIGHT	300	E2
FRONT LIGHT	320	E2
FRONT LIGHT	340	E2
FRONT LIGHT	360	E2
FRONT LIGHT	380	E2
FRONT LIGHT	400	E2
FRONT LIGHT	420	E2
FRONT LIGHT	440	E2
FRONT LIGHT	460	E2
FRONT LIGHT	480	E2
FRONT LIGHT	500	E2
FRONT LIGHT	520	E2
FRONT LIGHT	540	E2
FRONT LIGHT	560	E2
FRONT LIGHT	580	E2
FRONT LIGHT	600	E2
FRONT LIGHT	620	E2
FRONT LIGHT	640	E2
FRONT LIGHT	660	E2
FRONT LIGHT	680	E2
FRONT LIGHT	700	E2
FRONT LIGHT	720	E2
FRONT LIGHT	740	E2
FRONT LIGHT	760	E2
FRONT LIGHT	780	E2
FRONT LIGHT	800	E2
FRONT LIGHT	820	E2
FRONT LIGHT	840	E2
FRONT LIGHT	860	E2
FRONT LIGHT	880	E2
FRONT LIGHT	900	E2
FRONT LIGHT	920	E2
FRONT LIGHT	940	E2
FRONT LIGHT	960	E2
FRONT LIGHT	980	E2
FRONT LIGHT	1000	E2

FUEL TANK • AIR CLEANER



CAUTION OR WARNING LABELS MUST BE ORDERED SEPARATELY WHEN APPLICABLE

F1337/4095

K = CB550
K1 = CB550K1
6 = CB550K76

Ref. No.	BLOCK NO. DESCRIPTION	F-5	CB550		FRAME SERIAL NUMBER	QTY	PART NUMBER	HONDA CODE
			K	6				
			K1	6				
1	CLIP, BREATHER TUBE		K	6		3	15772-292-010	0142885
2	VALVE ASSY., FUEL		K	1		1	16950-300-020	0195123
3	VALVE ASSY., FUEL		K	1		1	16950-374-671	0387605
4	BODY SET, VALVE		K	1		1	16951-374-671	0395574
5	CUP, FUEL STRAINER		K	1		1	16952-268-000	0042218
6	STRAINER SET		K	1		1	16952-341-671	0395582
7	LEVER, VALVE		K	1		1	16953-268-020	0042226
8	GASKET, VALVE		K	1		1	16955-268-020	0042234
9	SCREEN, FUEL STRAINER		K	1		1	16957-268-010	0042242
10	GASKET, FUEL STRAINER CUP		K	1		1	16958-268-010	0042259
11	SPRING, VALVE LEVER		K	1		1	16960-268-010	0042267
12	PLATE, FUEL VALVE LEVER SETTING		K	1		1	16961-268-010	0042275
13	GASKET, VALVE BODY		K	1		2	16993-011-000	0006262
14	GASKET, VALVE BODY		K	1		1	16997-273-006	0085712
15	ELEMENT, AIR CLEANER		K	K1	6	1	17210-374-003	0362095
16	SPRING, AIR CLEANER ELEMENT		K	K1	6	1	17216-323-020	0253633
17	GROMMET A, AIR CLEANER CASE		K	K1	6	4	17247-303-000	0198234
18	BAND A, AIR CLEANER CONNECTING TUBE		K	K1	6	4	17255-323-000	0255455
19	CHAMBER COMP., AIR CLEANER		K	K1	6	1	17310-323-000B	0253658
	CHAMBER COMP., AIR CLEANER		K	K1	6	1	17310-323-010B	0468181
20	CASE, AIR CLEANER ELEMENT SEAL		K	K1	6	1	17313-374-003	0362103
21	COVER, AIR CLEANER		K	K1	6	1	17315-323-000	0292151
22	STAY, AIR CLEANER		K	K1	6	1	17317-323-010	0253666
23	WASHER, ELEMENT SETTING		K	K1	6	1	17318-323-000	0253674
24	STAY, AIR CLEANER RR.		K	K1	6	1	17319-323-000	0253682
25	PLATE, AIR CLEANER		K	K1	6	1	17331-323-000	0255463
26	TUBE ASSY., BREATHER		K	K1	6	1	17335-323-000	0253690
27	COVER, AIR CLEANER ELEMENT		K	K1	6	1	17350-374-003	0362111
28	SEAL, ELEMENT COVER		K	K1	6	1	17351-374-003	0362129
29	ELEMENT		K	K1	6	1	17352-374-003	0362137
30	PLATE, SEAL		K	K1	6	1	17353-374-003	0362145
31	TUBE ASSY., DRAIN		K	K1	6	1	17358-374-000	0362152

CONTENTS

TITLE	PAGE	GRID
AIR CLEANER	78	E3
ALTERNATOR	24	B12
BOLT	48	C12
BRAKE MASTER FR	130	G6
CABLE	50	D1
CRANKSHAFT	10	B6
CARBURETOR	44	C10
CLUTCH	16	B8
CRANKCASE	40	C8
CRANKCASE COVER	16	B8
CRANKSHAFT	10	B6
CYLINDER	2	B1
CYLINDER	132	G8
EXHAUST MUFFLER	90	E9
FENDER FR	62	D7
FRAME	118	F11
FUEL TANK	78	E3
HANDLEBAR	50	D1
HEAD	2	B1
HEADLIGHT	56	D4
KICK STARTER SPRINDLE	30	C3
OIL FILTER	40	C8
OIL PUMP	24	B12
SHOCK ABSORBER FR	98	F1
SPEEDOMETER	56	D4
STEERING STEM	62	D7
STEP	50	E9
SWINGARM	98	F1
TACHOMETER	56	D4
TAILLIGHT K1-76	106	F5
TAILLIGHT K1-76	112	F8
TRANSMISSION	30	C3
TURN SIGNAL K	106	F5
TURN SIGNAL K1-76	112	F8
WASHER (CRANKCASE)	48	C12
WHEEL FR	70	D11
WHEEL RR	70	D11
WIRE HARNESS	118	F11

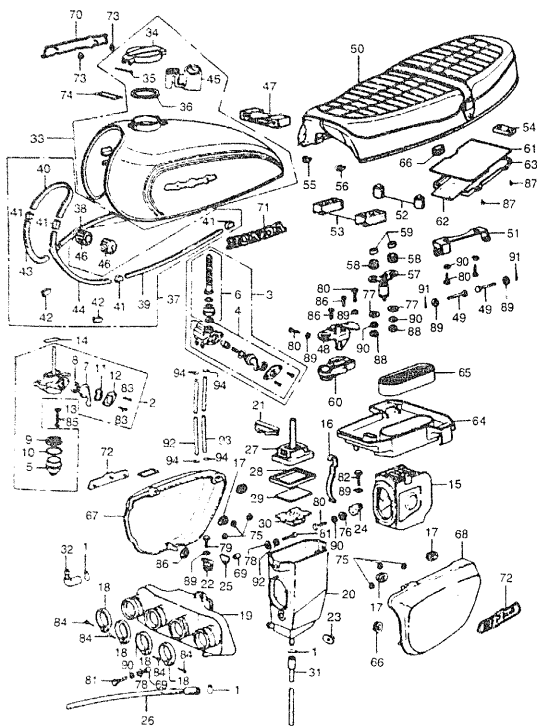
CB550 ENGINE NO.; CB550E-1000001 TO SUBSEQUENT
CB550 FRAME NO.; CB550K-1000001 TO SUBSEQUENT
CB550K1 ENGINE NO.; CB550E-1029182 TO SUBSEQUENT
CB550K1 FRAME NO.; CB550K-1200001 TO SUBSEQUENT

CB550-176 ENGINE NO.; CB550E-1067334 TO SUBSEQUENT
CB550-176 FRAME NO.; CB550K-1230001 TO SUBSEQUENT

AMERICAN HONDA MOTOR CO. LTD. 1984

www.ClassicCycles.org

FUEL TANK • AIR CLEANER



CAUTION OR WARNING LABELS MUST BE ORDERED SEPARATELY WHEN APPLICABLE

F13374009

K = CB550
K1 = CB550K1
6 = CB550K76

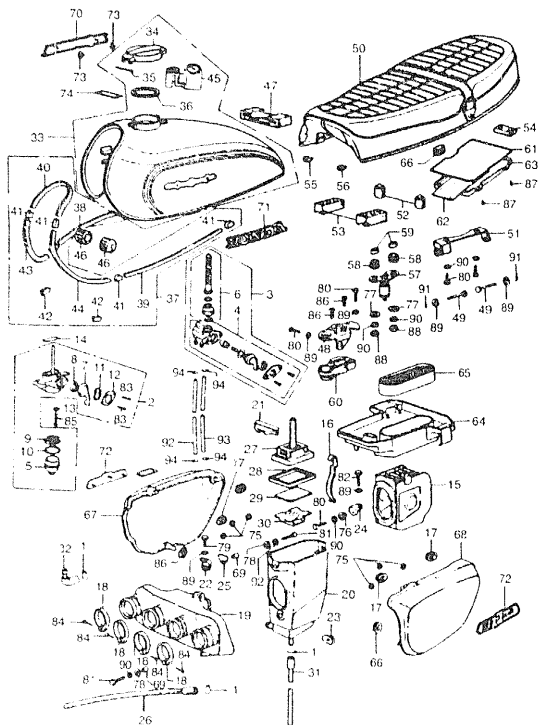
Ref. No.	BLOCK NO. DESCRIPTION	F-5	CB550		FRAME SERIAL NUMBER		QTY	PART NUMBER	HONDA CODE
			K	K1	6	FROM			
31	TUBE ASSY., DRAIN	---	K	1	6	---	1	17358-341-000	0434860
32	PIECE, AIR CLEANER JOINT	---	K	K1	6	---	1	17359-374-000	0362160
33	TANK ASSY., FUEL (FREEDOM GREEN METALLIC AND BLACK)	---	K	---	---	---	1	17050-374-000TE	0702696
	TANK ASSY., FUEL (BOSS MAROON METALLIC & BLACK)	---	K	---	---	---	1	17050-374-000TF	0702704
	TANK ASSY., FUEL (FLAKE SUNRISE ORANGE & BLACK)	---	K	---	---	---	1	17500-374-000UQ	0362178
	TANK ASSY., FUEL (FREEDOM GREEN METALLIC AND BLACK)	---	K	---	---	---	1	17500-374-000TE	0362186
	TANK ASSY., FUEL (BOSS MAROON METALLIC & BLACK)	---	K	---	---	---	1	17500-374-000TF	0362194
	TANK ASSY., FUEL (FLAKE SUNRISE ORANGE & BLACK)	---	K	K1	---	---	1	17050-374-810TF	0756544
	TANK ASSY., FUEL (FLAKE SUNRISE ORANGE & BLACK)	---	K	K1	---	---	1	17050-374-000UQ	0702688
	TANK ASSY., FUEL (FLAKE SUNRISE ORANGE & BLACK)	---	K	K1	---	---	1	17500-374-010UQ	0387621
	TANK ASSY., FUEL (CANDY JET GREEN & BLACK)	---	K1	---	---	---	1	17050-374-010KD	0702712
	TANK ASSY., FUEL (FLAKE SUNRISE ORANGE & BLACK)	---	K1	---	---	---	1	17050-374-010UQ	0702720
	TANK ASSY., FUEL (CANDY JET GREEN & BLACK)	---	K1	---	---	---	1	17500-374-010KD	0387613
	TANK ASSY., FUEL +YR2C+ (CANDY GARNET BROWN)	---	---	---	6	---	1	17050-374-010ZA	0702738
	TANK ASSY., FUEL +YR2C+ (CANDY GARNET BROWN)	---	---	---	6	---	1	17500-374-010ZA	0434878
34	CAP COMP., FUEL TANK	---	K	K1	6	---	1	17510-323-310	0253716
35	PIN B, FUEL FILLER CAP	---	K	K1	6	---	2	17514-323-300	0253724
36	GASKET, FUEL FILLER CAP	---	K	K1	6	---	1	17534-323-300	0265660
37	MOULDING SET, FUEL TANK	---	K	K1	6	---	1	17540-323-000	0254417
38	MOULDING, R. FUEL TANK	---	K	K1	6	---	1	17541-323-000	0254425
39	MOULDING, L. FUEL TANK	---	K	K1	6	---	1	17542-323-000	0254433
40	MOULDING, FUEL TANK MIDDLE	---	K	K1	6	---	1	17543-323-000	0254441

CONTENTS

TITLE	PAGE	GRID
AIR CLEANER	76	E5
AJ TERMINATOR	24	B12
BRKT	48	C12
BRKLE MASTER FR	132	G6
CABLE	50	D1
CAIRSHAFT	70	B5
CARBUJETGR	44	C16
CLUTCH	16	B6
CRANKCASE	40	C6
CRANKCASE COVER	16	B8
CYVANSHAFT	19	B5
CYLINDER	2	B1
CYLINDER	132	G6
EXHAUST MUFFLER	90	E9
FENDER FR	82	D7
FRAME	112	F11
FUEL TANK	76	E3
HANDLEBAR	82	D7
HEAD	2	B1
HEADLIGHT	56	D4
KICK STARTER SPINDLE	30	C3
OIL FILTER	40	C9
OIL PUMP	24	F12
SHOCK ABSORBER FR	81	F1
SPEEDOMETER	36	D4
STEERING STEM	62	D7
STEP	90	E9
SWINGARM	98	F1
TACHOMETER	56	D4
TAILLIGHT K	106	F5
TAILLIGHT K1-76	112	F8
TRANSMISSION	30	C3
TURIN SIGNAL K	106	F5
TURIN SIGNAL K1-76	112	F8
WASHER (CRANKCASE)	48	C12
WHEEL FR	70	D11
WHEEL RR	70	D11
WIRE HARNESS	118	F11

www.ClassicCycles.org

FUEL TANK • AIR CLEANER



CAUTION OR WARNING LABELS MUST BE ORDERED SEPARATELY WHEN APPLICABLE

© 1997 HONDA

CB550 ENGINE NO.; CB550E-1000001 TO SUBSEQUENT
 CB550 FRAME NO.; CB550X-1000001 TO SUBSEQUENT
 CB550K1 ENGINE NO.; CB550E-1019182 TO SUBSEQUENT
 CB550K1 FRAME NO.; CB550X-1200001 TO SUBSEQUENT

CB550K176 ENGINE NO.; CB550E-1067334 TO SUBSEQUENT
 CB550K176 FRAME NO.; CB550X-1230001 TO SUBSEQUENT

K - CB550
 K1 - CB550K1
 6 - CB550K176

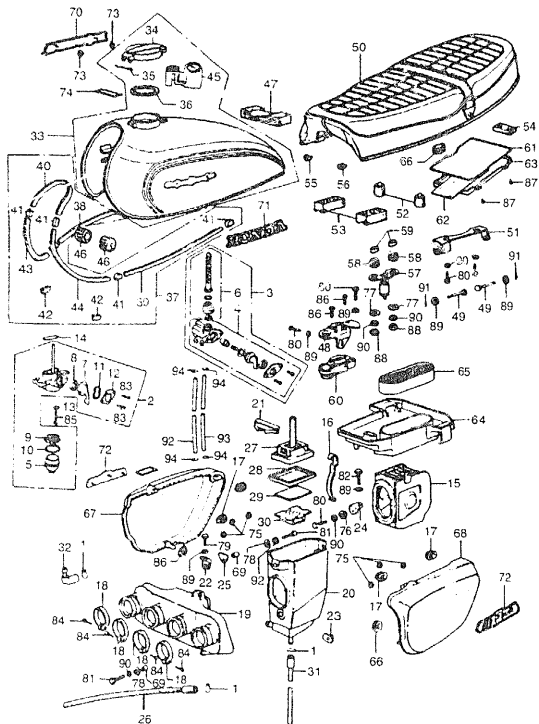
Ref. No.	BLOCK NO. DESCRIPTION	F-5	CB550			FRAME NUMBER		QTY	PART NUMBER	HONDA CODE
			K	K1	6	FROM	TO			
41	CLIP A, FUEL TANK MouldING		K	K1	6			6	17544-323-000	0254458
42	CLIP B, FUEL TANK MouldING		K	K1	6			17	17545-323-010	0255380
43	MouldING, R. TANK MIDDLE		K	K1	6			1	17548-323-000	0255398
44	MouldING, L. TANK MIDDLE		K	K1	6			1	17549-323-000	0255406
45	FUEL LATCH ASSEMBLY, FUEL FILLER CAP		K	K1	6			1	17550-377-315	0697888
46	RUBBER, FUEL TANK FR.		K	K1	6			2	17611-283-010	0073395
47	RUBBER, FUEL TANK RR.		K	K1	6			1	17613-286-000	0153640
48	PLATE, SEAT LOCK MOUNT		K	K1	6			1	50223-323-010	0291435
49	BAR, SEAT HINGE		K	K1	6			2	77103-313-000	0211557
50	SEAT ASSY.		K	K1	6			1	77200-374-003	0362756
51	HINGE, SEAT		K	K1	6			1	77201-323-000	0257311
	HINGE, SEAT		K	K1	6			1	77201-323-010	0423301
52	RUBBER A, SEAT SETTING		K	K1	6			2	77204-286-020	0154799
53	RUBBER, SEAT SETTING		K	K1	6			2	77204-292-000	0144709
54	RUBBER, SEAT SETTING		K	K1	6			1	77204-312-000	0229948
55	GARNISH, R. SEAT MouldING		K	K1	6			1	77211-323-300	0255422
56	GARNISH, L. SEAT MouldING		K	K1	6			1	77212-323-300	0255430
57	BAR ASSY., SEAT LOCK		K	K1	6			1	77220-340-011	0265702
58	RUBBER, SEAT LOCK BAR RUBBER		K	K1	6			2	77228-340-001	0265710
59	COLLAR, SEAT		K	K1	6			2	77229-340-000	4523114
	COLLAR, SEAT LOCK BAR		K	K1	6			2	77229-340-001	0265728
60	LOCK ASSY., SEAT (HONDA LOCK)		K	K1	6			1	77230-107-711	0334649
	LOCK ASSY., SEAT (TOYD)		K	K1	6			1	77230-347-013	0291450
61	LID, SEAT LOWER		K	K1	6			1	77250-342-300	0268383
62	RAG, SERVICE BOOK		K	K1	6			1	77251-342-900	0275297
63	LID, SEAT		K	K1	6			1	77260-323-300	0291468
64	TRAY, TOOL		K	K1	6			1	83501-523-020	0255786
65	NET COMP., TOOL TRAY		K	K1	6			1	83502-323-000	0255794
66	GROMMET, AIR CLEANER CASE		K	K1	6			3	83551-300-000	0204990
67	COVER, R. SIDE (FREEDOM GREEN METALLIC)		K					1	83600-323-020TC	0362772

© 1997 HONDA

CONTENTS

TITLE	PAGE	GRID
AIR CLEANER	79	E3
ALTERATOR	24	B12
BOLT	48	C12
BURGLER MASTER KEY	132	G6
CABLE	50	D1
CAMSHAFT	10	B5
CAMSHAFT LOCK	44	C10
CLUTCH	16	B8
CRANKCASE	40	C8
CRANKCASE COVER	16	B8
CRANKSHAFT	10	B5
CYLINDER	2	B1
CYLINDER	132	G6
CYLINDER	10	B4
EXHAUST MUFFLER	62	D7
FENDER FR.	62	D7
FRAME	170	F11
FUEL TANK	78	E3
HAND LEVER	58	D11
HEAD	2	B3
HEAD LIGHT	56	D4
HIGH STARTER SPRING	30	C2
Oil FILTER	40	C4
Oil PUMP	24	B12
SHOCK ABSORBER FR.	98	F3
SPEAKER	56	D4
STEERING STEM	62	D7
STEP	60	F0
SWINGARM	98	F3
TACHOMETER	56	D4
TAIL LIGHT	50	E5
TAIL LIGHT K176	112	F8
TRANSMISSION	30	C3
TORN SIGNAL	106	F6
TORN SIGNAL K176	112	F8
WASHER (CRANKCASE)	48	C12
WHEEL FR.	70	D11
WHEEL RR.	70	D11
WIRE BRAKES	138	F11

FUEL TANK • AIR CLEANER



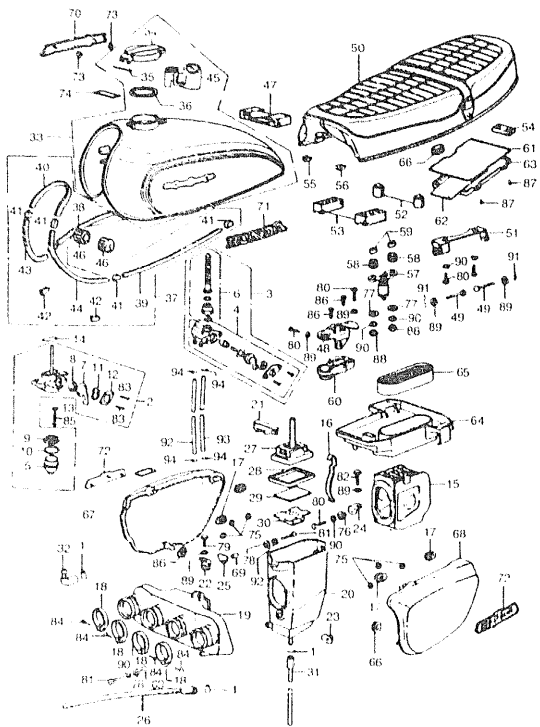
K = CB550
K1 = CB550K1
6 = CB550K76

P/N No.	BLOCK NO. DESCRIPTION	F-5	CB550			FRAME NUMBER		QTY REQ	PART NUMBER	HONDA CODE
			K	K1	6	FROM	TO			
67	COVER, R. SIDE (BOSS MAROON METALLIC)		K	---	---	---	---	1	83600-323-020T	0362780
	COVER, R. SIDE (FLAKE SUNRISE ORANGE)		K	K1	6	---	---	1	83600-323-020LV	0312983
	COVER, R. SIDE (CANDY JET GREEN)		---	K1	---	---	---	1	83600-323-020BK	0255802
	COVER, R. SIDE (CANDY GARNET BROWN)		---	---	6	---	---	1	83600-323-020EE	0255471
68	COVER, L. SIDE (FREEDOM GREEN METALLIC)		K	---	---	---	---	1	83700-323-020TC	0362798
	COVER, L. SIDE (BOSS MAROON METALLIC)		K	---	---	---	---	1	83700-323-020TD	0362806
	COVER, L. SIDE (FLAKE SUNRISE ORANGE)		K	K1	---	---	---	1	83700-323-020LV	0313023
	COVER, L. SIDE (CANDY JET GREEN)		---	K1	---	---	---	1	83700-323-020BK	0255828
	COVER, L. SIDE (CANDY GARNET BROWN)		---	---	6	---	---	1	83700-323-020EB	0255497
69	COLLAR, RR. FENDER		K	K1	6	---	---	2	84705-310-000	0113456
70	EMBLEM, R. FUEL TANK		K	K1	6	---	---	1	87121-300-030	0237263
	EMBLEM, R. FUEL TANK		K	K1	6	---	---	1	87121-323-000	0297622
	EMBLEM, L. FUEL TANK		K	K1	6	---	---	1	87122-300-030	0237271
71	EMBLEM, R. FUEL TANK		K	K1	6	---	---	1	87121-300-030	0237263
	EMBLEM, L. FUEL TANK		K	K1	6	---	---	1	87122-300-030	1237271
	EMBLEM, L. FUEL TANK		K	K1	6	---	---	1	87122-323-000	L 97630
72	EMBLEM, SIDE COVER		K	K1	6	---	---	2	87124-374-000	03 2814
73	NUT, RR. ORNAMENT CLAMP		K	K1	6	---	---	4	87311-516-000	016 728
	NUT, EMBLEM CLAMP		K	K1	6	---	---	4	87311-634-600	0660 54
74	LABEL, DRIVE CAUTION		K	K1	---	---	---	1	87560-323-670A	0269340
	LABEL, DRIVE CAUTION		K	K1	---	---	---	1	87560-323-670B	0269357
	LABEL, DRIVE CAUTION *NH1* (BLACK)		K	K1	---	---	---	1	87560-323-670P*	3491610
	LABEL, DRIVE CAUTION		---	---	6	---	---	1	87560-375-680A	0398370
	MARK, DRIVE CAUTION (NH0)		---	---	6	---	---	1	87560-375-6802A	3923984
75	NUT, SPE&D, 3MM		K	K1	6	---	---	6	90315-504-000	0527341
76	WASHER, 6x20		K	K1	6	---	---	1	90512-300-000	0191494

CONTENTS

TITLE	PAGE	GRID
AIR CLEANER	76	E3
ALTERNATOR	24	B12
BOLT	48	C12
BRAKE MASTER KIT	132	G6
CABLE	50	D1
CRANKSHAFT	10	B5
CARBURETOR	44	C1C
CLUTCH	16	B8
CRANKCASE	40	C8
CRANKCASE COVER	16	B5
CRANKSHAFT	10	B5
CYLINDER	2	B1
CYLINDER	132	G6
EXHAUST MUFFLER	90	E9
FENDER FR	62	D7
FRAME	118	F11
FUEL TANK	76	E3
HANDLEBAR	62	D7
HEAD	2	B1
HEADLIGHT	56	D4
KICK STARTER SPINDLE	30	C3
OIL FILTER	40	C8
OIL PUMP	24	B12
SHOCK ABSORBER FR	98	F1
SPEEDOMETER	56	D4
STEERING STEM	62	D7
STEP	90	E9
SWINGARM	98	F1
TACHOMETER	56	D4
TAILLIGHT K	106	F5
TAILLIGHT K1-76	112	F8
TRANSMISSION	30	C3
TURN SIGNAL K	106	F5
TURN SIGNAL K1-76	112	F8
WASHER (CRANKCASE)	48	C12
WHEEL FR	70	D11
WHEEL RR	70	D11
WIRE HARNESS	118	F11

FUEL TANK • AIR CLEANER



CAUTION ON WARNING LABELS: MUST BE ORDERED SEPARATELY WHEN APPLICABLE

Part No	BLOCK NO DESCRIPTION	F S	K K1	Z Z1	C C1	D D1	E E1	F F1	G G1	H H1	I I1	J J1	K K1	FRAME SERIAL NUMBER		Q Q1	T T1	Y Y1	PART NUMBER	FRONT A COLOR	
														FROM	TO						
77	WASHER, TANK COLLAR LOCKING		K	K1	6														2	90514-700-000	0073874
	WASHER, PLAIN, 6MM		K	K1	6														2	94103-06800	0629824
78	WASHER, 18MM		K	K1	6														2	90581-701-000	0175873
	WASHER, 18MM		K	K1	6														2	90581-831-650	0166454
79	BOLT, HEX., 6X12		K	K1	6														1	92000-06017	0054197
	BOLT, HEX., 6X12		K	K1	6														1	92101-06012	2738821
	BOLT, HEX., 6X12		K	K1	6														1	92101-06012-0A	3591500
80	BOLT, HEX., 6X16		K	K1	6														5	92000-06016	0054239
	BOLT, HEX., 6X16		K	K1	6														5	92000-06016-0A	0313197
	BOLT, HEX., 6X16		K	K1	6														5	92000-06016-1A	0915124
	BOLT, HEX., 6X16		K	K1	6														5	92100-06016-0A	1685726
	BOLT, HEX., 6X16		K	K1	6														5	92101-06016-0A	2479590
	BOLT, HEX., 6X16		K	K1	6														5	92200-06016-0A	1847400
81	BOLT, HEX., 6X25		K	K1	6														2	92000-06025	0054520
	BOLT, HEX., 6X25		K	K1	6														2	92101-06025-0A	2206562
82	BOLT, HEX., 6X40		K	K1	6														1	92000-06040	0054413
	BOLT, HEX., 6X40		K	K1	6														1	92000-06040-0A	0397505
	BOLT, HEX., 6X40		K	K1	6														1	92101-06040-0A	3856655
83	SCREW, PAN, 5X6		K	K1	6														2	93500-03006-0A	0166652
84	SCREW, PAN, 4X20		K	K1	6														4	93500-04020-0A	0169474
85	SCREW, PAN, 6X32		K	K1	6														2	93500-06032	0057562
	SCREW, PAN, 6X32		K	K1	6														2	93500-06032-0A	0666065
86	SCREW, FLAT, 6X16		K	K1	6														2	93600-06016-06	0362939
87	SCREW, TAPPING, 5X8		K	K1	6														2	93901-25080	0265751
88	NUT, HEX., 6MM		K	K1	6														2	90510-KA3-711	1553916
	NUT, HEX., 6MM		K	K1	6														2	94000-06000-05	1391283
	NUT, HEX., 6MM		K	K1	6														2	94001-06000	0058036
	NUT, HEX., 6MM		K	K1	6														2	94001-06000-0S	0156067
	NUT, HEX., 6MM		K	K1	6														2	94001-06008-0S	2829414
	NUT, HEX., 6MM		K	K1	6														2	94001-06200-0S	2043555
	NUT, HEX., 6MM		K	K1	6														2	94050-06000	1642693
89	WASHER, PLAIN, 6MM		K	K1	6														6	94101-06000	0059071

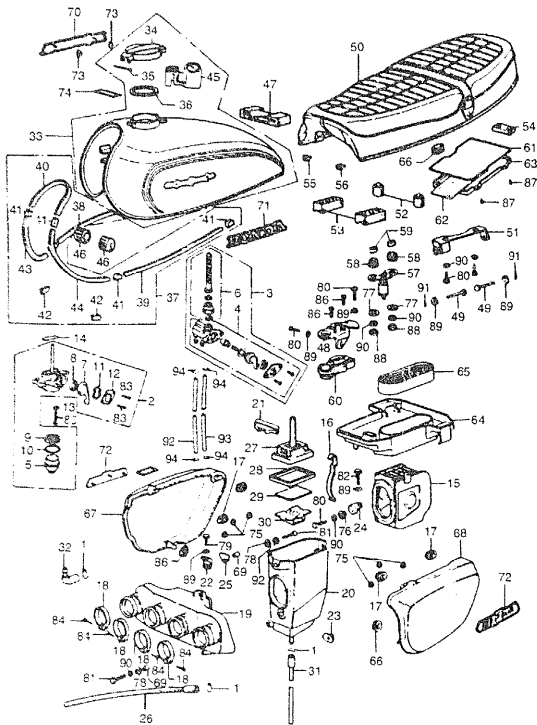
CONTENTS

TITLE	PAGE GRID
INDEX LABELS	20-21
ASSEMBLY	25-27
INDEX	50-52
FRONT MASTER KEY	53-54
FRONT MASTER KEY	55-56
FRONT MASTER KEY	57-58
FRONT MASTER KEY	59-60
FRONT MASTER KEY	61-62
FRONT MASTER KEY	63-64
FRONT MASTER KEY	65-66
FRONT MASTER KEY	67-68
FRONT MASTER KEY	69-70
FRONT MASTER KEY	71-72
FRONT MASTER KEY	73-74
FRONT MASTER KEY	75-76
FRONT MASTER KEY	77-78
FRONT MASTER KEY	79-80
FRONT MASTER KEY	81-82
FRONT MASTER KEY	83-84
FRONT MASTER KEY	85-86
FRONT MASTER KEY	87-88
FRONT MASTER KEY	89-90
FRONT MASTER KEY	91-92
FRONT MASTER KEY	93-94
FRONT MASTER KEY	95-96
FRONT MASTER KEY	97-98
FRONT MASTER KEY	99-100

CB50 ENGINE NO.; CB50E-100001 TO SUBSEQUENT
 CB50 FRAME NO.; CB50E-100001 TO SUBSEQUENT
 CB50K1 ENGINE NO.; CB50E-100916 TO SUBSEQUENT
 CB50K1 FRAME NO.; CB50E-120001 TO SUBSEQUENT

CB50K76 ENGINE NO.; CB50E-1067334 TO SUBSEQUENT
 CB50K76 FRAME NO.; CB50E-125001 TO SUBSEQUENT

FUEL TANK • AIR CLEANER



CAUTION OR WARNING LABELS MUST BE ORDERED SEPARATELY WHEN APPLICABLE

F13374005

K = CB550
K1 = CB550K1
6 = CB550K76

Part No.	BLOCK NO.	F-5	CB550 K			FRAME SERIAL NUMBER		QTY REQ	PART NUMBER	HONDA CODE
			K	K1	6	FROM	TO			
89	WASHER, PLAIN, 6MM		K	K1	6			6	94101-06080	3136074
	WASHER, PLAIN, 6MM		K	K1	6			6	94101-06800	0345900
90	WASHER, SPRING, 6MM		K	K1	6			7	94111-06000	0058974
91	PIN, LOCK, 6MM		K	K1	6			2	94251-06000	0058487
92	TUBE, 5.3x180 (BULK HOSE: 95001-55008-40M)		K					1	95001-55180-40	0341636
	TUBE, 5.3x170 (BULK HOSE: 95001-55008-40M)		K					1	95001-55170-40	0356667
93	TUBE, 5.3x260 (BULK HOSE: 95001-55008-40M)		K					1	95001-55260-40	0330258
	TUBE, 5.3x300 (BULK HOSE: 95001-55008-40M)		K					1	95001-55300-40	0255414
	TUBE, FUEL, 5.3x280		K	K1	6			1	17516-ME0-000	1436096
	TUBE, 5.3x280 (BULK HOSE: 95001-55008-40M)		K	K1	6			1	95001-55280-40	0299776
94	CLIP, TUBE, Ø10		K	K1	6			4	95002-02100	0250985

CONTENTS

TITLE	PAGE	GRID
AIR CLEANER	70	E3
ALTERNATOR	24	B1C
BOIT	48	C12
BRACKET MASTER FR	132	G6
CABLE	52	D7
CRANKSHAFT	10	B0
CARBURETOR	44	C10
CLUTCH	16	B9
CRANKCASE	40	C9
CRANKCASE COVER	16	B8
CRANKSHAFT	10	B6
CYLINDER	2	B1
CYLINDER	12	B4
EXHAUST MUFFLER	60	E5
FENDER FR	62	D7
FRAME	12	F11
FUEL TANK	78	E5
HANDLEBAR	50	E1
HEAD	2	B1
HEADLIGHT	56	D4
KICK STARTER SPINDLE	30	C0
OIL FILTER	40	C8
OIL PUMP	24	B12
SHOCK ABSORBER RR	98	F7
SPEEDOMETER	56	D4
STEERING STEM	62	D7
STEP	90	E9
SWINGARM	98	F7
TACHOMETER	56	D4
TAILLIGHT K1-76	106	F5
TAILLIGHT K1-76	112	F8
TRANSMISSION	30	C2
TURN SIGNAL K	106	F5
TURN SIGNAL K1-76	112	F8
WASHER (CRANKCASE)	48	C12
WHEEL FR	70	D11
WHEEL RR	70	D1
WIRE HARNESS	118	F11

www.ClassicCycles.org

GRID

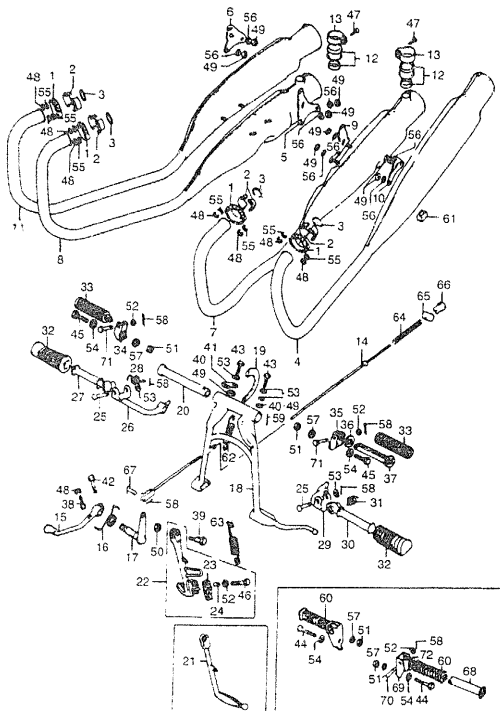
E8

© AMERICAN HONDA MFG. CO., LTD. 1984

CB550 ENGINE NO.; CB550E-1000001 TO SUBSEQUENT
CB550 FRAME NO.; CB550K-1000001 TO SUBSEQUENT
CB550K1 ENGINE NO.; CB550E-1029182 TO SUBSEQUENT
CB550K1 FRAME NO.; CB550K-1200001 TO SUBSEQUENT

© AMERICAN HONDA MOTOR CO., LTD. 1984

EXHAUST MUFFLER • STEP



F1337406E

K = CB550
K1 = CB550K1
6 = CB550K76

Ref No.	BLOCK NO. DESCRIPTION	F-6	CB550		FRAME SERIAL NUMBER	QTY REQ	PART NUMBER	HONDA CODE
			K	K1				
			1	6				
1	JOINT, EX. PIPE	---	K	K1	---	4	18231-323-000	0254474
	JOINT, EX. PIPE	---	---	6	---	4	18231-333-010	0296178
2	COLLAR, EX. JOINT	---	K	K1	---	8	18233-107-000	0213538
3	GASKET, EX. PIPE	---	K	K1	---	4	18291-MM5-650	3246535
	GASKET, EX. PIPE	---	---	6	1247247	4	18291-MM5-650	3246535
	GASKET, EX. PIPE	---	K	K1	---	4	18291-216-000	0028241
	GASKET, EX. PIPE	---	---	6	1247247	4	18291-216-000	0028241
	GASKET, EX. PIPE	---	---	6	1247248	4	18291-390-000	0402420
	GASKET, EX. PIPE	---	---	6	1247248	4	18291-390-306	4503066
4	MUFFLER COMP. 1, EX.	---	K	K1	---	1	18300-323-060	0281063
	MUFFLER COMP. 1, EX.	---	K	K1	6	1	18300-374-700	0434886
	MUFFLER COMP. 1, EX.	---	K	K1	6	1	18300-374-707	1492693
5	BRACKET B, R. MUFFLER	---	K	K1	6	1	18340-323-040	0254490
6	BRACKET A, R. MUFFLER	---	K	---	---	1	18345-323-010	0254508
	BRACKET A, R. MUFFLER	---	---	K1	6	1	18345-374-670	0387647
7	MUFFLER COMP. 2, EX.	---	K	K1	---	1	18350-323-060	0281071
	MUFFLER COMP. 2, EX.	---	K	K1	6	1	18350-374-700	0434894
	MUFFLER COMP. 2, EX.	---	K	K1	6	1	18350-374-707	1493840
8	MUFFLER COMP. 3, EX.	---	K	K1	---	1	18400-323-070	0280883
	MUFFLER COMP. 3, EX.	---	K	K1	6	1	18400-374-700	0434902
	MUFFLER COMP. 3, EX.	---	K	K1	6	1	18400-374-707	1494053
9	BRACKET B, L. MUFFLER	---	K	K1	6	1	18430-323-040	0254540
10	BRACKET A, L. MUFFLER	---	K	---	---	1	18435-323-010	0254532
	BRACKET A, L. MUFFLER	---	---	K1	6	1	18435-374-670	0387654
11	MUFFLER COMP. 4, EX.	---	K	K1	---	1	18450-323-070	0280875
	MUFFLER COMP. 4, EX.	---	K	K1	6	1	18450-374-700	0434910
	MUFFLER COMP. 4, EX.	---	K	K1	6	1	18450-374-707	1494285
12	TUBE, MUFFLER CONNECTING	---	K	K1	6	2	18473-323-000	0254565
13	BAND, MUFFLER CONNECTING	---	K	K1	6	2	18476-323-000	0254573
14	ROD, RR. BRAKE	---	K	K1	6	1	43451-323-010	0257923
	ROD, RR. BRAKE	---	K	K1	6	1	43451-323-020	0487991
15	PEDAL, BRAKE	---	K	K1	6	1	46500-374-000	0366476
16	SPRING, BRAKE PEDAL	---	K	K1	6	1	46514-323-020	0256321

AMERICAN HONDA MOTOR CO. LTD. 1984 51

CONTENTS

TITLE	PAGE	GRID
AIR CLEANER	78	E9
ALTERNATOR	24	B12
BOLT	48	C12
BRAKE MASTER FR	132	G6
CABLE	10	D1
CAMSHAFT	10	B5
CARBURETOR	44	C10
CLUTCH	16	E8
CRANKCASE	40	C8
CRANKCASE COVER	16	E8
CRANKSHAFT	10	B5
CYLINDER	2	B1
CYLINDER	132	G6
EXHAUST MUFFLER	90	E9
FENDER FR	62	D7
FRAME	118	F11
FUEL TANK	18	B3
HANDLEBAR	50	D1
HEAD	2	B1
HEADLIGHT	56	D4
KICK STARTER SPINDLE	30	C3
OIL FILTER	40	C8
OIL PUMP	24	B12
SHOCK ABSORBER FR	98	F1
SPEEDOMETER	56	D4
STEERING STEM	69	D7
STEP	90	E9
SWINGARM	98	F1
TACHOMETER	56	D4
TAILLIGHT K	106	F5
TAILLIGHT K1-76	112	F8
TRANSMISSION	30	C3
TURN SIGNAL K	106	F5
TURN SIGNAL K1-76	112	F8
WASHER (CRANKCASE)	48	C12
WHEEL FR	70	D11
WHEEL FR	70	D11
WIRE HARNESS	118	F11

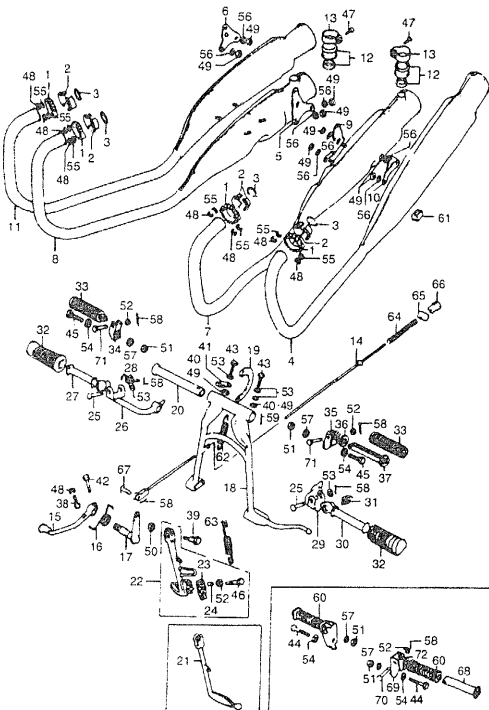
GRID

E9

CB550 ENGINE NO.; CB550E-1000001 TO SUBSEQUENT
CB550 FRAME NO.; CB550K-1000001 TO SUBSEQUENT
CB550K1 ENGINE NO.; CB550E-1029182 TO SUBSEQUENT
CB550K1 FRAME NO.; CB550K-1200001 TO SUBSEQUENT

CB550K176 ENGINE NO.; CB550E-1067334 TO SUBSEQUENT
CB550K176 FRAME NO.; CB550K-1230001 TO SUBSEQUENT

EXHAUST MUFFLER • STEP



F13374008

K = CB550
K1 = CB550K1
6 = CB550K76

Part No.	BLOCK NO. DESCRIPTION	F-6	CB550			FRAME SERIAL NUMBER		P R T Q	PART NUMBER	HONDA CODE
			K	K1	6	FROM	TO			
17	SHAFT COMP., RR. BRAKE PIVOT	K	K1	6	-----	-----	1	46515-323-010	0253914
18	STAND COMP., MAIN	K	K1	6	-----	-----	1	50500-323-000B	0254045
19	PLATE, MAIN STAND SPRING	K	K1	6	-----	-----	1	50523-300-010	0192203
20	PIPE, MAIN STAND PIVOT	K	K1	6	-----	-----	1	50526-300-000	0192211
21	BAR, SIDE STAND	K	---	---	-----	-----	1	50530-323-000B	0254052
22	BAR ASSY., SIDE STAND	---	K1	6	-----	-----	1	50540-374-670	0387811
23	RUBBER, STAND	---	K1	6	-----	-----	1	50548-356-700	0382648
24	COLLAR, STAND RUBBER SETTING	---	K1	6	-----	-----	1	50549-356-700	0382655
25	PIN, STEP BAR JOINT	K	---	---	-----	-----	2	50603-033-000	0019349
26	BAR COMP., R. STEP	K	K1	6	-----	-----	1	50615-323-670B	0254060
27	ARM COMP., R. STEP	K	K1	6	-----	-----	1	50616-323-670B	0254078
28	SPRING, R. FOOTPEG RETURN	K	K1	6	-----	-----	1	50617-283-000	0077107
29	BAR COMP., L. STEP	K	K1	6	-----	-----	1	50641-323-670B	0254987
30	ARM COMP., L. STEP	K	K1	6	-----	-----	1	50642-323-670B	0254995
31	SPRING, L. STEP RETURN	K	K1	6	-----	-----	1	50644-283-000	0077149
32	RUBBER, STEP	K	K1	6	-----	-----	2	50661-310-000	0112953
33	RUBBER, PILLION FOOTPEG	---	K1	6	-----	-----	2	50710-377-000	0382291
	RUBBER, PILLION FOOTPEG	---	K1	6	-----	-----	2	50716-371-660	0470880
34	BRACKET, R. PILLION FOOTPEG	---	K1	6	-----	-----	1	50711-374-670	0387829
35	BRACKET, L. PILLION FOOTPEG	---	K1	6	-----	-----	1	50712-374-670	0387837
36	WASHER, PILLION STEP	---	K1	6	-----	-----	2	50712-377-000	0382309
37	BAR, PILLION FOOTPEG	---	K1	6	-----	-----	2	50715-M46-000	3218203
	BAR, PILLION FOOTPEG	---	K1	6	-----	-----	2	50715-377-000	0382317
38	BOLT, BRAKE PEDAL ADJUSTING	K	K1	6	-----	-----	1	90104-323-000	0254102
39	SCREW, SIDE STAND PIVOT	K	K1	6	-----	-----	1	90108-283-000	0078717
40	NUT, FLANGE, 8MM	---	6	---	1252519	-----	2	90236-300-000	0189183
	NUT, FLANGE, 8MM	---	6	---	1252519	-----	2	94050-08000	0481143
	NUT, FLANGE, 8MM	---	6	---	1252519	-----	2	94050-08000-0S	0678011
41	WASHER, BATTERY BREATHER TUBE GUIDE	K	K1	6	-----	-----	1	90514-323-000	0258228
42	BOLT, HEX., 8X28	K	K1	6	-----	-----	1	92000-08028-0A	0155143
	BOLT, HEX., 8X28	K	K1	6	-----	-----	1	92101-08028-0A	2298347
43	BOLT, HEX., 8X40	K	K1	6	-----	-----	2	92000-08040-0A	0192781

CONTENTS

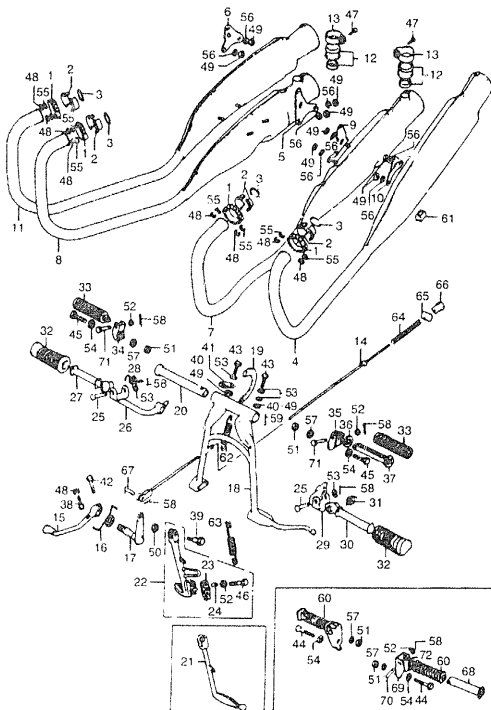
TITLE	PAGE	GRID
AIR CLEANER	78	E3
ALTERNATOR	24	B12
BOLT	48	C12
BRAKE MASTER FR.	132	G6
CABLE	59	H1
CAMSHAFT	10	B5
CARBURETOR	44	C10
CLUTCH	16	B8
CRANKCASE	40	C8
CRANKCASE COVER	16	B8
CRANKSHAFT	10	B5
CYLINDER	2	B1
CYLINDER	132	G6
EXHAUST MUFFLER	90	E9
FENDER FR.	62	D7
FRAME	118	F11
FUEL TANK	78	E3
HANDLEBAR	50	D1
HEAD	2	B1
HEADLIGHT	56	D4
HICK STARTER SPINDLE	30	C3
OIL FILTER	40	B9
OIL PUMP	24	B12
SHOCK ABSORBER RR.	98	F1
SPEEDOMETER	56	D4
STEERING STEM	62	D7
STEP	90	E9
SWINGARM	98	F1
TACHOMETER	56	D4
TAILLIGHT K	106	F5
TAILLIGHT K1-76	112	F8
TRANSMISSION	30	C3
TURN SIGNAL K	106	F5
TURN SIGNAL K1-76	112	F8
WASHER (CRANKCASE)	48	C12
WHEEL FR.	70	D1
WHEEL RR.	70	D1
WIRE HARNESS	118	F11

www.ClassicCycles.org

GRID

E10

EXHAUST MUFFLER • STEP



F 13774006

K = CB550
 K1 = CB550K1
 6 = CB550K76

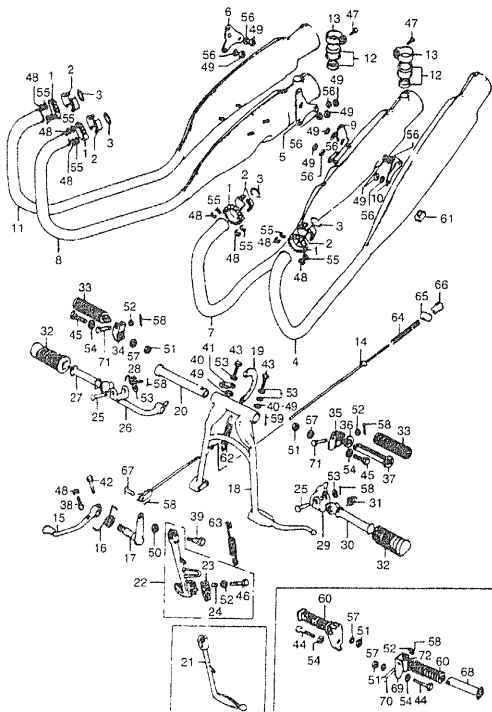
Ref. No.	BLOCK NO. DESCRIPTION	F-6	CB550			FRAME SERIAL NUMBER	QTY REQD	PART NUMBER	HONDA CODE
			K	K1	6				
43	BOLT, HEX., 8X40		K	K1	6	-----	2	92101-08040-0A	3839321
44	BOLT, HEX., 10X35		K	---	---	-----	2	92000-10035-0A	0255356
45	BOLT, HEX., 10X40		---	K1	6	-----	1	92000-10040-0A	0175877
	BOLT, HEX., 10X40		---	K1	6	-----	2	92101-10040-0A	4562955
46	BOLT, HEX., 6X28		---	K1	6	-----	1	93000-06028	0188342
	BOLT, HEX., 6X28		---	K1	6	-----	1	93000-06028-0A	2386084
47	SCREW, PAN, 5X16		K	K1	6	-----	2	93500-05016-0G	0256933
48	NUT, HEX., 6MM		K	K1	6	-----	9	90310-KA3-711	1553916
	NUT, HEX., 6MM		K	K1	6	-----	9	94000-06000-0S	1391283
	NUT, HEX., 6MM		K	K1	6	-----	9	94001-06000	0058016
	NUT, HEX., 6MM		K	K1	6	-----	9	94001-06000-0S	0156067
	NUT, HEX., 6MM		K	K1	6	-----	9	94001-06008-0S	2829414
	NUT, HEX., 6MM		K	K1	6	-----	9	94001-06200-0S	2043255
	NUT, HEX., 6MM		K	K1	6	-----	9	94030-06000	1642693
49	NUT, HEX., 8MM		K	K1	---	-----	10	94001-08000-0S	0167338
			---	6	---	1252519	10	94001-08000-0S	0167338
			---	6	---	1252519	8	94001-08000-0S	0167338
50	NUT, HEX., 10MM		K	K1	6	-----	1	94001-10000-0S	0145391
51	NUT, HEX., 10MM		K	K1	6	-----	2	94030-10000	0223024
52	WASHER, PLAIN, 6MM		K	---	---	-----	2	94101-06000	0059071
			---	K1	6	-----	3	94101-06000	0059071
	WASHER, PLAIN, 6MM		K	---	---	-----	2	94101-06080	3136074
			---	K1	6	-----	3	94101-06080	3136074
	WASHER, PLAIN, 6MM		K	---	---	-----	2	94101-06800	0345900
			---	K1	6	-----	3	94101-06800	0345900
53	WASHER, PLAIN, 8MM		K	K1	---	-----	5	94101-08000	0059097
			---	6	---	1252518	5	94101-08000	0059097
			---	6	---	1252519	4	94101-08000	0059097
54	WASHER, PLAIN, 10MM		K	K1	6	-----	2	94102-10000	0127551
55	WASHER, SPRING, 6MM		K	K1	6	-----	8	94111-06000	0058974
56	WASHER, SPRING, 8MM		K	K1	6	-----	8	94111-08000	0058982
57	WASHER, SPRING, 8MM		K	K1	6	-----	2	94111-10000	0059006
58	PIN, COTTER 1.6X15		K	K1	6	-----	5	94201-16150	0058313
	PIN, COTTER 1.6X25		K	K1	6	-----	5	94201-16250	0058339
59	PIN, COTTER 2.5MM		K	K1	6	-----	1	94201-25250	0145581

F 13774006

CONTENTS

TITLE	PAGE	GRID
AIR CLEANER	76	F 3
AIR FILTERATOR	25	B 12
BOLT	48	C 10
BRAKE MASTER FR	152	G 6
CABLE	56	D 7
CAMSHAFT	10	B 5
CARBURETOR	44	C 10
CLUTCH	16	B 8
CYLINDER	40	C 8
CRANKCASE COVER	16	B 8
CRANKSHAFT	10	B 5
CYLINDER	2	B 1
CYLINDER	132	O 4
EXHAUST MUFFLER	90	E 9
FENDER FR	62	D 7
FRAME	118	F 11
FUEL TANK	30	C 3
HANDLEBAR	50	D 1
HEAD	2	B 1
HEADLIGHT	56	D 4
KICK'S STARTER SPINDLE	30	C 3
OIL FILTER	40	C 8
OIL PUMP	24	B 12
SHOCK ABSORBER, RH	98	F 1
SPEEDOMETER	56	D 4
STEERING STEM	62	D 7
STEP	90	E 9
SWINGARM	98	F 1
TACHOMETER	56	D 4
TAILLIGHT K	106	F 5
TAILLIGHT K1-76	112	F 8
TRANSMISSION	30	C 3
TURN SIGNAL K	106	F 5
TURN SIGNAL K1-76	112	F 8
WASHER (CRANKCASE)	48	C 12
WHEEL FR	70	D 11
WHEEL RR	70	D 11
WIRE HARNESS	118	F 11

EXHAUST MUFFLER • STEP



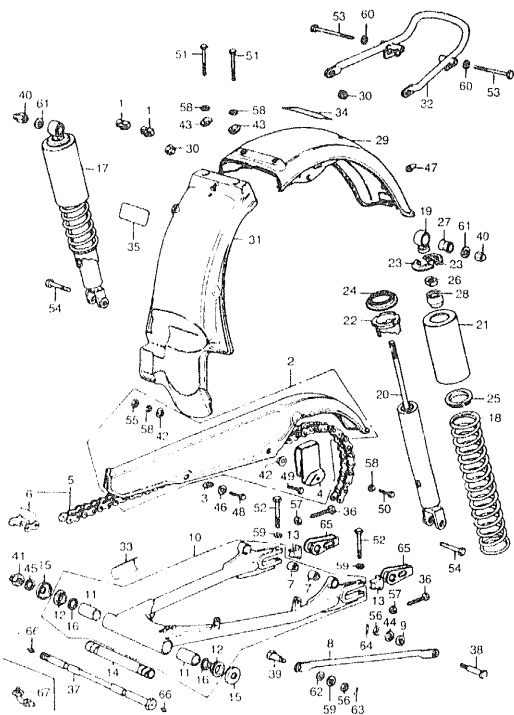
F15374006

Ref. No.	BLOCK NO. DESCRIPTION	F-6			FRAME SERIAL NUMBER FROM TO	QTY	P/PRT NUMBER	HONDA CODE
		K	K1	6				
		K	K1	6				
59	PIN, COTTER 2.5MM	K	K1	6		1	94201-25300	0156091
60	RUBBER, STEP	K	--	--		2	95011-31000	0255687
61	RUBBER A, STAND STOPPER	K	K1	6		1	95011-61000	0255638
62	SPRING G, MAIN STAND	K	K1	6		1	95014-71701	0341875
	SPRING G, MAIN STAND	K	K1	6		1	95014-71702	0414250
63	SPRING D, SIDE STAND	K	K1	6		1	95014-72401	0299875
	SPRING D, SIDE STAND	K	K1	6		1	95014-72402	0414268
64	SPRING A, BRAKE ROD	K	K1	6		1	95014-72100	0271056
	SPRING, BRAKE ROD	K	K1	6		1	95014-73300	0257717
65	JOINT, BRAKE ARM	K	--	--		1	95015-32000	0257758
	JOINT, BRAKE ARM	K	K1	6		1	95015-32001	0400945
66	NUT B, BRAKE ROD ADJ.	K	K1	6		1	95015-42000	0257766
67	PIN B, BRAKE ROD JOINT	K	K1	6		1	95015-52000	0257774
68	BAR B, PILLION STEP	K	--	--		2	95015-62000	0257782
69	BRACKET B, PILLION STEP	K	--	--		2	95015-72100	0257725
70	PIN B, PILLION FOOTPEG	K	--	--		2	95015-82000	0257733
71	PIN C, PILLION FOOTPEG	--	K1	6		2	95015-83000	0274118
72	WASHER, FOOTPEG	K	--	--		2	95015-91000	0257741

CONTENTS

TITLE	PAGE	GRID
AIR CLEANER	78	E3
ALTERNATOR	24	B12
BOLT	48	C12
BRAKE MASTER FR	130	G6
CABLE	50	D11
CAMSHAFT	10	B5
CARBURETOR	44	C10
CLUTCH	76	B8
CRANKCASE	40	C8
CRANKCASE COVER	16	B3
CRANKSHAFT	10	B5
CYLINDER	2	B1
CYLINDER	100	G6
EXHAUST MUFFLER	90	E9
FENDER FR	62	D7
FRAME	116	F11
FUEL TANK	78	E3
HANDLEBAR	50	D1
HEAD	2	B1
HEADLIGHT	56	D4
KICK STARTER SPINDLE	30	C3
OIL FILTER	40	C8
OIL PUMP	24	B12
SHOCK ABSORBER FR	98	F1
SPEEDOMETER	24	L4
STEERING STEM	62	D7
STEP	90	E9
SWINGARM	96	F1
TACHOMETER	96	E4
TAILLIGHT K	106	F5
TAILLIGHT K1-76	112	F8
TRANSMISSION	20	C3
TURN SIGNAL K	106	F5
TURN SIGNAL K1-76	112	F8
WASHER (CRANKCASE)	48	C12
WHEEL FR	70	D11
WHEEL RR	76	D11
WIRE HARNESS	116	F11

SWINGARM • REAR SHOCK ABSORBER



CAUTION ON WARNING LABELS MUST BE OBTAINED SEPARATELY WHEN APPLICABLE

F 43374002

K = CB550
K1 = CB550K1
G = CB550K76

Part No	BLOCK NO DESCRIPTION	F-7	K		QTY	FRAME SERIAL NUMBER FROM TO	QTY	PART NUMBER	HONDA CODE
			K	K1					
1	GROMMET, CABLE		K	K1	2			32985-300-000	0255554
2	CASE, DRIVE CHAIN			6	3			32985-300-000	0255554
3	COLLAR, CHAIN CASE		K	K1	1			40510-323-000B	0254789
4	PLATE, DRIVE CHAIN CASE		K	K1	1			40511-300-000	0191429
5	CHAIN, DRIVE (100L) (DA10D)		K	K1	1			40512-500-000	0222877
6	JOINT, DRIVE CHAIN (STAKING TYPE)		K	K1	1			40530-341-305	0302042
7	RUBBER, RR. SWINGARM, LOWER		K	K1	2			40531-341-305	0301002
8	ARM, RR. BRAKE STOPPER		K	K1	6			40548-268-000	0049361
9	RUBBER, STOPPER ARM CUSHION		K	K1	6			43431-340-000	0265942
10	SWINGARM COMP., RR.		K	K1	1			43434-286-000	0172726
11	SWINGARM ASSY., RR. •NH1• (BLACK)			6	1			52100-323-040B	0255133
12	BUSH, RR. SWINGARM PIVOT		F	K1	2			52110-374-700ZA	0434969
13	BUSH, SWINGARM PIVOT			6	2			52108-300-300	0222901
14	BUSH, RR. SWINGARM PIVOT THRUST		K	K1	2			52108-457-300	0367474
15	STOPPER, CHAIN ADJUSTER		K	K1	2			52109-283-300	0133298
16	COLLAR, RR. SWINGARM CENTER		K	K1	2			52136-300-000	0191460
17	COLLAR, RR. SWINGARM CENTER			6	1			52141-300-000	0191478
18	COLLAR, RR. SWINGARM CENTER			6	1			52141-390-000	0403055
19	CAP, DUST SEAL		K	K1	2			52141-390-010	0753855
20	CAP, DUST SEAL		K	K1	2			52144-283-010	0078212
21	RING, RR. SWINGARM FELT		K	K1	2			52144-362-000	0342659
22	RING, RR. SWINGARM FELT		K	K1	2			52145-283-000	0078220
23	SHOCK ABSORBER ASSY., RR.		K	K1	2			52400-323-670XW	0303588
24	SHOCK ABSORBER ASSY., RR.		K	K1	2			52400-390-681XW	0434977
25	SPRING, RR. SHOCK		K	K1	2			52401-323-000	0255158
26	SPRING, RR. SHOCK		K	K1	2			52403-312-000	0245829
27	DAMPER COMP., RR.		K	K1	2			52410-323-670	0303404
28	DAMPER ASSY., RR.			6	2			52410-375-611	0431296
29	CASE, RR. DAMPER UPPER		K	K1	2			52421-300-000XW	0191395
30	ADJUSTER, RR. SHOCK SPRING		K	K1	2			52422-529-000	0295514
31	ADJUSTER, SPRING (SHOWA)			6	2			52422-390-003	0403089
32	STOPPER, SPRING SEAT (SHOWA)		K	K1	4			52424-331-003	0245555

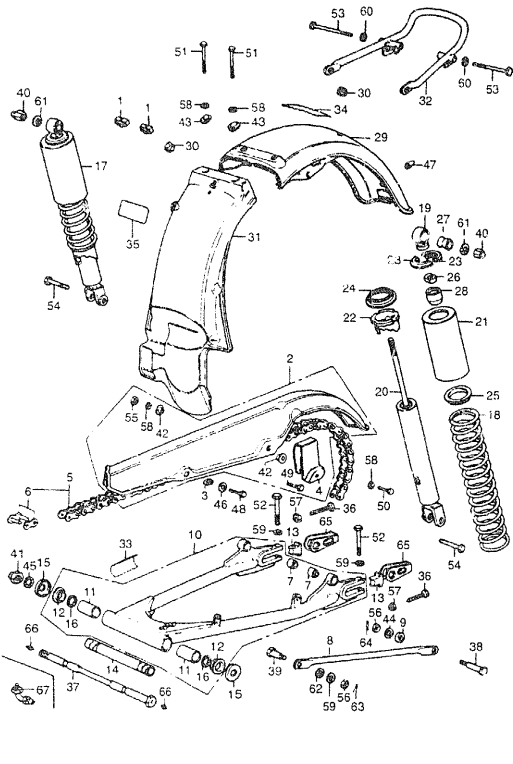
CONTENTS

TITLE	PAGE	GRID
CELL CASE	76	F 3
ALTERNATOR	24	B12
BIKE	45	C12
ENGINE MASTER KEY	15	D9
ENGINE CASE	94	D4
CAMSHAFT	16	B5
CARBURETOR	44	C10
CLUTCH	16	B6
CRANKCASE COVER	40	C4
CRANKCASE COVER	16	B5
CRANKSHAFT	10	B5
CYRINDER	7	B5
CYRINDER	132	G4
EXHAUST MUFFLER	90	F4
FENDER REAR	62	B7
FRAME	136	F3
FUEL TANK	28	F4
HAND REBAR	54	D3
HEAD	2	B4
HEADLIGHT	94	C3
KICK STARTER SPRING	90	C3
COIL FERTH	40	G4
COIL PUMP	23	B12
SHOCK ABSORBER REAR	90	F3
STEERING TIE	54	D4
STEERING STEM	62	B7
STEP	90	F3
SWINGARM	90	F3
TACHOMETER	54	D4
TAILLIGHT R	106	F4
TAILLIGHT R376	112	F4
TRANSMISSION	30	C3
UPPER SWINGARM	106	F4
TURN SIGNAL	112	F4
WASHER MOTOR CASE	46	C12
WHEEL REAR	70	D11
WHEEL REAR	70	D11
WIRE HARNESS	118	F11

GRID

F1

SWINGARM • REAR SHOCK ABSORBER



CAUTION OR WARNING LABELS MUST BE ORDERED SEPARATELY WHEN APPLICABLE

F31374007

K = CB550
K1 = CB550K1
6 = CB550K76

Ref. No.	BLOCK NO. DESCRIPTION	F-7	CB550 K			FRAME SERIAL NUMBER FROM TO	QTY	PART NUMBER	HONDA CODE
			K	K1	6				
24	SEAT, RR. SHOCK SPRING LOWER	----	K	K1	6	----	2	52458-329-000	0293522
25	° AT, RR. SHOCK SPRING (SHOWA)	----	K	K1	6	----	2	52459-312-003	0229922
26	NUT, LOCK, 10MM NUT, HEX., 10MM	----	K	K1	----	----	2	52482-312-000	0251199
27	RUBBER, JOINT	----	K	K1	6	----	2	52484-292-000	0146530
28	RUBBER, STOPPER RUBBER, STOPPER	----	K	K1	----	----	2	52517-312-000	0251207
29	FENDER COMP. A, RR.	----	K	K1	6	----	1	80100-323-670X	0291526
30	GROMMET, CABLE	----	K	K1	6	----	2	80102-323-000	0255752
31	FENDER B ASSY., RR. FENDER ASSY. B, RR.	----	K	K1	----	----	1	80103-323-000	0266262
32	BUMPER, RR. BUMPER, RR.	----	K	----	6	----	1	84101-323-671	0291534
33	LABEL, MUFFLER CAUTION	----	K	K1	6	----	1	87504-028-670	0117747
34	MARK, TIRE CAUTION MARK, TIRE CAUTION	----	K	----	----	1211679	1	87507-374-670	0362830
35	MARK, TIRE CAUTION MARK, TIRE CAUTION	----	K	----	6	1211680	1	87507-374-671	0418145
35	MARK, TIRE CAUTION MARK, TIRE CAUTION	----	----	----	6	----	1	87505-374-710	0435016
35	MARK, TIRE CAUTION MARK, TIRE CAUTION	----	----	----	6	----	1	87512-371-670	0417857
36	BOLT, CHAIN ADJ.	----	K	K1	6	----	2	90119-300-000	0191312
37	BOLT, RR. SWINGARM PIVOT BOLT, RR. SWINGARM PIVOT	----	K	K1	----	----	1	90121-300-000	0191486
38	BOLT, RR. SWINGARM PIVOT BOLT, RR. SWINGARM PIVOT	----	----	----	6	----	1	90121-390-000	0403279
38	BOLT, RR. SWINGARM PIVOT BOLT, RR. SWINGARM PIVOT	----	----	----	6	----	1	90121-426-000	0742569
38	BOLT, RR. BRAKE STOPPER ARM	----	K	K1	6	----	1	90127-323-000	0254177
39	BOLT, RR. BRAKE STOPPER ARM	----	K	K1	6	----	1	90133-286-000	0155044
40	NUT, RR. SHOCK ABSORBER UPPER	----	K	K1	6	----	2	90309-315-000	0241588
41	NUT, LOCK, 14MM	----	K	K1	6	----	1	90354-268-000	0051979
42	WASHER, 6X20	----	K	K1	----	----	2	90512-300-000	0191494
42	WASHER, 6X20	----	----	----	6	----	4	90512-300-000	0191494
43	WASHER, 6X9	----	K	K1	----	----	2	90513-323-000	0254193
44	WASHER A, HANDLE HOLDER SETTING	----	K	K1	6	----	1	90524-030-000	0021279
45	WASHER, RR. SWINGARM PIVOT BOLT	----	K	K1	6	----	1	90526-268-000	0052076

CONTENTS

TITLE	PAGE GRID
AIR CLEANER	76 F5
ALTERNATOR	24 B12
BOLT	48 C12
BRAKE MASTER, FR	132 C6
CABLE	50 C1
CAMSHAFT	16 B5
CARBURETOR	44 C10
CLUTCH	16 B6
CRANKCASE	40 C8
CRANKCASE COVER	16 B6
CRANKSHAFT	10 B5
CYLINDER	2 B1
CYLINDER	132 C6
EXHAUST MUFFLER	90 E9
FENDER, FR	62 D7
FRAME	118 F11
FUEL TANK	78 E3
HANDLEBAR	50 D1
HEAD	2 B1
HEADLIGHT	56 D4
KICK STARTER SPINDLE	30 C2
OIL FILTER	40 Z8
OIL PUMP	24 B12
SHOCK ABSORBER, RR	9E F1
SPEEDOMETER	56 D4
STEERING STEM	62 D7
STEP	90 E9
SWINGARM	9B F1
TACHOMETER	56 D4
TAILLIGHT K	106 F5
TAILLIGHT K1-76	112 F8
TRANSMISSION	30 C3
TURN SIGNAL K	106 F5
TURN SIGNAL K1-76	112 F8
WASHER (CRANKCASE)	48 C12
WHEEL, FR	70 D11
WHEEL, RR	70 D11
WIRE HARNESS	118 F11

www.ClassicCycles.org

GRID

F2

100 AMERICAN HONDA MOTOR CO. LTD. 1994

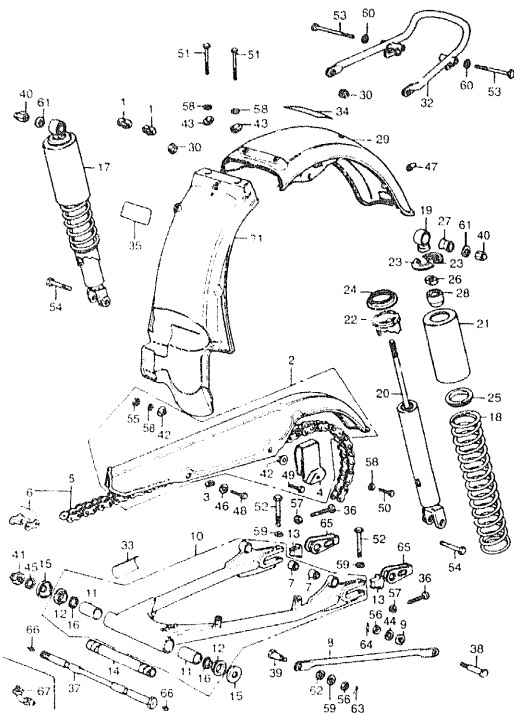
F2

AMERICAN HONDA MOTOR CO. LTD. 1994 101

CB50 ENGINE NO.; CB550E-1000001 TO SUBSEQUENT
CB550 FRAME NO.; CB550K-1000001 TO SUBSEQUENT
CB550K1 ENGINE NO.; CB550E-1029182 TO SUBSEQUENT
CB550K1 FRAME NO.; CB550K-1200001 TO SUBSEQUENT

CB550K76 ENGINE NO.; CB550E-1067334 TO SUBSEQUENT
CB550K76 FRAME NO.; CB550K-1230001 TO SUBSEQUENT

SWINGARM • REAR SHOCK ABSORBER



CAUTION: (OR WARNING) LABELS MUST BE ORDERED SEPARATELY WHEN APPLICABLE.

1 (SEP1980)

K - CB550
K1 - CB550K1
6 - CB550K76

Ref No.	BLOCK NO.	F 7	CB550 K			FRAME SERIAL NUMBER		QTY	PART NUMBER	HONDA CODE
			K	K1	6	FROM	TO			
46	WASHER, 18MM		K	K1	6			1	90581-701-000	0173823
	WASHER, 18MM		K	K1	6			1	90581-831-650	0166454
47	PLUG, CONE		K	K1	6			1	90899-325-610	0274068
48	BOLT, HEX., 6X12		K	K1	6			1	92000-06012	0054197
	BOLT, HEX., 6X12		K	K1	6			1	92101-06012	2738821
	BOLT, HEX., 6X12		K	K1	6			1	92101-06012-0A	3591500
49	BOLT, HEX., 6X14		K	K1	6			1	92000-06014	0054213
	BOLT, HEX., 6X14		K	K1	6			1	92101-06014-0A	2552198
50	BOLT, HEX., 6X16		K	K1	6			1	92000-06016	0054239
	BOLT, HEX., 6X16		K	K1	6			1	92000-06016-0A	0313197
	BOLT, HEX., 6X16		K	K1	6			1	92000-06016-1A	0915124
	BOLT, HEX., 6X16		K	K1	6			1	92100-06016-0A	1685726
	BOLT, HEX., 6X16		K	K1	6			1	92101-06016-0A	2479590
	BOLT, HEX., 6X16		K	K1	6			1	92200-06016-0r	1842400
51	BOLT, HEX., 6X28		K	K1	6			2	92000-06028	0054346
	BOLT, HEX., 6X28		K	K1	6			2	92101-06028-0A	3439427
52	BOLT, HEX., 8X40		K	K1	6			2	92000-08040-0A	0192781
	BOLT, HEX., 8X40		K	K1	6			2	92101-08040-0A	3839321
53	BOLT, HEX., 8X80		K	K1	6			2	93000-08080-0B	0304824
	BOLT, CAP, 8X80				6			2	92600-08080-0B	0435347
54	BOLT, HEX., 10X32		K	K1	6			2	93000-10032-0A	0112664
	BOLT, HEX., 10X32		K	K1	6			2	93100-10032-0A	0338541
55	NUT, HEX., 6MM		K	K1	6			1	90310-KA3-711	1553916
	NUT, HEX., 6MM		K	K1	6			1	94000-06000-0S	1391283
	NUT, HEX., 6MM		K	K1	6			1	94001-06000	0058016
	NUT, HEX., 6MM		K	K1	6			1	94001-06000-0S	0156067
	NUT, HEX., 6MM		K	K1	6			1	94001-06008-0S	2829414
	NUT, HEX., 6MM		K	K1	6			1	94001-06200-0S	2043255
	NUT, HEX., 6MM		K	K1	6			1	94030-C6000	1642693
56	NUT, HEX., 8MM		K	K1	6			2	94001-08000-0S	0167338
57	NUT, HEX., 8MM		K	K1	6			2	94002-08000-0S	0156075
58	WASHER, PLAIN, 6MM		K	K1	6			4	94101-06000	0059071

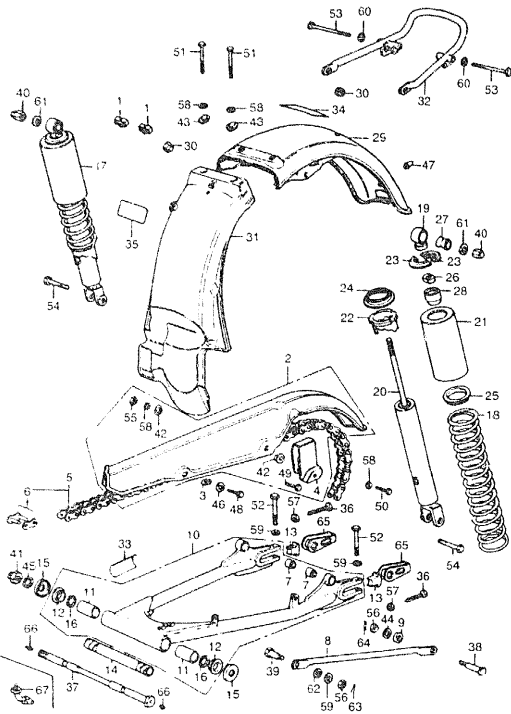
CONTENTS

TITLE	PAGE	GRID
AREAS LABEL	26	E1
ALTERNATOR	28	B10
BEET	40	C10
BEARING (MAIN)	152	E6
BIKE	90	D1
CAMSHAFT	50	E5
CAMSHIFTER	44	C10
CLUTCH	56	B6
CRANKCASE	49	B6
CRANKCASE COVER	74	B6
CRANKSHAFT	50	E5
CYLINDER	2	B1
CYLINDER	152	E6
EXHAUST MANIFOLD	50	E5
EXHAUST PIPE	62	D7
FENDER FR	138	F1
FRAME	70	E3
FUEL TANK	90	D1
HANDLEBAR	2	B1
HEAD	2	B1
HEADLIGHT	56	B6
HEAT SHIELD (SPARK)	46	C8
OIL FILTER	46	C8
OIL PUMP	24	B10
SHOCK ABSORBER FR	98	F1
SPEEDMETER	56	B6
STEERING STEM	42	C7
STEP	90	E9
SWINGARM	58	F1
TACHOMETER	56	B6
TAILLIGHT K	156	K4
TAILLIGHT K1 76	152	F8
TRANSMISSION	30	C3
TURN SIGNAL K	106	F1
TURN SIGNAL K1 76	112	F8
WASHER (CRANKCASE)	48	C10
WHEEL FR	70	D11
WHEEL REA	70	D11
WIRE HARNESS	118	F11

GRID

F3

SWINGARM • REAR SHOCK ABSORBER



CAUTION ON WARNING LABELS MUST BE ORDERED SEPARATELY WHEN APPLICABLE

F13374007

K = CB550
K1 = CB550K1
6 = CB550K76

Ref No.	BLOCK NO. DESCRIPTION	F-7	C B S 5 5 0 K			FRAME SERIAL NUMBER	Q T Y	R E G	PART NUMBER	HONDA CODE
			K	K1	6					
58	WASHER, PLAIN, 6MM	---	K	K1	6	---	4	94101-06800	3136074	
	WASHER, PLAIN, 6MM	---	K	K1	6	---	4	94101-06800	0345900	
59	WASHER, PLAIN, 8MM	---	K	K1	6	---	3	94101-08000	0059097	
60	WASHER, PLAIN, 8MM	---	K	K1	---	---	2	94101-08200	0059105	
61	WASHER, PLAIN, 10MM	---	K	K1	6	---	2	94101-10200	0059121	
62	WASHER, SPRING, 8MM	---	K	K1	6	---	1	94111-10000	0059006	
63	PIN, COTTER 2.0x18	---	K	K1	6	---	1	94201-20180	0219279	
	PIN, COTTER 2.0x20	---	K	K1	6	---	1	94201-20200	0058354	
	PIN, COTTER 2.0x22	---	K	K1	6	---	1	94201-20220	0058362	
	PIN, COTTER 2.0x25	---	K	K1	6	---	1	94201-20250	0058370	
	PIN, COTTER 2.0x32	---	K	K1	6	---	1	94201-20320	0145607	
	PIN, COTTER 2.0x35	---	K	K1	6	---	1	94201-20350	0058388	
	PIN, COTTER 2.0x22	---	K	K1	6	---	1	94201-29220	1484047	
64	PIN, LOCK, 8MM	---	K	K1	6	---	1	94251-08000	0115527	
65	ADJUSTER K, CHAIN	---	K	K1	6	---	2	95014-19000	0255729	
66	FITTING, GREASE	---	K	K1	---	---	2	96201-30000	0053546	
	FITTING, GREASE, A.45	---	K	K1	---	---	2	96201-30001	0258046	
67	FITTING, GREASE, B.765	---	---	---	6	---	1	96201-80000	0393132	

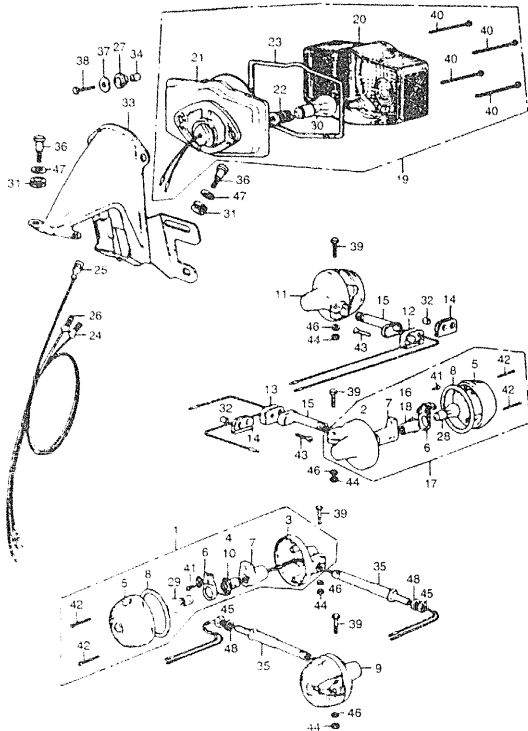
CONTENTS

TITLE	PAGE	GRID
AIR CLEANER	76	E3
ALTERNATOR	24	B12
BEET	48	C12
BRAKE MASTER CYL	132	G4
CABLE	59	D1
CAMSHAFT	19	B5
CARBURETOR	44	C10
CLUTCH	74	B8
CRANKCASE	40	C8
CRANKCASE COVER	76	B8
CRANKSHAFT	10	B5
CYLINDER	2	B1
CYLINDER	132	G4
EXHAUST MUFFLER	90	E9
FENDER FR	42	D7
FRAME	118	F11
FUEL TANK	76	E3
FUEL TANK HEAD	50	D1
HEAD	27	B1
HEADLIGHT	56	D4
KICK STARTER SPINDLE	30	C5
OIL FILTER	40	C8
OIL PUMP	24	B12
SHOCK ABSORBER FR	98	F1
SPEEDOMETER	56	D4
STEERING STEM	40	D7
STEP	90	E9
SWINGARM	98	F1
TACHOMETER	56	D4
TAILLIGHT K	106	F5
TAILLIGHT K1-76	112	F8
TRANSMISSION	30	C3
TURN SIGNAL K	112	F8
TURN SIGNAL K1-76	48	C12
WASHER (CRANKCASE)	70	D1
WHEEL FR	70	D11
WIRE HARNESS	118	F11

GRID

F4

TAILLIGHT • TURN SIGNAL - K



F1337400R

K = CB550
K1 = CB550K1
6 = CB550K76

Ref No	BLOCK NO DESCRIPTION	F-B	CB550			FRAME SERIAL NUMBER	QTY REQ	PART NUMBER	HONDA CODE
			K	1	6				
1	TURN SIGNAL ASSY., R. FR.	K	--	--	--	---	1	33400-341-702	0314724
2	BASE, TURN SIGNAL	K	--	--	--	---	2	33401-292-003	0145250
	BASE, TURN SIGNAL	K	--	--	--	---	2	33401-341-791	0314732
3	BASE, TURN SIGNAL	K	--	--	--	---	2	33401-341-701	0314732
4	SOCKET, R. FR. TURN SIGNAL	K	--	--	--	---	1	33402-341-702	0314740
5	LENS, FR. TURN SIGNAL (STANLEY)	K	--	--	--	---	4	33402-268-671	0134221
	LENS, FR. TURN SIGNAL (STANLEY)	K	--	--	--	---	4	33402-268-672	2553055
	LENS, FR. TURN SIGNAL	K	--	--	--	---	4	33404-268-671	0447888
6	SOCKET, TURN SIGNAL	K	--	--	--	---	4	33407-284-000	0145284
	HOLDER, FR. TURN SIGNAL SOCKET (STANLEY)	K	--	--	--	---	4	33407-284-003	0354456
7	RUBBER, TURN SIGNAL CUSHION (STANLEY)	K	--	--	--	---	2	33408-341-701	0314765
8	GASKET, TURN SIGNAL LENS	K	--	--	--	---	4	33443-268-671	0148965
9	TURN SIGNAL ASSY., L. FR.	K	--	--	--	---	1	33450-341-702	0314773
10	SOCKET COMP., L. FR. TURN SIGNAL	K	--	--	--	---	1	33453-341-702	0314781
11	TURN SIGNAL ASSY., R. FR.	K	--	--	--	---	1	33600-300-000	0191742
	TURN SIGNAL ASSY., R. RR.	K	--	--	--	---	1	33600-306-670	0196121
	TURN SIGNAL ASSY., R. RR. (12V 23W)	K	--	--	--	---	1	33600-306-679	2061778
	TURN SIGNAL ASSY., L. RR.	K	--	--	--	---	1	33600-415-000	0668541
	TURN SIGNAL ASSY., L. RR.	K	--	--	--	---	1	33650-306-670	0196139
12	STOPPER, R. RR. TURN SIGNAL	K	--	--	--	---	1	33604-323-670	0254391
13	STOPPER, L. RR. TURN SIGNAL	K	--	--	--	---	1	33605-323-670	0254409
14	RUBBER, RR. TURN SIGNAL MOUNT	K	--	--	--	---	2	33606-074-010	0258160
15	STAY, R. RR. TURN SIGNAL	K	--	--	--	---	2	33607-323-670	0254672
16	SOCKET COMP., R. RR. TURN SIGNAL	K	--	--	--	---	1	33610-300-000	0191767
17	TURN SIGNAL ASSY., R. RR.	K	--	--	--	---	1	33600-306-679	2061778
	TURN SIGNAL ASSY., L. FR.	K	--	--	--	---	1	33650-300-000	0191783
18	SOCKET COMP., L. RR. TURN SIGNAL	K	--	--	--	---	1	33660-300-000	0191791
19	TAILLIGHT UNIT	K	--	--	--	---	1	33701-341-671	0268755
20	LENS, TAILLIGHT	K	--	--	--	---	1	33702-341-671	0268680
21	BASE COMP., TAILLIGHT	K	--	--	--	---	1	33703-341-671	0268698
22	CABLE COMP., TAILLIGHT	K	--	--	--	---	1	33708-341-671	0268706

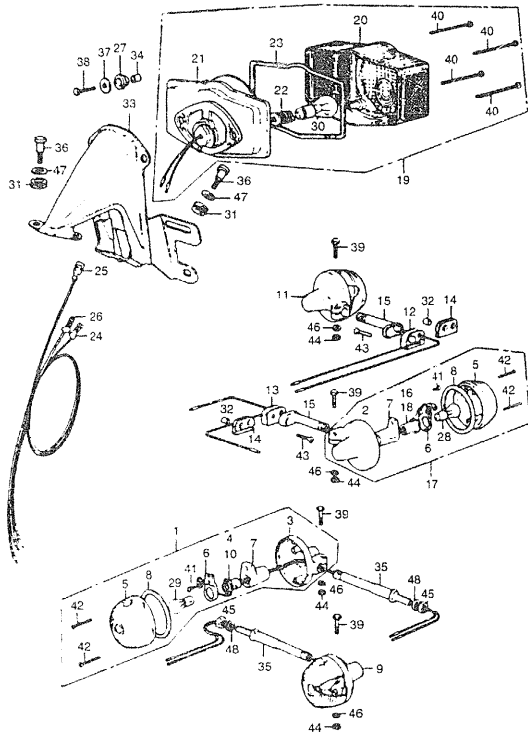
CONTENTS

TITLE	PAGE GRID
AIR CLEANER	74 F1
ALTERNATOR	24 D2
BOLT	48 C12
BRAKE MASTER FR	132 C6
CABLE	80 D1
CAMSHAFT	10 B5
CARBURETOR	44 C10
CLUTCH	16 F9
CRANKCASE	40 C8
CRANKCASE COVER	16 B8
CRANKSHAFT	10 B5
CYLINDER	2 E1
CYLINDER	112 D6
EXHAUST MUFFLER	90 F4
FENDER FR	62 D7
FRAME	118 F11
FUEL TANK	78 E3
HANDLEBAR	50 D1
HEAD	2 B1
HEADLIGHT	56 D4
KICK STARTER SPINDLE	30 C3
OIL FILTER	40 C8
OIL PUMP	24 B12
SHOCK ABSORBER RR	98 F1
SPEEDOMETER	56 D4
STEERING STEM	62 D7
STEP	90 E4
SWINGARM	98 F1
TACHOMETER	56 D4
TAILLIGHT P	106 E5
TAILLIGHT K1-76	112 F8
TRANSMISSION	30 C3
TURN SIGNAL K	106 E5
TURN SIGNAL K1-76	112 F8
WASHER (CRANKCASE)	48 C12
WHEEL FR	70 D11
WHEEL RR	70 D11
WIRE HARNESS	118 F11

CB550 ENGINE NO.; CB550E-1070001 TO SUBSEQUENT
CB550 FRAME NO.; CB550X-1000001 TO SUBSEQUENT
CB550K1 ENGINE NO.; CB550E-1029182 TO SUBSEQUENT
CB550K1 FRAME NO.; CB550X-1200001 TO SUBSEQUENT

CB550K76 ENGINE NO.; CB550E-1067334 TO SUBSEQUENT
CB550K76 FRAME NO.; CB550X-1230001 TO SUBSEQUENT

TAILLIGHT • TURN SIGNAL - K



F13374008

K = CB550
K1 = CB550K1
6 = CB550K76

Ref. No.	BLOCK NO. DESCRIPTION	F-8	CB550			FRAME SERIAL NUMBER		QTY	PART NUMBER	HONDA CODE
			K	K1	6	FROM	TO			
23	GASKET, TAILLIGHT LENS	----	K	----	----	----	----	1	33709-341-671	0268714
24	CABLE, TAILLIGHT SUB	----	K	----	----	----	----	1	33711-323-000	0312645
25	CABLE, TAILLIGHT GROUND (STANLEY)	----	K	----	----	----	----	1	33712-300-003	0192013
26	CABLE, STOPLIGHT SUB	----	K	----	----	----	----	1	33713-323-000	0312652
27	GASKET B, TAILLIGHT BASE	----	K	----	----	----	----	2	33719-077-671	0178681
28	BULB, TURN SIGNAL (12V 23W)	----	K	----	----	----	----	2	34905-268-671	0145318
29	BULB, 12V23/7W 1034	----	K	----	----	----	----	2	34901-504-003	0504530
	BULB, STOP & TAILLIGHT (12V23/8W)	----	K	----	----	----	----	2	34906-313-671	0210815
30	BULB, TAILLIGHT (12V27/7W 2057HD)	----	K	----	----	----	----	1	34906-M69-771	1706301
	BULB, TAILLIGHT (12V 27/8W)	----	K	----	----	----	----	1	34906-341-671	0273540
31	RUBBER, RR. FENDER CUSHION	----	K	----	----	----	----	4	80101-283-000	0077271
32	COLLAR A, RR. FENDER	----	K	----	----	----	----	2	80108-061-000	0255778
	COLLAR A, RR. FENDER	----	K	----	----	----	----	2	80108-061-010	0186643
33	BRACKET, NUMBER PLATE	----	K	----	----	----	----	1	84701-341-670XW	0291963
34	COLLAR, LICENSE PLATE BRACKET	----	K	----	----	----	----	2	84706-341-000	0273987
35	BOLT, FR. TURN SIGNAL MOUNT	----	K	----	----	----	----	2	90154-341-670	0315341
36	BOLT, TAILLIGHT SETTING	----	K	----	----	----	----	4	90162-283-000	0078782
	BOLT, FR. FENDER SETTING	----	K	----	----	----	----	4	90162-732-000	0212829
37	WASHER, 20MM	----	K	----	----	----	----	2	90581-310-000	0113092
38	BOLT, HEX., 5X20	----	K	----	----	----	----	2	92000-05020-08	0192955
39	BOLT, HEX., 6X28	----	K	----	----	----	----	4	93000-06028-08	2401479
	BOLT, HEX., 6X28	----	K	----	----	----	----	4	93000-06028-02	0256891
	BOLT, HEX., 6X28	----	K	----	----	----	----	4	93100-06028-08	0228767
	BOLT, HEX. 6X28	----	K	----	----	----	----	4	93101-06028-08	3836327
40	SCREW, PAN, 4X55	----	K	----	----	----	----	4	93500-04055-4J	0274084
41	SCREW, PAN, 5X8	----	K	----	----	----	----	4	93500-05008-0A	0145540
42	SCREW, OVAL, 3X25	----	K	----	----	----	----	8	93700-03025-08	0145334
43	SCREW, OVAL, 6X25	----	K	----	----	----	----	2	93700-06025-08	0420521
	SCREW, 6X25	----	K	----	----	----	----	2	93700-06025-02	0056564
44	NUT, HEX., 6MM	----	K	----	----	----	----	4	90310-KA3-711	1553916
	NUT, HEX., 6MM	----	K	----	----	----	----	4	94000-06000-0S	1391283
	NUT, HEX., 6MM	----	K	----	----	----	----	4	94001-06000	0058016

AMERICAN HONDA MOTOR CO. LTD 1984 109

CONTENTS

TITLE	PAGE	GRID
AIR CLEANER	76	E3
ALTERNATOR	24	B12
BOLT	46	G19
BRAKE MASTER FR	32	G6
CABLE	55	D1
CAMSHAFT	16	B5
CARBURETOR	44	G10
CLUTCH	74	B6
CRANKCASE	40	C8
CRANKCASE COVER	16	B8
CRANKSHAFT	10	B5
CYLINDER	2	B1
CYLINDER	13	G6
EXHAUST MUFFLER	90	E9
FENDER FR	62	D7
FRAME	118	F11
FUEL TANK	78	E3
HANDLEBAR	50	L1
HEAD	2	B1
HEADLIGHT	54	D4
KICK STARTER SPINDLE	30	J3
OIL FILTER	40	C8
OIL PUMP	24	E12
SHOCK ABSORBER FR	98	F1
SPEEDOMETER	36	D4
STEERING STEM	62	D7
STEP	90	E9
SWINGARM	38	F1
TACHOMETER	36	D4
TAILLIGHT K	106	F5
TAILLIGHT K1-76	112	F8
TRANSMISSION	30	C3
TURN SIGNAL K	102	F5
TURN SIGNAL K1-76	112	F8
WASHER (CRANKCASE)	48	C19
WHEEL FR	70	D11
WHEEL RR	70	D11
WIRE HARNESS	116	F11

www.ClassicCycles.org

GRID

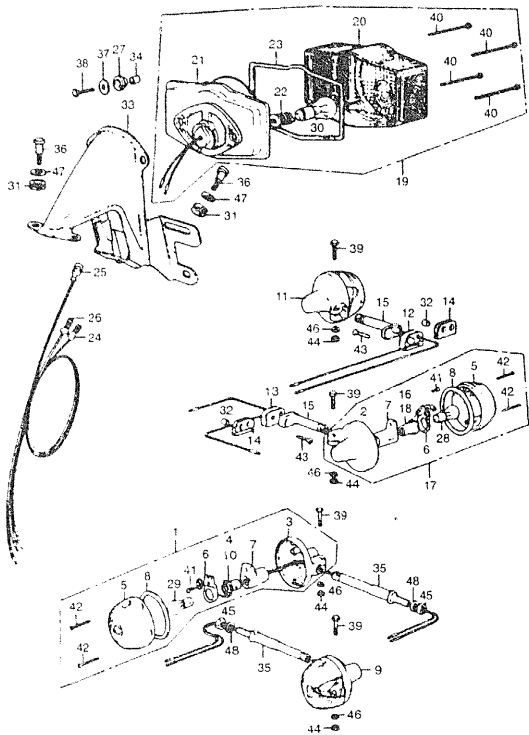
F6

109 AMERICAN HONDA MOTOR CO. LTD 1984

CB550 ENGINE NO.; CB550E-1000001 TO SUBSEQUENT
CB550 FRAME NO.; CB550K-1000001 TO SUBSEQUENT
CB550K1 ENGINE NO.; CB550E-1029182 TO SUBSEQUENT
CB550K1 FRAME NO.; CB550K-1200001 TO SUBSEQUENT

CB550K76 ENGINE NO.; CB550E-1067334 TO SUBSEQUENT
CB550K76 FRAME NO.; CB550K-1230001 TO SUBSEQUENT

TAILLIGHT • TURN SIGNAL - K



F 10374006

K = CB550
 K1 = CB550K1
 6 = CB550K76

Ref No	BLOCK NO. DESCRIPTION	F-8			K K1 6	C B 5 5 0 K	S E R I A L N U M B E R	O T Y P E	P A R T N U M B E R	H O N D A C O D E
		FRAME		R E Q						
		FROM	TO							
44	NUT, HEX., 6MM	K	--	--	4	94001-06000-05	0156067			
	NUT, HEX., 6MM	K	--	--	4	94001-06008-05	2829474			
	NUT, HEX., 6MM	K	--	--	4	94001-06200-05	2043255			
	NUT, HEX., 6MM	K	--	--	4	94030-06000	1642693			
45	NUT, HEX., 10MM	K	--	--	2	94001-10000-05	0145391			
46	WASHER, PLAIN, 6MM	K	--	--	4	94101-06000	0059071			
	WASHER, PLAIN, 6MM	K	--	--	4	94101-06080	2136074			
	WASHER, PLAIN, 6MM	K	--	--	4	94101-06800	0345900			
47	WASHER, PLAIN, 8MM	K	--	--	4	94101-08200	0059105			
48	WASHER, SPRING, 8MM	K	--	--	2	94111-10000	0059006			

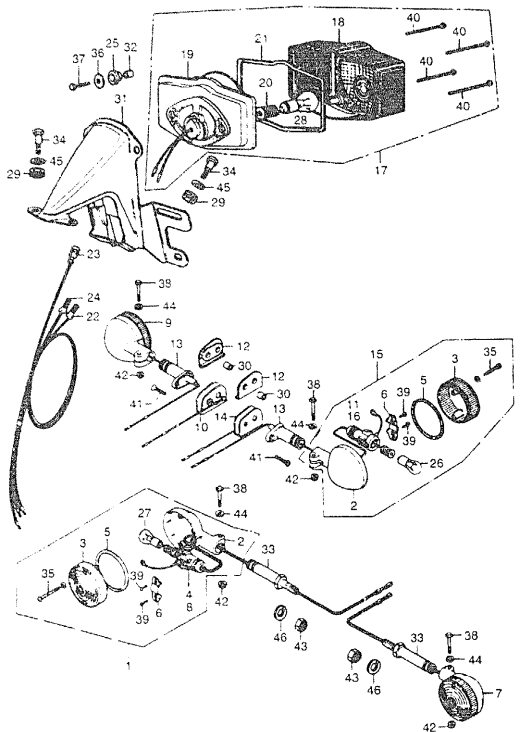
CONTENTS

TITLE	PAGE GRID
AIR CLEANER	76 E3
ASSEMBLY	24 E10
BOX	48 C10
BIFARE MASTER FH	730 C6
CRANK	59 D1
CRANKSHAFT	10 E5
CRANKSETTOR	44 C10
CLUTCH	74 B6
CRANKCASE	40 C6
CRANKCASE COVER	74 B6
CRANKSHAFT	10 E5
CYLINDER	2 E3
CYLINDER	10 E6
EXHAUST MUFFLER	96 E9
FENDER FH	42 E7
FRAME	118 E11
FUEL TANK	78 E3
HANDLEBAR	78 D3
HEAD	2 E3
HEADLIGHT	16 D4
HEADLIGHTER SPINDLE	30 C4
HEADLIGHT	40 C8
OR PUMP	24 E10
SHOCK ABSORBER RH	98 F1
SPEEDOMETER	76 D4
STEERING STEM	42 E7
STEP	90 E9
SWINGARM	98 F1
TACHOMETER	56 D4
TAILLIGHT K	106 F5
TAILLIGHT K1-76	112 F8
TRANSMISSION	30 C3
TURN SIGNAL K	706 E5
TURN SIGNAL K1-76	112 F8
WASHER (CRANKCASE)	48 C10
WHEEL FH	70 D11
WHEEL RH	70 D11
WIRE HARNESS	118 F11

(SHI)

F7

TAILLIGHT • TURN SIGNAL - K1-76



F 1337400603

K = CB550
K1 = CB550K1
6 = CB550K76

Ref No	BLOCK NO DESCRIPTION	F-8-1	K		QTY	FRAME SERIAL NUMBER	PART NUMBER	HONDA CODE
			K1	6				
1	TURN SIGNAL ASSY., R. FR.	--	K1	6	1	33400-377-671	0386334	
	TURN SIGNAL ASSY., R. FR.	--	K1	6	1	33400-461-670	0918516	
	TURN SIGNAL ASSY., R. FR.	--	K1	6	1	33400-461-679	2079218	
2	BASE, R. FR. TURN SIGNAL	--	K1	6	4	33401-377-671	0386342	
3	LENS, FR. TURN SIGNAL	--	K1	6	4	33402-377-671	0386359	
4	SOCKET COMP., R. FR. TURN SIGNAL ..	--	K1	6	1	33405-377-671	0386367	
5	GASKET, TURN SIGNAL LENS	--	K1	6	4	33406-377-671	0387944	
6	HOLDER, FR. TURN SIGNAL SOCKET ...	--	K1	6	4	33407-377-671	0386375	
7	TURN SIGNAL ASSY., R. FR.	--	K1	6	1	33400-377-671	0386334	
	TURN SIGNAL ASSY., R. FR.	--	K1	6	1	33400-461-670	0918516	
	TURN SIGNAL ASSY., R. FR.	--	K1	6	1	33400-461-679	2079218	
	TURN SIGNAL ASSY., L. FR.	--	K1	6	1	33450-377-671	0386383	
8	SOCKET COMP., L. FR. TURN SIGNAL ..	--	K1	6	1	33455-377-671	0386391	
9	TURN SIGNAL, R. RR.	--	K1	6	1	33600-374-671	0387662	
10	STOPPER, R. RR. TURN SIGNAL	--	K1	6	1	33604-374-670	0387670	
11	SOCKET COMP., R. RR. TURN SIGNAL ..	--	K1	6	1	33605-374-671	0387688	
	SOCKET COMP., R. RR. TURN SIGNAL ..	--	K1	6	1	33610-374-671	0699447	
12	RUBBER, RR. TURN SIGNAL SETTING ..	--	K1	6	2	33606-374-670	0387696	
13	STAY, R. RR. TURN SIGNAL	--	K1	6	2	33607-374-670	0387704	
14	STOPPER, L. RR. TURN SIGNAL	--	K1	6	1	33609-374-670	0387712	
15	TURN SIGNAL ASSY., L. RR.	--	K1	6	1	33650-374-671	0387720	
16	SOCKET COMP., L. RR. TURN SIGNAL ..	--	K1	6	1	33655-374-671	0387738	
	SOCKET COMP., L. RR. TURN SIGNAL ..	--	K1	6	1	33660-374-671	0746461	
17	TAILLIGHT UNIT	--	K1	--	1	33701-341-671	0268755	
	TAILLIGHT UNIT (12V 32/3CP)	--	6	--	1	33701-341-910	0435156	
18	LENS, TAILLIGHT	--	K1	--	1	33702-341-671	0268680	
19	BASE COMP., TAILLIGHT	--	K1	--	1	33703-341-671	0268698	
	BASE COMP., TAILLIGHT	--	6	--	1	33703-341-900	0435164	
20	CABLE COMP., TAILLIGHT	--	K1	6	1	33708-341-671	0268706	
21	GASKET, TAILLIGHT LENS	--	K1	6	1	33709-341-671	0268714	
22	CABLE, TAILLIGHT SUB	--	K1	6	1	33711-323-000	0312645	
23	CABLE, TAILLIGHT GROUND (STANLEY)	--	K1	6	1	33712-300-003	0192013	

AMERICAN HONDA MOTOR CO., LTD. 1984 113

CONTENTS

TITLE	PAGE GRID
AIR CLEANER	76 E3
ALTERNATOR	24 B12
BOLT	46 C12
BRAKE MASTER FH	132 G4
CRANK	50 E1
CRANKSHAFT	10 B5
CARBURETOR	44 C10
CLUTCH	16 B9
CRANKCASE	49 C8
CRANKCASE COVER	14 B9
CRANKSHAFT	10 B5
CYLINDER	7 B5
CYLINDER	102 G6
EXHAUST MUFFLER	90 E9
FENDER FR	65 D7
FRAME	116 F11
FUEL TANK	76 E3
HANDLEBAR	50 D1
HEAD	2 B1
HEADLIGHT	56 D4
KICK STARTER SPINDLE	50 C2
OIL FILTER	40 C8
OIL PUMP	24 B12
SHOCK ABSORBER FR	96 F1
SPEEDOMETER	56 D4
STEERING STEM	62 D7
STEP	90 E9
SWINGARM	98 F1
TACHOMETER	86 D4
TAILLIGHT K	106 F5
TAILLIGHT K1-76	112 F8
TRANSMISSION	20 C3
TURN SIGNAL K	106 F5
TURN SIGNAL K1-76	112 F8
WASHER (CRANKCASE)	48 C12
WHEEL FR	70 D11
WHEEL RR	70 D11
WIFE HARNESS	118 F11

www.ClassicCycles.org

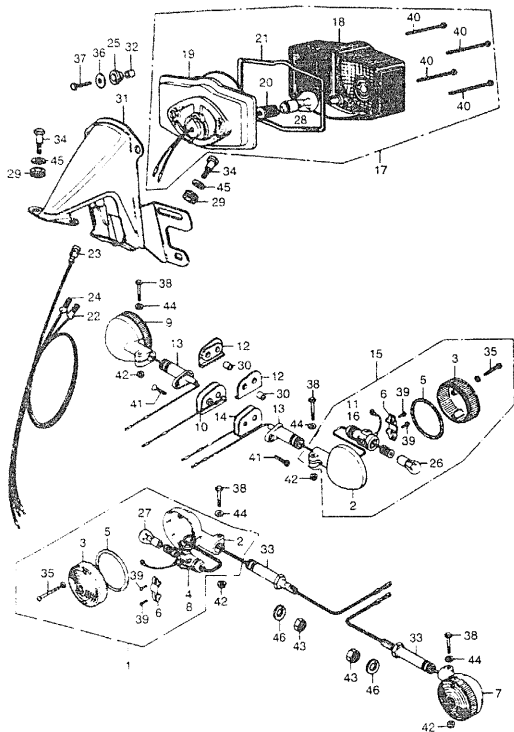
AMERICAN HONDA MOTOR CO., LTD. 1984

CB550 ENGINE NO.; CB550E-1000001 TO SUBSEQUENT
CB550 FRAME NO.; CB550K-1000001 TO SUBSEQUENT
CB550K1 ENGINE NO.; CB550E-1029182 TO SUBSEQUENT
CB550K1 FRAME NO.; CB550K-1200001 TO SUBSEQUENT

CB550K76 ENGINE NO.; CB550E-1067334 TO SUBSEQUENT
CB550K76 FRAME NO.; CB550K-1230001 TO SUBSEQUENT

F8

TAILLIGHT • TURN SIGNAL - K1-76



F1337409801

K = CB550
K1 = CB550K1
6 = CB550K76

Ref No.	BLOCK NO. F-8-1 DESCRIPTION	CB550			FRAME SERIAL NUMBER	QTY	PART NUMBER	HONDA CODE
		K	K1	6				
24	CABLE, STOPLIGHT SUB	--	K1	6	-----	1	33713-323-000	0312652
25	GASKET B, TAILLIGHT BASE	--	K1	--	-----	2	33719-077-671	0178681
	RUBBER, REGULATOR CUSHION	----	6	----	-----	2	31403-300-000	0191825
	RUBBER, REGULATOR CUSHION	----	6	----	-----	2	31403-323-000	0254300
26	BULB, TURN SIGNAL (12V 23W)	--	K1	6	-----	2	34905-268-671	0145318
27	BULB, 12V23/7W 1034	--	K1	6	-----	2	34901-504-003	0504530
	BULB, STOP & TAILLIGHT (12V23/8W)	--	K1	6	-----	2	34906-313-671	0210815
28	BULB, TAILLIGHT (12V27/7W 2057HD)	--	K1	6	-----	1	34906-M69-771	1700301
	BULB, TAILLIGHT (12V 21/8W)	--	K1	6	-----	1	34906-341-671	0273540
29	RUBBER, RR. FENDER CUSHION	--	K1	6	-----	4	80101-283-000	0077271
30	COLLAR A, RR. FENDER	--	K1	6	-----	2	80108-061-010	0186643
31	BRACKET, NUMBER PLATE	--	K1	6	-----	1	84701-341-670XW	0291963
32	COLLAR, LICENSE PLATE BRACKET	--	K1	--	-----	2	84706-341-000	0273987
	COLLAR, TAILLIGHT UNIT	----	6	----	-----	2	84706-378-000	0356626
33	BOLT, FR. TURN SIGNAL MOUNT	--	K1	6	-----	2	90154-374-670	0388788
34	BOLT, TAILLIGHT SETTINGS	--	K1	6	-----	4	90162-283-000	0078782
	BOLT, FR. FENDER SETTING	----	K1	6	-----	4	90162-292-000	0212829
35	SCREW, PAN, 4X25	--	K1	6	-----	8	90192-377-671	0386946
36	WASHER, 20MM	--	K1	6	-----	2	90581-310-000	0113092
37	BOLT, HEX., 5X20	--	K1	--	-----	2	92000-05020-0B	0192955
	BOLT, HEX., 5X25	----	6	----	-----	2	92000-05025-0A	0207852
	BOLT, HEX., 5X25	----	6	----	-----	2	92101-05025-0A	2756260
38	BOLT, HEX., 6X35	--	K1	6	-----	4	93000-06035-0B	0412270
	BOLT, HEX., 6X35	----	K1	6	-----	4	93000-06035-02	0387894
	BOLT, HEX., 6X35	----	K1	6	-----	4	93101-06035-02	4545653
39	SCREW, PAN, 3X6	--	K1	--	1215784	8	93500-03006-0A	0166652
	SCREW, PAN, 3X8	----	6	----	-----	8	93500-03008-0H	0374694
	SCREW, PAN, 3X8	----	K1	--	1215785	8	93500-03008-0H	0374694
40	SCREW, PAN, 4X55	--	K1	6	-----	4	93500-04055-4J	0274084
41	SCREW, OVAL, 6X25	--	K1	6	-----	2	93700-06025-0B	0420521
	SCREW, 6X25	----	K1	6	-----	2	93700-06025-02	0056564
42	NUT, HEX., 6MM	--	K1	--	-----	4	90310-K1-3-711	1553916
	NUT, HEX., 6MM	----	K1	--	-----	4	94000-06000-0S	1391283

CONTENTS

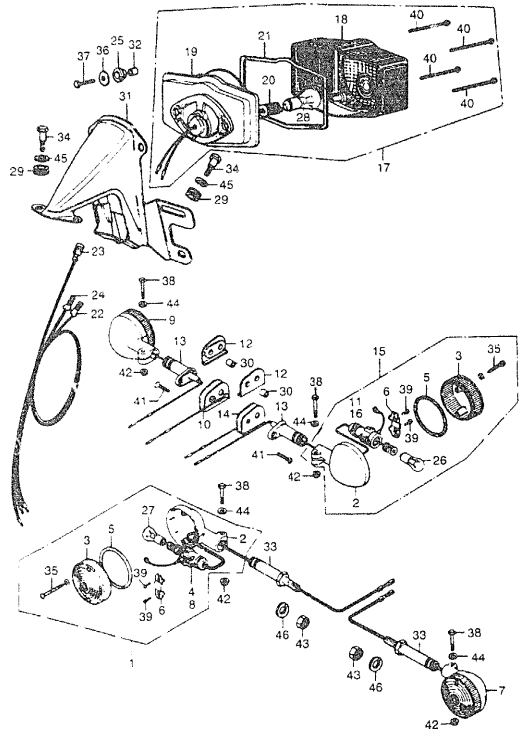
TITLE	PAGE	GRID
AIR CLEANER	76	E3
ALTERNATOR	24	B12
BOLT	48	C12
BRAKE MASTER FR	130	G6
CABLE	59	D1
CAMSHAFT	10	B5
CARBURETOR	44	C10
CLUTCH	76	B9
CRANKCASE	40	C8
CRANKCASE COVER	16	B6
CRANKSHAFT	10	B5
CYLINDER	2	B1
CYLINDER	132	G6
EXHAUST MUFFLER	80	E9
FENDER FR	62	D7
FRAME	118	F11
FUEL TANK	76	E5
HANDLEBAR	50	D1
HEAD	2	B1
HEADLIGHT	56	D4
KICK STARTER SPINDLE	70	C3
OIL FILTER	40	C8
OIL PUMP	24	B12
SHOCK ABSORBER FR	96	F1
SPEEDOMETER	56	D4
STEERING STEM	62	D7
STEP	90	E9
SWINGARM	98	F1
TACHOMETER	56	D4
TAILLIGHT K	106	F5
TAILLIGHT K1-76	112	F8
TRANSMISSION	30	C3
TURN SIGNAL K	106	F5
TURN SIGNAL K1-76	112	F8
WASHER (CRANKCASE)	48	C12
WHEEL FR	70	D11
WHEEL RR	70	D11
WIRE HARNESS	118	F11

www.ClassicCycles.org

GRID

F9

TAILLIGHT • TURN SIGNAL - K1-76



F137400801

K = CB550
 K1 = CB550K1
 6 = CB550K76

Ref. No.	BLOCK NO. DESCRIPTION	F-8-1	CB550		FRAME SERIAL NUMBER	QTY	R E O	PART NUMBER	HONDA CODE
			K	K1					
42	NUT, HEX., 6MM	---	K1	---	---	4	94001-06000	0058016	
	NUT, HEX., 6MM	---	K1	---	---	4	94001-06000-0S	0156067	
	NUT, HEX., 6MM	---	K1	---	---	4	94001-06008-0S	2829414	
	NUT, HEX., 6MM	---	K1	---	---	4	94001-06200-0S	2043255	
	NUT, HEX., 6MM	---	K1	---	---	4	94030-06000	1642693	
	NUT, FLANGE, 6MM	---	6	---	---	4	18362-720	0293084	
	NUT, FLANGE, 6MM	---	6	---	---	4	94050-06000	0471623	
43	NUT, HEX., 12MM	---	K1	6	---	2	94001-12000-0S	0169508	
44	WASHER, PLAIN, 6MM	---	K1	---	---	4	94101-06000	0059071	
	WASHER, PLAIN, 6MM	---	K1	---	---	4	94101-06080	3136074	
	WASHER, PLAIN, 6MM	---	K1	---	---	4	94101-06800	0345900	
45	WASHER, PLAIN, 8MM	---	K1	6	---	4	94101-08200	0059105	
46	WASHER, SPRING, 12MM	---	K1	6	---	2	94111-12000	0059022	

F AMERICAN HONDA MOTOR CO. LTD. 1984 117

CONTENTS

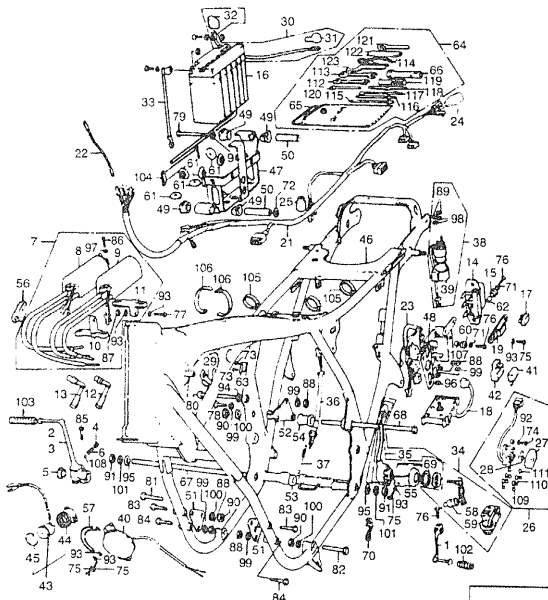
TITLE	PAGE	GRID
AIR CLEANER	78	E3
ALTERNATOR	24	B12
BOLT	48	C12
BRAKE MASTER FR	132	G6
CABLE	50	D1
CAMSHAFT	10	B5
CARBURETOR	44	C16
CLUTCH	16	E9
CRANKCASE	40	C8
CRANKCASE COVER	16	B8
CRANKSHAFT	10	B5
CYLINDER	2	B1
CYLINDER	132	G6
EXHAUST MUFFLER	90	E9
FENDER FR	52	D7
FRAME	118	F11
FUEL TANK	78	E3
HANDLEBAR	50	D1
HEAD	2	B1
HEADLIGHT	56	D4
KICK STARTER SPINDLE	30	C3
OIL FILTER	40	C8
OIL PUMP	24	B12
SHOCK ABSORBER RR	88	F1
SPEEDOMETER	56	D4
STEERING STEM	82	D7
STEP	90	E9
SWINGARM	98	F1
TACHOMETER	56	D4
TAILLIGHT K	106	F2
TAILLIGHT K1-76	112	F8
TRANSMISSION	30	C3
TURN SIGNAL K	106	F2
TURN SIGNAL K1-76	112	F8
WASHER (CRANKCASE)	48	C12
WHEEL FR	70	D1
WHEEL RR	70	D11
WIRE HARNESS	118	F11

www.ClassicCycles.org

116 F AMERICAN HONDA MOTOR CO. LTD. 1984
 CB550 ENGINE NO.; CB550E-1000001 TO SUBSEQUENT
 CB550 FRAME NO.; CB550K-1000001 TO SUBSEQUENT
 CB550K1 ENGINE NO.; CB550E-1029182 TO SUBSEQUENT
 CB550K1 FRAME NO.; CB550K-1200001 TO SUBSEQUENT

CB550K176 ENGINE NO.; CB550E-1067334 TO SUBSEQUENT
 CB550K176 FRAME NO.; CB550K-1230001 TO SUBSEQUENT

FRAME • WIRE HARNESS



"CAUTION OR WARNING LABELS MUST BE ORDERED SEPARATELY WHEN APPLICABLE"

F13374009

K = CB550
K1 = CB550K1
6 = CB550K76

Ref. No.	BLOCK NO. DESCRIPTION	F-9	CB550 K			FRAME SERIAL NUMBER		QTY REQ	PART NUMBER	HONDA CODE
			K	K1	6	FROM	TO			
1	PEDAL, GEAR CHANGE	---	K	K1	6	---	---	1	24700-323-010	0254235
2	ARM COMP., KICK STARTER	---	K	---	---	1022428	---	1	28300-323-010	0254243
	ARM ASSY., KICK STARTER	---	K	---	---	1022428	---	1	28300-374-000	0434241
		---	K	---	---	---	---	1	28300-374-000	0434241
	ARM COMP., KICK STARTER	---	K	---	---	1022428	---	1	28300-404-670	0468751
		---	K	---	---	---	---	1	28300-404-670	0468751
3	ARM ASSY., KICK STARTER	---	K	---	---	---	---	1	28300-374-000	0434241
	ARM COMP., KICK STARTER	---	K	---	---	---	---	1	28300-404-670	0468751
4	BOLT, KICK ARM	---	K	K1	6	---	---	1	28303-310-010	0113860
5	CAP, KICK ARM	---	K	K1	6	---	---	1	28305-310-000	0113878
6	SPRING, KICK STARTER STOPPER	---	K	K1	6	---	---	1	28333-310-000	0113886
7	COIL ASSY., IGNITION	---	K	K1	6	---	---	1	30500-323-023	0254250
	COIL ASSY., IGNITION	---	K	K1	6	---	---	1	30500-404-000	0468769
8	COIL, R. IGNITION	---	K	K1	6	---	---	1	30501-323-003	0254268
9	COIL, L. IGNITION	---	K	K1	6	---	---	1	30502-323-003	0254276
10	BRACKET, IGNITION COIL	---	K	K1	6	---	---	1	30511-300-000	0192104
11	BRACKET B, IGNITION COIL	---	K	K1	6	---	---	1	30512-323-000	0254284
12	CAP ASSY., NOISE SUPPRESSOR	---	K	K1	6	---	---	2	30700-GAR-000	4192779
	CAP ASSY. A, NOISE SUPPRESSOR	---	K	K1	6	---	---	2	30700-300-010	0229187
	CAP ASSY. A, NOISE SUPPRESSOR	---	K	K1	6	---	---	2	30700-405-153	0482711
	CAP ASSY. A, NOISE SUPPRESSOR	---	K	K1	6	---	---	2	30700-405-163	3528221
13	CAP ASSY. C, NOISE SUPPRESSOR	---	K	K1	6	---	---	2	30701-323-013	0254292
		---	---	---	6	1241400	---	2	30701-323-013	0254292
	CAP ASSY., NOISE SUPPRESSOR	---	K	K1	6	---	---	2	30700-MC8-000	1234616
		---	---	---	6	1241400	---	2	30700-MC8-000	1234616
	CAP ASSY. C, NOISE SUPPRESSOR	---	K	K1	6	---	---	2	30700-390-153	0488015
		---	---	---	6	1241400	---	2	30700-390-153	0488015
	CAP ASSY. C, NOISE SUPPRESSOR	---	K	K1	6	---	---	2	30700-390-163	3819133
		---	---	---	6	1241400	---	2	30700-390-163	3819133
	CAP ASSY. C, NOISE SUPPRESSOR	---	K	K1	6	---	---	2	30701-323-023	0474774
		---	---	---	6	1241400	---	2	30701-323-023	0474774
14	REGULATOR ASSY. (HITACHI)	---	K	K1	6	---	---	1	31400-300-035	0191817
15	RUBBER, REGULATOR CUSHION	---	K	K1	6	---	---	2	31403-323-000	0254300
16	BATTERY ASSY. (12V12A)	---	K	K1	6	---	---	1	31500-310-671	0113142
	BATTERY ASSY.	---	K	K1	6	---	---	1	98203-22250	0430462

AMERICAN HONDA MOTOR CO., LTD. 1984 119

CONTENTS

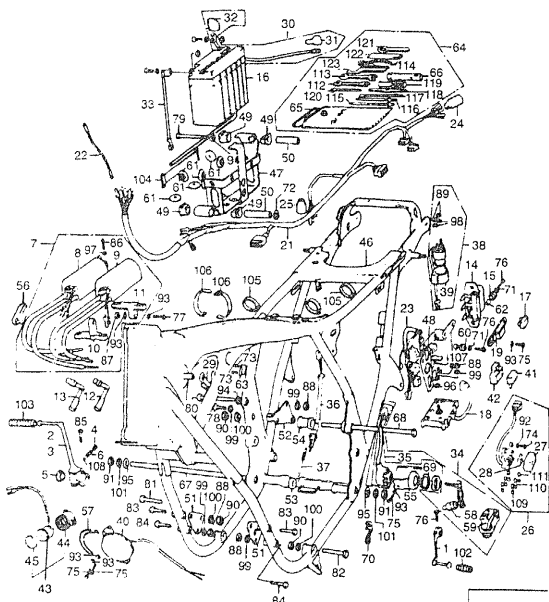
TITLE	PAGE	GRID
AIR CLEANER	78	E3
ALTERNATOR	24	B12
BOLT	48	C12
BRAKE MASTER FR	130	G6
CABLE	50	D1
CAMSHAFT	10	B5
CARBURETOR	44	C10
CLUTCH	16	B8
CRANKCASE	40	C8
CRANKCASE COVER	16	B8
CRANKSHAFT	10	B5
CYLINDER	2	B1
CYLINDER	132	G6
EXHAUST MUFFLER	90	E9
FENDER FR	62	D7
FRAME	118	F11
FUEL TANK	78	E3
HANDLEBAR	50	D1
HEAD	2	B1
HEADLIGHT	36	D4
KICK STARTER SPINDLE	30	C3
OIL FILTER	40	C8
OIL PUMP	24	B12
SHOCK ABSORBER FR	98	F1
SPEEDOMETER	56	D4
STEERING STEM	62	D7
STEP	90	E9
SWINGARM	98	F1
TACHOMETER	56	D4
TAILLIGHT K	106	F5
TAILLIGHT K1-76	112	F8
TRANSMISSION	30	C3
TURN SIGNAL K	106	F5
TURN SIGNAL K1-76	112	F8
WASHER (CRANKCASE)	48	C12
WHEEL FR	70	D11
WHEEL RR	70	D11
WIRE HARNESS	118	F11

www.ClassicCycles.org

CB550 ENGINE NO.; CB550E-1000001 TO SUBSEQUENT
CB550 FRAME NO.; CB550K-1000001 TO SUBSEQUENT
CB550K1 ENGINE NO.; CB55C-1029182 TO SUBSEQUENT
CB550K1 FRAME NO.; CB550K-1200001 TO SUBSEQUENT

CB550K76 ENGINE NO.; CB550E-1067334 TO SUBSEQUENT
CB550K76 FRAME NO.; CB550K-1230001 TO SUBSEQUENT

FRAME • WIRE HARNESS



"CAUTION OR WARNING LABELS MUST BE ORDERED SEPARATELY WHEN APPLICABLE"

F13374099

K = CB550
K1 = CB550K1
6 = CB550K76

Part No.	BLOCK NO. DESCRIPTION	F-9	K		QTY	FRAME SERIAL NUMBER FROM TO	REQ	PART NUMBER	HONDA CODE
			K	K1					
17	RECTIFIER ASSY., SILICON (STANLEY)			6	1			31700-124-003	0351346
	RECTIFIER ASSY., SILICON (SHINDENGEN)			6	1			31700-124-008	0692129
18	RECTIFIER ASSY.	K	K1	6	1			31700-323-015	0291633
	RECTIFIER ASSY.	K	K1	6	1			31700-333-008	0297341
19	STAY, DIODE			6	1			31706-341-900	0435131
20	SAFETY UNIT, STARTING	K	K1		1			31800-341-701	0314617
21	HARNES, WIRE	K	K1		1			32100-374-000	0362525
	HARNES, WIRE			6	1			32100-374-700	0434928
22	CABLE A, SUB			6	1			32101-385-000	0426304
23	HARNES, SUB WIRE	K	K1		1			32105-374-670	0362533
	HARNES, SUB WIRE			6	1			32105-374-700	0434936
24	COVER, CABLE HARNESS CONNECTOR ..	K	K1	6	1			32108-046-750	0258178
25	COVER, CABLE HARNESS CONNECTOR ..	K	K1	6	1			32108-323-300	0258186
26	BOX ASSY., FUSE	K	K1	6	1			32110-341-702	0476598
27	COVER, FUSE BOX	K	K1	6	1			32117-341-702	0314658
28	FUSE, GROMMET	K	K1	6	1			32118-341-702	0314666
29	CLIP, CABLE HARNESS	K	K1	6	1			32171-323-000	0254359
30	CABLE, STARTER BATTERY	K	K1	6	1			32401-323-000	0254367
31	COVER, STARTING MOTOR TERMINAL ..	K	K1	6	1			32411-230-000	0208652
	COVER, STARTING MOTOR TERMINAL ..	K	K1	6	1			32411-253-000	0177360
32	COVER, BATTERY TERMINAL	K	K1	6	1			32412-323-000	0254375
33	CABLE, BATTERY GROUND	K	K1	6	1			32601-323-000	0254383
34	SWITCH KIT, MAIN			6	1			35010-341-702	0688101
	KEY SET	K			1			35011-369-740	0382523
	SWITCH KIT, MAIN	K			1			35020-323-672	0291625
	SWITCH KIT, MAIN	K			1			35020-341-700	0314799
	SWITCH SET, COMBINATION	K			1			35020-341-701	0387951
	KEY SET	K	K1	6	1			35010-374-670	0387746
	SWITCH KIT, MAIN	K	K1	6	1			35010-374-701	0675303
35	SWITCH ASSY., COMBINATION (TOYO) ..	K			1			35100-323-003	0325464
	SWITCH ASSY., COMBINATION	K			1			35100-369-740	0447334

CONTENTS

TITLE	PAGE	GRID
AIR CLEANER	76	E2
ALTERNATOR	24	F12
BOLT	48	C12
BRAKE MASTER FH	132	G6
CABLE	56	D1
CAMSHAFT	10	B5
CARBURETOR	44	C10
CLUTCH	16	B8
CRANKCASE	48	B3
CRANKCASE COVER	16	B9
CRANKSHAFT	10	B5
CYLINDER	2	B1
CYLINDER	132	G6
EXHAUST MUFFLER	90	F4
FENDER FR	62	D7
FRAME	118	F11
FUEL TANK	78	F3
HANDLEBAR	56	D7
HEAD	2	B1
HEADLIGHT	56	D4
HICK STARTER SPINDLE	20	C2
OIL FILTER	40	F8
OIL PUMP	24	B10
SHOCK ABSORBER RH	95	F1
SPEEDOMETER	42	D7
STEERING STEM	106	F5
STEP	90	F9
SWINGARM	98	F1
TACHOMETER	56	D4
TAILLIGHT K	106	F5
TAILLIGHT K1-76	112	F6
TRANSMISSION	30	C3
TURN SIGNAL K	106	F5
TURN SIGNAL K1-76	112	F6
WASHER (CRANKCASE)	48	C10
WHEEL FR	76	D1
WHEEL RR	76	D1
WIRE HARNESS	118	F11

120 AMERICAN HONDA MOTOR CO. LTD. 1994

F12

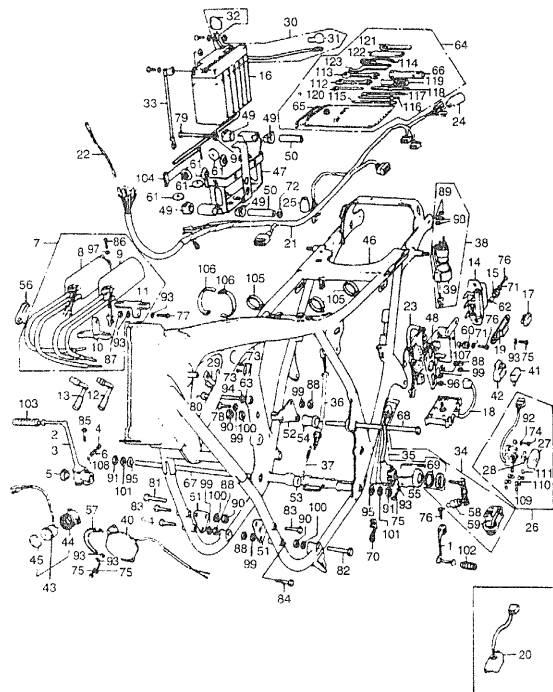
AMERICAN HONDA MOTOR CO. LTD. 1994 121

CB550 ENGINE NO.; CB550E-1000001 TO SUBSEQUENT
CB550 FRAME NO.; CB550K-1000001 TO SUBSEQUENT
CB550K1 ENGINE NO.; CB550E-1029182 TO SUBSEQUENT
CB550K1 FRAME NO.; CB550K-1200001 TO SUBSEQUENT

CB550K76 ENGINE NO.; CB550E-1067334 TO SUBSEQUENT
CB550K76 FRAME NO.; CB550K-1230001 TO SUBSEQUENT

www.ClassicCycles.org

FRAME • WIRE HARNESS



CAUTION OR WARNING LABELS MUST BE ORDERED SEPARATELY WHEN APPLICABLE

F 13374009

K = CB550
K1 = CB550K1
F = CB550K76

Ref. No.	BLOCK NO. DESCRIPTION	F-9	CB550			FRAME SERIAL NUMBER	QTY	PART NUMBER	HONDA CODE
			K	K1	6				
35	SWITCH ASSY., COMBINATION		K	K1	6	-----	1	35100-374-000	0387753
	SWITCH ASSY., COMBINATION (TOYO)		K	K1	6	-----	1	35100-374-007	0497032
36	SWITCH ASSY., RR. STOP		K	K1	6	-----	1	35350-KJ9-405	3780665
	SWITCH ASSY., STOP (TOYO)		K	K1	6	-----	1	35350-292-003	0143883
	SWITCH ASSY., STOP		K	K1	6	-----	1	35350-336-000	0268623
37	SPRING, STOP SWITCH		K	K1	6	-----	1	35357-011-000	0008458
38	SWITCH ASSY., STARTER MAGNETIC		K	K1	6	-----	1	35850-306-670	0191908
	SWITCH ASSY., STARTER MAGNETIC		K	K1	6	-----	1	35850-371-670	0406207
39	SUSPENSION, MAGNETIC SWITCH		K	K1	6	-----	1	35856-323-000	0254098
40	HORN ASSY. (MITSUBA)		K	K1	6	-----	1	38100-300-023	0201954
41	FLASHER, (142 12V)		K	K1	6	-----	1	38300-292-670	0146555
	RELAY ASSY., TURN SIGNAL		K	K1	6	-----	1	38301-KJ6-741	1596915
	RELAY COMP., TURN SIGNAL (MITSUBA)		K	K1	6	-----	1	38301-KJ6-742	1717953
	RELAY COMP., TURN SIGNAL (MITSUBA)		K	K1	6	-----	1	38301-KJ6-743	2957611
42	SUSPENSION, TURN SIGNAL RELAY		K	K1	6	-----	1	38306-107-670	0217604
43	Buzzer ASSY., TURN SIGNAL		K	K1	6	-----	1	38400-341-674	0314880
44	COVER, BUZZER		K	K1	3	-----	1	38402-341-671	0273615
45	PLATE, TURN SIGNAL BUZZER		K	K1	6	-----	1	38403-341-672	0273623
46	FRAME COMP.		K	K1	6	-----	1	50100-323-674B	0291666
	FRAME COMP. *NH1*				6	-----	1	50100-374-710ZA	0434951
	(BLACK)				6	-----	1	50325-323-040	0253930
47	BOX, BATTERY		K	K1	6	-----	1	50330-374-000	0362657
48	PLATE, ELECTRIC BASE		K	K1	6	-----	4	50331-323-000	0253955
49	RUBBER, BATTERY BOX		K	K1	6	-----	2	50332-323-000	0253963
50	COLLAR, BATTERY BOX		K	K1	6	-----	2	50351-323-010B	0253971
51	BRACKET, FR. ENGINE HANGER		K	K1	6	-----	1	50356-374-000	0362665
52	BRACKET, RR. ENGINE HANGER		K	---	1021685	-----	1	50356-374-010	0390864
	BRACKET, RR. ENGINE HANGER		K	---	1021686	-----	1	50356-374-010	0390864
	BRACKET, RR. ENGINE HANGER		K	---	1021686	-----	1	50356-374-010	0390864
53	COLLAR, R. ENGINE LOWER SIDER		K	K1	6	-----	1	50359-323-010	0253997
54	COLLAR, L. ENGINE UPPER		K	K1	6	-----	1	50359-323-010	0254003
55	BRACKET, MAIN SWITCH		K	K1	6	-----	1	50375-323-020	0254011

CONTENTS

TITLE	PAGE	GRID
AIR CLEANER	7H	E3
ALTERNATOR	24	B12
BOLT	48	C19
BRAKE MASTER FR	132	G6
CABLE	50	D*
CAMSHAFT	16	B5
CARBURETOR	64	C10
CLUTCH	16	B6
CRANKCASE	40	C6
CRANKCASE COVER	16	B9
CRANKSHAFT	10	B5
CYLINDER	2	B1
CYLINDER	132	G6
EXHAUST MUFFLER	90	E5
FENDER FR	62	D*
FRAME	118	H13
FUEL TANK	78	E3
HANDLEBAR	50	D1
HEAD	2	B1
HEADLIGHT	56	D4
KICK STARTER SPINDLE	30	C3
OIL FILTER	40	C8
OIL PUMP	24	B12
SHOCK ABSORBER FR	98	F1
SPEEDOMETER	56	D4
STEERING STEM	62	D7
STEP	90	E9
SWINGARM	98	F1
TACHOMETER	56	D4
TAILLIGHT K	106	F5
TAILLIGHT K1-76	112	F8
TRANSMISSION	30	C3
TURN SIGNAL K	106	F5
TURN SIGNAL K1-76	112	F8
WASHER (CRANKCASE)	48	C12
WHEEL FR	70	D11
WHEEL RR	70	D11
WIRE HARNESS	118	F11

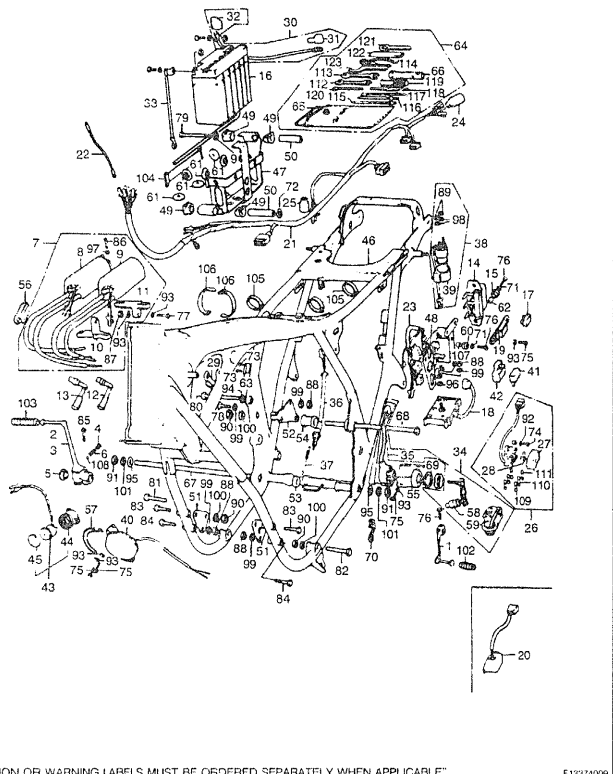
CB550 ENGINE NO.; CB550E-1000001 TO SUBSEQUENT
 CB550 FRAME NO.; CB550K-1000001 TO SUBSEQUENT
 CB550K1 ENGINE NO.; CB550E-1029182 TO SUBSEQUENT
 CB550-1 FRAME NO.; CB550K-1200001 TO SUBSEQUENT

CB550K76 ENGINE NO.; CB550E-1067334 TO SUBSEQUENT
 CB550K76 FRAME NO.; CB550K-1230001 TO SUBSEQUENT

AMERICAN HONDA MOTOR CO. LTD 1994

www.ClassicCycles.org

FRAME • WIRE HARNESS



CAUTION OR WARNING LABELS MUST BE ORDERED SEPARATELY WHEN APPLICABLE

F13374099

K = CB550
 K1 = CB550K1
 6 = CB550K76

Ref. No.	BLOCK NO. DESCRIPTION	F-9	CB550			FRAME SERIAL NUMBER		QTY	PART NUMBER	HONDA CODE
			K	K1	6	FROM	TO			
56	PROTECTOR, IGNITION COIL WIRE	...	K	K1	6	-----	-----	1	50400-323-000	1254029
57	CLAMP, TACHOMETER CABLE	K	K1	6	-----	-----	1	50462-323-000	0254037
58	CLAMP, TACHOMETER CABLE	K	K1	6	-----	-----	1	50462-323-010	0469080
58	LOCK COMP., HANDLEBAR	K	K1	6	-----	-----	1	35010-230-010	0136168
58	LOCK COMP., HANDLEBAR (TOYD)	K	K1	6	-----	-----	1	53600-230-000	0137844
59	LOCK ASSY., SEAT (HONDA LOCK)	K	K1	6	-----	-----	1	77230-107-711	0334649
59	LOCK ASSY., SEAT (TOYO)	K	K1	6	-----	-----	1	77230-347-003	0291450
60	RUBBER A, RR. FENDER	K	K1	6	-----	-----	2	80105-061-000	0186627
61	RUBBER, BATTERY BOX	K	K1	6	-----	-----	6	83618-323-000	0255810
62	COLLAR, NUMBER BRACKET SETTING	K	K1	6	-----	-----	2	84706-286-000	0166462
63	MARK, BATTERY CAUTION	K	K1	6	-----	-----	1	87506-374-670	0362822
64	TOOL SET	K	K1	6	-----	-----	1	89010-323-010	0313148
64	TOOL SET	K	K1	6	-----	-----	1	89010-390-000	0433268
65	BAG, TOOL	K	---	---	-----	1022272	1	89101-ME5-670	1669480
65	BAG, TOOL	K	K1	6	-----	-----	1	89101-ME5-670	1669480
65	BAG, TOOL	K	---	---	-----	1022272	1	89101-300-010	0192369
65	BAG, TOOL, 200MM	K	---	---	-----	1022272	1	99008-02000	0268185
65	BAG, TOOL, 200MM	K	K1	6	-----	-----	1	99008-02000	0268185
66	WRENCH, SPARK PLUG	K	K1	6	-----	-----	1	89216-323-000	0254094
67	BOLT, RR. ENGINE HANGER LOWER	K	K1	6	-----	-----	1	90107-323-000	0254136
68	BOLT, RR. ENGINE UPPER	K	K1	6	-----	-----	1	90108-323-000	0254144
69	WASHER, 25X33 (TOYO)	---	K1	6	-----	-----	1	90501-374-003	0387886
70	GUIDE, BREATHER	---	K1	6	-----	-----	1	90514-374-700	0435024
71	WASHER, 18MM	K	K1	6	-----	-----	4	90581-701-000	0173823
71	WASHER, 18MM	K	K1	6	-----	-----	4	90581-831-650	0166454
72	WASHER, 8MM	K	K1	6	-----	-----	1	90582-703-000	0254219
73	SCREW, RIVET, 1.5X5	K	K1	6	-----	-----	2	90841-001-600	0172866
74	BOLT, HEX., 5X14	K	K1	6	-----	-----	2	92000-05014-0A	0207381
75	BOLT, HEX., 6X12	K	K1	6	-----	-----	5	92000-06012	0054197
75	BOLT, HEX., 6X12	K	K1	6	-----	-----	5	92101-06012	2738821
75	BOLT, HEX., 6X12	K	K1	6	-----	-----	5	92101-06012-0A	3591500
76	BOLT, HEX., 6X20	K	K1	6	-----	-----	5	92000-06020	0054270
76	BOLT, HEX., 6X20	K	K1	6	-----	-----	5	92101-06020-0A	2528925

CONTENTS

TITLE	PAGE	GRID
AIR CLEANER	76 E3	
ALTERMOTOR	24 B12	
BOLT	48 C12	
BRAKE MASTER FR	152 G6	
CABLE	50 D1	
CARBURETOR	44 C16	
CLUTCH	16 B8	
CRANKCASE	41 C8	
CRANKCASE COVER	16 B5	
CRANKSHAFT	16 B6	
CYLINDER	2 B1	
CYLINDER	132 G6	
EXHAUST MUFFLER	92 E9	
FENDER, FR.	62 D7	
FRAME	118 F11	
FUEL TANK	76 E2	
HANDLEBAR	50 D1	
HEAD	2 B1	
HEADLIGHT	56 D4	
KICK STARTER SPINDLE	30 C3	
OIL FILTER	42 C8	
OIL PUMP	24 B12	
SHOCK ABSORBER, FR	98 F1	
SPEEDOMETER	56 D4	
STEERING STEM	62 D7	
STEP	90 E9	
SWINGARM	98 F1	
TACHOMETER	56 D4	
TAILLIGHT K	106 F5	
TAILLIGHT K-76	112 F2	
TRANSMISSION	30 C3	
TURN SIGNAL K	106 F5	
TURN SIGNAL K1-76	112 F2	
WASHER (CRANKCASE)	48 C12	
WHEEL, FR.	70 D11	
WHEEL, RR	70 D11	
WIRE HARNESS	118 F11	

www.ClassicCycles.org

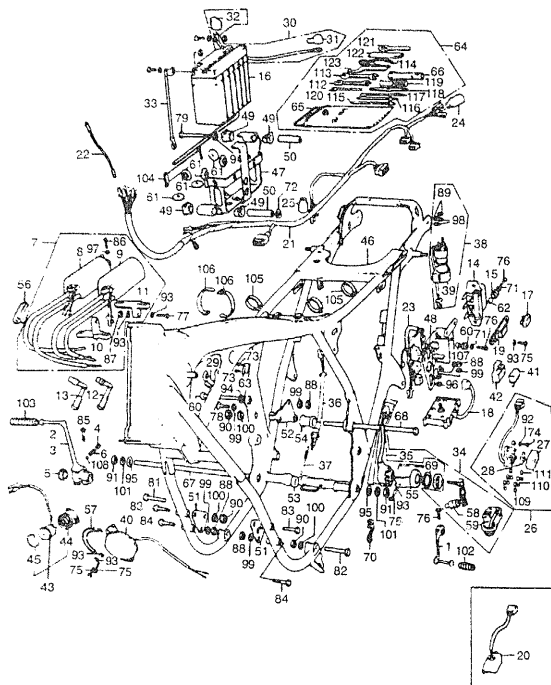
CB550 ENGINE NO.; CB550E-1000001 TO SUBSEQUENT
 CB550 FRAME NO.; CB550K-1000001 TO SUBSEQUENT
 CB550K1 ENGINE NO.; CB550E-1029182 TO SUBSEQUENT
 CB550K1 FRAME NO.; CB550K-1200001 TO SUBSEQUENT

CB550K76 ENGINE NO.; CB550E-1067334 TO SUBSEQUENT
 CB550K76 FRAME NO.; CB550K-1250001 TO SUBSEQUENT

GRID

G2

FRAME • WIRE HARNESS



CAUTION OR WARNING LABELS MUST BE ORDERED SEPARATELY WHEN APPLICABLE

F 13374009

K = CB550
K1 = CB550K1
6 = CB550K76

Ref. No.	BLOCK NO. DESCRIPTION	F-9	CB550		QTY	PART NUMBER	HONDA CODE
			K	6			
			FRAME SERIAL NUMBER		REQ		
			FROM	TO			
77	BOLT, HEX., 6X25		K	K1	6	92000-06025	0054320
	BOLT, HEX., 6X25		K	K1	6	92101-06025-0A	2206563
78	BOLT, HEX., 8X40		K	K1	6	92000-08040-0A	0192781
	BOLT, HEX., 8X40		K	K1	6	92101-08040-0A	3839321
79	BOLT, HEX., 8X65		K	K1	6	92000-08065-0A	0256834
80	BOLT, HEX., 8X100		K	K1	6	92000-08100-0A	0256859
	BOLT, HEX., 8X100		K	K1	6	92101-08100-0A	3391497
81	BOLT, HEX., 10X50		K	K1	6	92200-10050-0A	0193003
	BOLT, HEX., 10X80		K	K1	6	92200-10080-0A	0193011
83	BOLT, HEX., 8X50		K	K1	6	93000-08050-0A	0258244
84	BOLT, HEX., 8X55		K	K1	6	93000-08055-0A	0258251
85	BOLT, HEX., 8X32		K	K1	6	93200-08032-0A	0258020
86	SCREW, PAN, 5X20		K	K1	6	93500-05020-0A	0197731
87	NUT, HEX., 6MM		K	K1	6	90310-KA3-711	1553916
	NUT, HEX., 6MM		K	K1	6	94000-06000-0S	1391283
	NUT, HEX., 6MM		K	K1	6	94001-06000	0058016
	NUT, HEX., 6MM		K	K1	6	94001-06000-3S	0156067
	NUT, HEX., 6MM		K	K1	6	94001-06008-0S	2829414
	NUT, HEX., 6MM		K	K1	6	94001-06200-0S	2043255
	NUT, HEX., 6MM		K	K1	6	94030-06000	1642693
	NUT, FLANGE, 6MM		6	6	6	18362-720-000	0293084
	NUT, FLANGE, 6MM		6	6	6	94050-06000	0471623
88	NUT, HEX., 8MM		K	K1	6	94001-08000-0S	0167338
89	NUT, HEX., 6MM		K	K1	6	94002-06000-0S	0181032
90	NUT, HEX., 10MM		K	K1	6	94030-10000	0223204
91	NUT, HEX., 12MM		K	K1	6	94030-12000	0217505
92	WASHER, PLAIN, 5MM		K	K1	6	94101-05000	0059055
93	WASHER, PLAIN, 6MM		K	K1	6	94101-06000	0059071
	WASHER, PLAIN, 6MM		6	6	6	94101-06000	0059071
	WASHER, PLAIN, 6MM		K	K1	6	94101-06080	3136074
	WASHER, PLAIN, 6MM		6	6	6	94101-06080	3136074
	WASHER, PLAIN, 6MM		K	K1	6	94101-06800	0345900
	WASHER, PLAIN, 6MM		6	6	6	94101-06800	0345900

CONTENTS

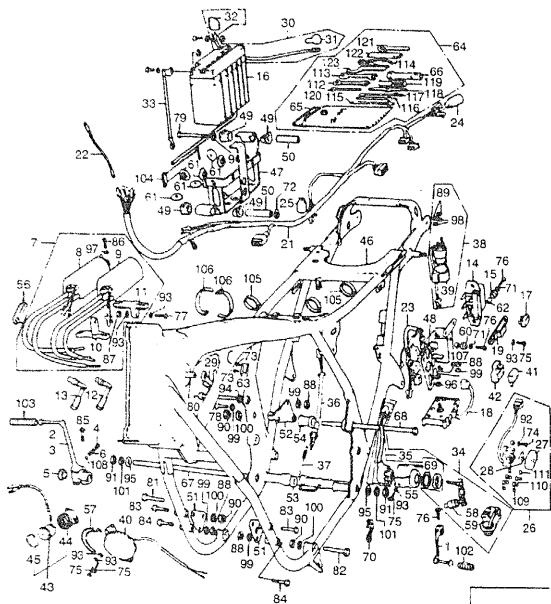
TITLE	PAGE GRID
AIR CLEANER	74 E1
ALTERNATOR	24 B12
BOLT	48 C12
BRAKE MASTER FR	132 C4
CABLE	50 E1
CAKSHAFT	10 B1
CARBURETOR	44 C10
CLUTCH	16 B9
CRANKCASE	49 C8
CRANKCASE COVER	14 B8
CRANKSHAFT	10 B5
CYLINDER	2 B1
CYLINDER	132 C5
EXHAUST MUFFLER	90 E9
FENDER FR	62 D7
FRAME	118 F11
FUEL TANK	76 E3
HANDLEBAR	50 D1
HEAD	2 B1
HEADLIGHT	56 D4
KICK STARTER SPINDLE	39 C3
OIL FILTER	40 C8
OIL PUMP	24 B12
SHOCK ABSORBER FR	68 D1
SPEEDOMETER	54 D4
STEERING STEM	62 F7
STEP	90 E9
SWINGARM	98 F1
TACHOMETER	56 D4
TAILLIGHT K	106 F7
TAILLIGHT K1-76	112 F7
TRANSMISSION	30 C3
TURN SIGNAL K	106 F5
TURN SIGNAL K1-76	112 F8
WASHER (CRANKCASE)	48 C12
WHEEL FR	70 D11
WHEEL FR	70 D11
WIRE HARNESS	118 F11

www.ClassicCycles.org

GRID

G3

FRAME • WIRE HARNESS



CAUTION OR WARNING LABELS MUST BE ORDERED SEPARATELY WHEN APPLICABLE

F1537402

Ref No.	BLOCK NO. DESCRIPTION	F-9	CB 650		FRAME SERIAL NUMBER		QTY	PART NUMBER	HONDA CODE
			K	C	K	T			
			1	6	1	6			
K = CB550 K1 = CB550K1 6 = CB550K76									
94	WASHER, PLAIN, 8MM		K	K1	6		2	94101-08000	0059097
95	WASHER, PLAIN, 12MM		K	K1			2	94101-12000	0059139
					6		1	94101-12000	0059139
96	WASHER, PLAIN, 8MM		K	K1	6		1	94102-08000	0199596
97	WASHER, SPRING, 5MM		K	K1	6		4	94111-05000	0058966
98	WASHER, SPRING, 6MM		K	K1	6		2	94111-06000	0058974
99	WASHER, SPRING, 8MM		K	K1	6		7	94111-08000	0058982
100	WASHER, SPRING, 8MM		K	K1	6		5	94111-10000	0059006
101	WASHER, SPRING, 12MM		K	K1	6		2	94111-12000	0059222
102	RUBBER, SHIFT PEDAL		K	K1	6		1	95011-40000	0255695
103	RUBBER, KICK STARTER		K			1022429	1	28311-329-000	0293159
				K1	6		1	28311-329-000	0293159
	RUBBER B, KICK STARTER		K			1022428	1	95011-52000	0255620
104	BAND, BATTERY		K	K1	6		1	50322-300-010	0191924
	BAND F, BATTERY		K	K1	6		1	95012-17000	0255646
	BAND F, BATTERY		K	K1	6		1	95012-17001	1303544
105	BAND A1, CABLE		K	K1	6		6	95014-61100	0255661
106	BAND A2, CABLE		K	K1	6		3	95014-61200	0255679
107	COLLAR A, 6.3MM		K	K1	6		2	95020-61630	0362947
108	BALL, STEEL, # 10 (5/16)		K	K1	6		1	96211-10000	0058933
109	FUSE A (5A)		K	K1	6		2	98200-10500	0039070
110	FUSE A (7A)		K	K1	6		2	98200-10700	0250662
111	FUSE A (15A)		K	K1	6		2	98200-11500	0216283
112	OPEN END WRENCH 10x12		K	K1	6		1	99000-10120	0187559
113	OPEN END WRENCH 14x17		K	K1	6		1	99001-14170	0187567
114	PLIERS, 135		K	K1	6		1	99002-13500	0069252
115	DRIVER 1, PLUS SCREW (NO.2)		K	K1	6		1	99003-10000	0052423
116	DRIVER 2, PLUS SCREW (NO.3)		K	K1	6		1	99003-20000	0052431
117	DRIVER 3, MINUS SCREW (NO.2)		K	K1	6		1	99003-30000	0052449
118	LEVER, TIRE		K	K1	6		1	99003-40000	0052456
119	GRIP		K	K1	6		1	99003-50000	0052464
120	BAR B, HANDLE		K	K1	6		1	99005-02000	0268219
121	HANDLE, EYE WRENCH, 120MM		F	K1	6		1	99005-12000	0270496

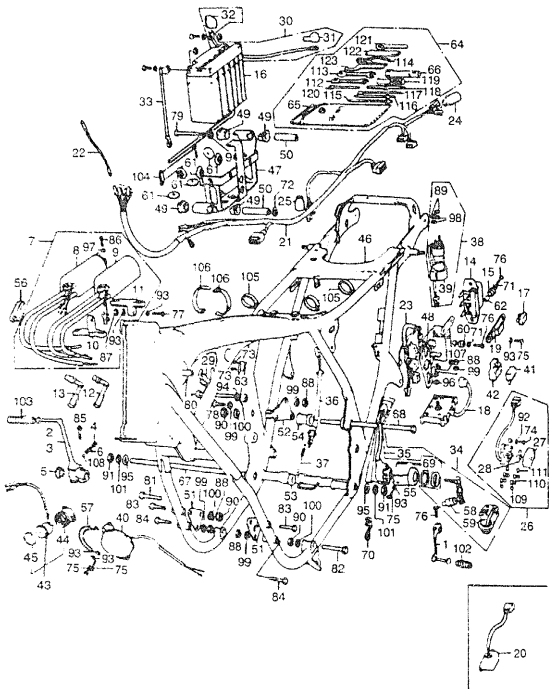
CONTENTS

TITLE	PAGE	GRID
AIR CLEANER	76	E3
ALTERNATOR	94	B12
BOLT	48	C12
BRAKE MASTER FH	132	G4
CABLE	16	B5
CAMSHAFT	44	C10
CARBURETOR	46	B8
CLUTCH	40	C6
CRANKCASE	16	B6
CRANKCASE COVER	10	B5
CRANKSHAFT	2	B1
CYLINDER	132	G4
CYLINDER	96	E9
EXHAUST MUFFLER	62	D7
FENDER FR	118	F11
FRAME	78	E3
FUEL TANK	50	D1
HANDLEBAR	2	B1
HEAD	56	D4
HEADLIGHT	36	C3
KICK STARTER SPINDLE	49	C6
OIL FILTER	24	B12
OIL PUMP	98	F1
SHOCK ABSORBER RR	56	D4
SPEEDOMETER	62	D7
STEERING STEM	96	E9
STEP	56	D4
SWINGARM	112	F6
TACHOMETER	106	F5
TAILLIGHT K	106	F5
TAILLIGHT K1-76	30	C3
TRANSMISSION	106	F5
TURN SIGNAL K	112	F6
TURN SIGNAL K1-76	48	C12
WASHER (CRANKCASE)	70	D11
WHEEL FR	70	D11
WHEEL RR	118	F11
WIRE HARNESS		

GRID

G4

FRAME • WIRE HARNESS



CAUTION: QR WARNING LABELS MUST BE ORDERED SEPARATELY WHEN APPLICABLE

F15374099

K = CB550
K1 = CB550K1
6 = CB550K76

Ref. No.	BLOCK NO. DESCRIPTION	F-9	CB550		FRAME SERIAL NUMBER FROM TO	QTY REQ	PART NUMBER	HONDA CODE
			K	K1				
122	WRENCH, EYE, 26MM		K	K1	6	1	99006-26000	0270489
123	OPEN END WRENCH, PIN, 45MM		K	K1	6	1	99007-45000	0268235

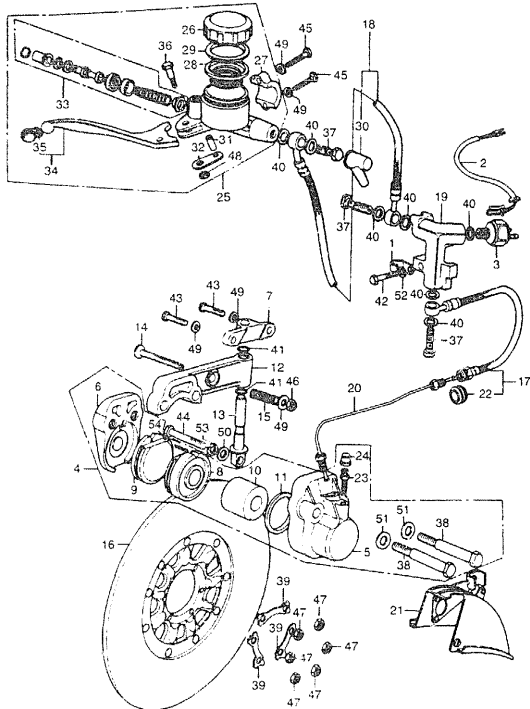
CONTENTS

TITLE	PAGE	GRID
AIR CLEANER	76	E3
ALTERNATOR	24	B12
BOLT	48	C12
BRAKE MASTER FR	132	G6
CABLE	50	D1
CAMSHAFT	10	B5
CARBURETOR	44	C10
CLUTCH	16	B6
CRANKCASE	40	C2
CRANKCASE COVER	16	B6
CRANKSHAFT	10	B5
CYLINDER	2	B1
CYLINDER	132	G6
EXHAUST MUFFLER	90	E9
FENDER FR	62	D7
FRAME	118	F11
FUEL TANK	76	E3
HANDLEBAR	50	D1
HEAD	2	B1
HEADLIGHT	56	D4
KICK STARTER SPINDLE	36	C3
OIL FILTER	40	C2
OIL PUMP	24	B12
SHOCK ABSORBER RR	98	F1
SPEEDOMETER	56	D4
STEERING STEM	62	D7
STEP	90	E9
SWINGARM	98	F1
TACHOMETER	56	D4
TAILLIGHT K	106	F5
TAILLIGHT K1-76	112	F8
TRANSMISSION	20	C3
TURN SIGNAL K	106	F5
TURN SIGNAL K1-76	112	F8
WASHER (CRANKCASE)	48	C12
WHEEL FR	70	D11
WHEEL FR	70	D11
WIRE HARNESS	118	F11

GRID

G5

FRONT BRAKE MASTER • CYLINDER



F13374010

K = CB550
K1 = CB550K1
G = CB550K76

Ref. No.	BLOCK NO. DESCRIPTION	F-10	CB550			FRAME SERIAL NUMBER	QTY	PART NUMBER	HONDA CODE
			K	K1	G				
1	CLAMP, CABLE		K	K1	6	-----	1	32111-323-000	0254961
2	SUB WIRE, FR. STOP SWITCH		K	K1	6	-----	1	35345-319-000	0219485
3	SWITCH, STOP (NAILS)		K	K1	6	-----	1	35350-300-016	0291930
4	CALIPER ASSY. (TOKIKO)		K	--	--	1018397	1	45100-323-043	0291351
5	CALIPER ASSY. (TOKIKO)		K	K1	--	101397	1	45100-323-053	0390674
6	CALIPER ASSY.		K	--	--	1018397	1	45100-390-003	0402792
7	CALIPER A (TOKIKO)		K	K1	6	-----	1	45101-323-013	0257956
8	CALIPER B (TOKIKO)		K	K1	6	-----	1	45102-323-003	0257964
9	JOINT, CALIPER HOLDER		K	K1	6	-----	1	45104-317-700	0269548
10	PAD COMP. A (TOKIKO) (SEE KIT P/N--END OF BLOCK)		K	--	--	1018397	1	45105-323-043	0291369
11	PAD COMP. A (ASAHI) (SEE KIT P/N--END OF BLOCK)		K	K1	--	1018397	1	45105-323-036	0369371
12	PAD COMP. A (TOKIKO) (SEE KIT P/N--END OF BLOCK)		K	K1	6	-----	1	45105-390-003	291-364
13	PAD COMP. A (ASAHI) (SEE KIT P/N--END OF BLOCK)		K	K1	6	-----	1	45105-390-006	0402800
14	PAD COMP. B (TOKIKO) (SEE KIT P/N--END OF BLOCK)		K	K1	--	1018397	1	45106-323-006	0256172
15	PAD COMP. B (ASAHI) (SEE KIT P/N--END OF BLOCK)		K	--	--	1018397	1	45106-323-006	0256172
16	PAD COMP. B (TOKIKO) (SEE KIT P/N--END OF BLOCK)		K	K1	6	-----	1	45106-390-003	2914372
17	PAD COMP. B (ASAHI) (SEE KIT P/N--END OF BLOCK)		K	K1	--	1018397	1	45106-390-006	0402818
18	PISTON COMP.		K	K1	6	-----	1	45107-323-020	0256198
19	SEAL, PISTON (TOKIKO)		K	K1	6	-----	1	45108-300-003	0194613
20	HOLDER, CALIPER		K	K1	6	-----	1	45115-323-010	0256230
21	HOLDER, CALIPER		--	--	6	-----	1	45115-390-003	0402826
22	PIN, CALIPER HOLDER		K	K1	6	-----	3	45116-323-020	0312835
23	PIN, CALIPER HOLDER		K	K1	6	-----	1	45116-367-690	3849767
24	BOLT, CALIPER ADJUSTING		K	K1	--	-----	1	45117-300-020	0194662

AMERICAN HONDA MOTOR CO. LTD. 1984 133

CONTENTS

TITLE	PAGE	GRID
AIR CLEANER	78	E3
ALTERNATOR	24	B12
ROCK	48	C12
BRAKE MASTER FR	132	G6
CABLE	50	D1
CRANKSHAFT	19	B5
CARBURETOR	44	C17
CLUTCH	16	U
CRANKCASE	49	C8
CRANKCASE COVER	16	B8
CRANKSHAFT	10	B5
CYLINDER	2	B1
CYLINDER	132	G6
EXHAUST MUFFLER	90	E9
FENDER FR	62	D7
FRAME	118	F11
FUEL TANK	78	E3
HANDLEBAR	50	D1
HEAD	2	B1
HEADLIGHT	56	D4
KICK STARTER SPINDLE	30	C3
OIL FILTER	40	C8
OIL PUMP	24	B12
SHOCK ABSORBER FR	98	F1
SPEEDOMETER	56	D4
STEERING STEM	62	D7
STEP	90	E9
SWINGARM	98	F1
TACHOMETER	56	D4
TAILLIGHT	106	E5
TAILLIGHT K1-76	112	F8
TRANSMISSION	30	C3
TURN SIGNAL K	106	F5
TURN SIGNAL K1-76	112	F8
WASHER (CRANKCASE)	48	C12
WHEEL FR	70	D11
WHEEL FR	70	D11
WIRE HARNESS	118	F11

GRID

36

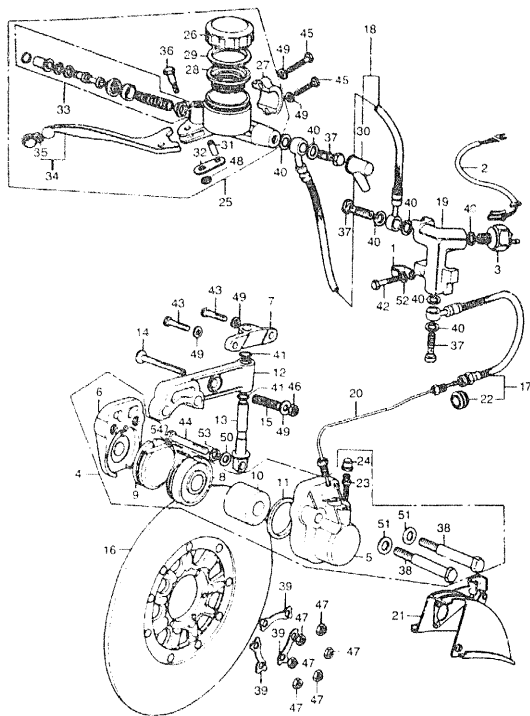
132 AMERICAN HONDA MOTOR CO. LTD. 1984

06

CB550 ENGINE NO.; CB550E-1000001 TO SUBSEQUENT
CB550 FRAME NO.; CB550K-1000001 TO SUBSEQUENT
CB550K1 ENGINE NO.; CB550E-1029182 TO SUBSEQUENT
CB550K1 FRAME NO.; CB550K-1200001 TO SUBSEQUENT

CB550K76 ENGINE NO.; CB550E-1067334 TO SUBSEQUENT
CB550K76 FRAME NO.; CB550K-1230001 TO SUBSEQUENT

FRONT BRAKE MASTER • CYLINDER



1-33/74101

K = CB550
K1 = CB550K1
6 = CB550K76

Ref No	BLOCK NO DESCRIPTION	F-10	CB550			FRAME SERIAL NUMBER	QTY	PART NUMBER	HONDA CODE
			K	K1	6				
14	BOLT, CALIPER ADJ.		K	K1	6		1	45117-34-700	0314948
15	SPRING, CALIPER ADJ.		K	K1	6		1	45119-300-020	0194670
16	DISK COMP., FR. BRAKE		K	K1	6		1	45120-323-020	0256248
17	DISK COMP., FR. BRAKE		K	K1	6		1	45120-374-700	0434944
17	HOSE A, FR. BRAKE		K			1221285	1	45125-300-020	0256263
	HOSE A, FR. BRAKE (NICHIRIN)		K	K1			1	45125-300-073	0414151
	HOSE A, FR. BRAKE (NICHIRIN)		K			1221285	1	45125-300-033	0414151
18	HOSE B, FR. BRAKE		K			1221285	1	45125-379-033	0416552
	HOSE B, FR. BRAKE (NICHIRIN)		K	K1			1	45126-300-030	0256255
	HOSE B, FR. BRAKE (NICHIRIN)		K			1221285	1	45126-300-030	0256255
19	JOINT, THREE WAY		K	K1	6		1	45126-300-003	04*6016
20	PIPE, FR. BRAKE		K	K1	6		1	45126-300-003	0416016
21	COVER COMP., DISK		K	K1	6	1221285	1	45127-323-000	0256271
22	GROMMET, BRAKE HOSE		K	K1	6		1	45128-323-020	0256289
23	VALVE, BLEEDER (TOKICO)		K	K1	6		1	45140-323-670	0312843
24	CAP, BLEEDER SCREW (TOKICO)		K	K1	6		1	45146-300-000	0194373
25	CYLINDER ASSY., MASTER		K	K1			1	45224-579-013	0256297
	CYLINDER ASSY., MASTER		K				1	45225-579-013	0256305
26	CAP, OIL CUP		K	K1	6		1	43513-MJ6-006	1764760
	CAP, OIL CUP		K	K1	6		1	43513-461-771	0946731
	CAP, OIL CUP		K	K1	6		1	45513-341-771	0356261
27	HOLDER, MASTER CYLINDER		K	K1	6		1	45517-300-003	0194464
28	DIAPHRAGM		K	K1	6		1	45520-300-000	0194480
29	PLATE, DIAPHRAGM		K	K1	6		1	45521-MJ6-006	1764968
	PLATE, DIAPHRAGM		K	K1	6		1	45521-300-010	0200733
30	BUSH, MASTER CYLINDER		K	K1	6		1	45522-300-010	0201095
31	BUSH, R. HANDLEBAR CONTROL LEVER		K	K1	6		1	45526-341-000	0273755
32	PLATE, CONTROL LEVER BUSH SETTING		K	K1	6		1	45527-300-000	0238782
33	CYLINDER SET, MASTER		K				1	45530-377-305	0398313
34	LEVER COMP., R. HANDLEBAR		K	K1			1	53170-300-000	0194506
	LEVER COMP., R. HANDLEBAR		K	K1			1	53170-333-000	0302125

CONTENTS

TITLE	PAGE	GRID
48H CLEANER	76	F5
AIR FILTER (A)	24	B12
BOLT	48	F12
BRAKE MASTER FR	132	G4
CABLE	42	D1
CAMSHAFT	10	B5
CARBURETOR	44	C10
CLUTCH	14	B8
CRANKCASE	40	C8
CRANKCASE COVER	14	B8
CRANKSHAFT	10	B5
CYRINDER	3	D11
CYRINDER	132	G4
EXHAUST MUFFLER	98	E9
FENDER FR	42	D7
FRAME	118	F11
FUEL TANK	78	F5
HANDLEBAR	54	D7
HEAD	2	B1
HEADLIGHT	44	D4
HEADLIGHT	98	C9
KICK STARTER SPRING	40	C8
OIL FILTER	23	B12
OIL PUMP	48	F7
SHOCK ABSORBER FR	44	D4
SPEEDOMETER	44	D4
STEERING STEM	42	D7
STEP	98	E9
SWINGARM	44	D4
TACHOMETER	44	D4
TAILLIGHT K	106	F5
TAILLIGHT K1 76	112	F8
TRANSMISSION	30	C2
TURN SIGNAL K	106	F5
TURN SIGNAL K1 76	112	F8
WASHER (FRANKCASE)	48	F12
WHEEL FR	70	D11
WHEEL FR	70	D11
WIRE HARNESS	118	F11

1-34 AMERICAN HONDA MOTOR CO., LTD. 1984

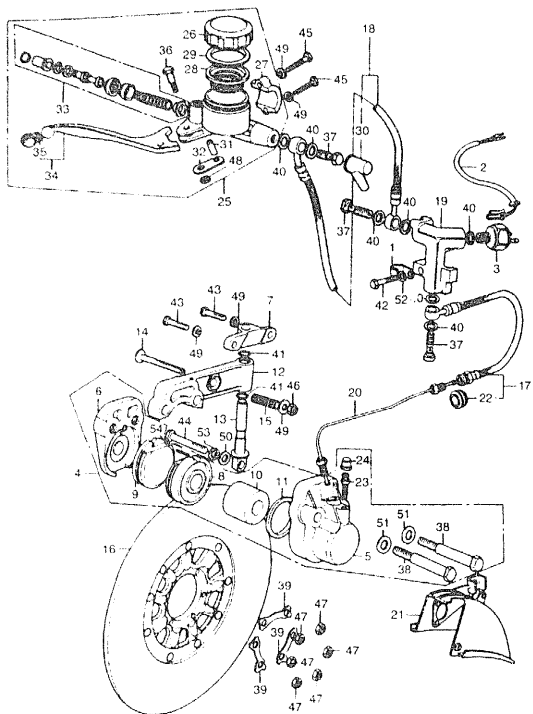
CB550*76 ENGINE NO.; CB550E-1067334 TO SUBSEQUENT
CB550K1 ENGINE NO.; CB550E-1079182 TO SUBSEQUENT
CB550K1 FRAME NO.; CB550K-1230001 TO SUBSEQUENT

AMERICAN HONDA MOTOR CO., LTD. 1984 1-35

GRID

G7

FRONT BRAKE MASTER • CYLINDER



F 1307-0110

K = CB550
K1 = CB550K1
6 = CB550K76

Part No	BLOCK NO DESCRIPTION	F-10	CB550		QTY	FRAME SERIAL NUMBER FROM TO	QTY	PART NUMBER	HONDA CODE
			K	K1					
34	CONTROL LEVER, R. HANDLEBAR (TOYO)		K	K1	6	-----	1	52170-369-003	0365312
	CONTROL LEVER, R. HANDLEBAR		K	K1	6	-----	1	53175-369-003	0360222
35	CAP, CONTROL LEVER		K	---	---	1022172	1	53180-286-000	0178335
	CAP, CONTROL LEVER		K	---	---	1022172	1	95010-16000	0300947
	CAP A, LEVER		K	---	---	1022172	1	95010-16001	4225710
36	BOLT, HANDLEBAR CONTROL LEVER PIVOT		K	K1	6	-----	1	90114-300-000	0194514
37	BOLT, OIL		K	K1	6	-----	3	90145-300-000	0194522
	BOLT, OIL		K	K1	6	-----	3	90145-300-010	1883305
38	BOLT, CALIPER SETTING		K	K1	6	-----	2	90165-323-000	0254110
39	WASHER, TONGUED, 8MM		K	K1	---	-----	3	90522-300-010	0194712
	WASHER AB, TONGUED		K	K1	---	-----	3	94108-18000	0301739
40	WASHER, OIL BOLT		X	K1	6	-----	7	90545-300-000	0189902
41	O-RING, 10X1.7		X	K1	---	-----	2	91259-300-000	0194720
	O-RING, 9.5X1.7		---	---	6	-----	2	91259-333-000	0297440
42	BOLT, HEX., 6X28		K	K1	6	-----	1	92000-06028	0054346
	BOLT, HEX., 6X28		K	K1	6	-----	1	92101-06028-0A	3459427
43	BOLT, HEX., 6X25		K	K1	6	-----	2	92200-06025	0256867
	BOLT, HEX., 6X25		K	K1	6	-----	2	92200-06025-0A	4476891
	BOLT, HEX., 6X25		K	K1	6	-----	2	92201-06025-0A	2909414
44	BOLT, HEX., 8X35		K	K1	6	-----	1	92200-08035-0A	0256875
45	BOLT-WASHER, 6X25		K	K1	6	-----	2	93482-06025	0723775
	BOLT-WASHER, 6X25		K	K1	6	-----	2	93482-06025-00	0486241
46	NUT, HEX., 6MM		K	K1	6	-----	1	90310-KA3-711	1553916
	NUT, HEX., 6MM		K	K1	6	-----	1	94000-06000-0S	1391283
	NUT, HEX., 6MM		K	K1	6	-----	1	94001-06000	0058016
	NUT, HEX., 6MM		K	K1	6	-----	1	94001-06000-0S	0156067
	NUT, HEX., 6MM		K	K1	6	-----	1	94001-06008-0S	2829414
	NUT, HEX., 6MM		K	K1	6	-----	1	94001-06200-0S	2043255
	NUT, HEX., 6MM		K	K1	6	-----	1	94030-06000	1642693
47	NUT, HEX., 8MM		K	K1	---	-----	6	94001-08000-0S	0167338
	NUT, HEX., 8MM		---	---	6	-----	6	90309-357-000	0322164

AMERICAN HONDA MOTOR CO., LTD. 1964

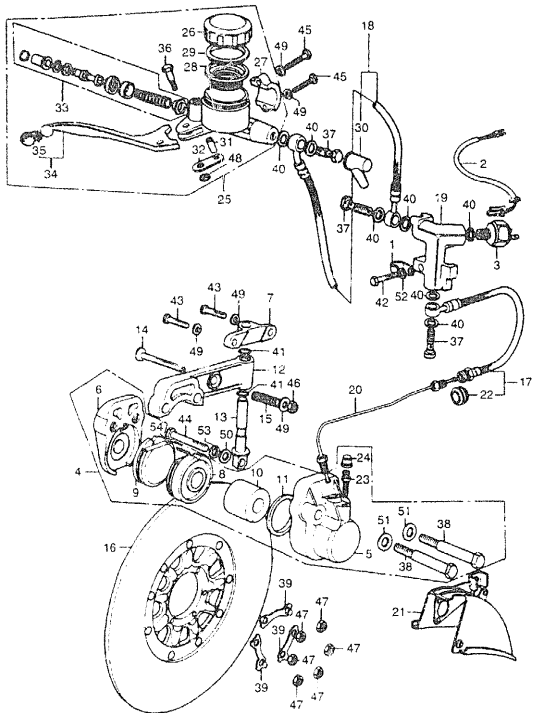
CONTENTS

TITLE	PAGE QHD
ALTERNATOR	26 E.3
ALTERNATOR	26 B.12
BECKT	48 C.12
BRAKE MASTER CYL	25 C.4
CABLE	56 E.1
CAMSHAFT	10 B.5
CAMBER TOR	44 C.10
CLUTCH	74 B.8
CRANKCASE	40 C.6
CRANKCASE COVER	35 B.6
CRANKSHAFT	10 B.5
CYLINDER	2 E.1
CYLINDER	12 C.6
EXHAUST MUFFLER	90 E.9
FENDER FR	62 D.7
FRAME	318 E.11
FUEL TANK	78 E.3
HANDLEBAR	56 D.1
HEAD	2 B.1
HEADLIGHT	94 C.5
KICK STARTER SPRING	30 C.4
OIL FILTER	26 B.12
OIL PUMP	30 C.6
SHOCK ABSORBER FR	98 E.1
SPEEDOMETER	56 D.4
STEERING STEM	60 E.9
SWINGARM	98 E.1
TACHOMETER	56 D.4
TAILLIGHT R	106 E.5
TAILLIGHT R 76	52 E.8
TRANSMISSION	30 C.5
TURB SIGNAL K 76	106 E.5
WASHER (CRANKCASE)	44 C.12
WHEEL FR	20 D.11
WHEEL FR	20 D.11
WIRE HARNESS	118 E.11

GRID

G8

FRONT BRAKE MASTER • CYLINDER



F13374010

K = CB550
K1 = CB550K1
6 = CB550K76

Part No.	BLOCK NO. DESCRIPTION	F-10	C B S 5 0		K 1	K 6	7	FRAME SERIAL NUMBER FROM TO	Q T Y	R E O	PART NUMBER	HONDA CODE
			K	6								
48	NUT, HEX., 6MM		K	K1	6				1		94002-06000-05	0181032
49	WASHER, PLAIN, 6MM		K	K1	6				3		94101-06000	0059071
	WASHER, PLAIN, 6MM		K	K1	6				3		94101-06080	3136074
	WASHER, PLAIN, 6MM		K	K1	6				3		94101-06800	0345900
50	WASHER, PLAIN, 8MM		K	K1	6				1		94101-08000	0059097
51	WASHER, PLAIN, 10MM		K	K1	6				2		94102-10000	0172551
52	WASHER, SPRING, 6MM		K	K1	6				1		94111-06000	0058974
53	WASHER, SPRING, 8MM		K	K1	6				1		94111-08000	0058982
54	PIN, COTTER 1.6X22		K	K1	6				1		94201-16220	0278838
NT	PAD, SET BRAKE		K	K1	6				1		06455-390-405	4357232
	BRAKE PAD KIT		K	K1	6				1		451A0-390-670	3529336

CONTENTS

TITLE	PAGE	GRID
AIR CLEANER	78	E3
ALTERNATOR	24	B12
BOLT	48	C12
BRAKE MASTER FR	132	G6
CABLE	50	D1
CAMSHAFT	10	B5
CARBURETOR	44	C10
CLUTCH	16	B8
CRANKCASE	40	C8
CRANKCASE COVER	16	B8
CRANKSHAFT	10	B5
CYLINDER	2	B1
CYLINDER	132	G6
EXHAUST MUFFLER	90	E9
FENDER FR	62	D7
FRAME	118	F11
FUEL TANK	78	E3
HANDLEBAR	50	D1
HEAD	2	B1
HEADLIGHT	56	D4
KICK STARTER SPINDLE	30	C3
OIL FILTER	40	C8
OIL PUMP	24	B12
SHOCK ABSORBER, F.R.	98	F1
SPEEDOMETER	56	D4
STEERING STEM	62	D7
STEP	90	E9
SWINGARM	98	F1
TACHOMETER	56	D4
TAILLIGHT K	106	F5
TAILLIGHT K1-76	112	F8
TRANSMISSION	30	C3
TURN SIGNAL K	106	F5
TURN SIGNAL K1-76	112	F8
WASHER (CRANKCASE)	48	C12
WHEEL FR	70	D11
WHEEL RR	70	D11
WIRE HARNESS	118	F11

www.ClassicCycles.org

GRID G9

Description Index

Description	Grid	Page	Ref. No.	Description	Grid	Page	Ref. No.
(A)							
BATTERY ASSY	F11	119	16				
BEAM UNIT, SEALED	D4	57	11				
BEARING A, CONNECTING ROD	B5	11	8				
BEARING A, CRANKSHAFT	B5	11	10				
BEARING B, CONNECTING ROD	B5	11	8				
BEARING B, CRANKSHAFT	B5	11	10				
BEARING C, CONNECTING ROD	B5	11	8				
BEARING C, CRANKSHAFT	B5	11	10				
BEARING COMP., OIL PUMP	G4	33	43				
BEARING D, CONNECTING ROD	B5	11	8				
BEARING D, CRANKSHAFT	B6	13	10				
BEARING BALL, 1600S	C5	35	75				
BEARING BALL, 2000S	C5	35	73				
BEARING BALL, 6300U	E2	77	58				
BEARING NEEDLE, 20MM	C3	31	23				
BEARING NEEDLE, 20MM	C5	35	76				
BEARING NEEDLE, 25X29X17	C5	35	74				
BEARING RADIAL BALL, 620S	C7	39	95				
BEARING RADIAL BALL, 63-22	C5	35	71				
BEARING RADIAL BALL, 63004U	E2	77	59				
BEARING RADIAL BALL, 6305	C5	35	71				
BEARING RADIAL BALL, 6305U	E2	77	60				
BEARING RADIAL BALL, 6322	C5	35	71				
BEARING, SPECIAL BALL, 520S	C5	35	72				
RODY SET, VALVE	E3	79	4				
BOLT A, CYLINDER STUD	C8	41	19				
BOLT B, CYLINDER STUD	C8	41	20				
BOLT W/ WASHER, 6X25	G8	137	45				
BOLT BRAKE PEDAL ADJUSTING	E10	93	38				
BOLT CABLE ADJ.	D2	53	23				
BOLT CALIPER ADJ.	G7	135	14				
BOLT CALIPER ADJUSTING	G6	133	4				
BOLT CALIPER SETTING	D9	67	44				
BOLT CAP, 6X80	F3	73	53				
BOLT CHAIN ADJ.	F2	101	36				
BOLT CONNECTING ROD	B5	11	6				
BOLT DRAIN PLUG, 1/2MM	C8	41	24				
BOLT FLANG*	D9	67	47				
BOLT FLANG*, 10X35	D9	67	47				
BOLT FLANGE, 6X100	C12	49	8				
BOLT FLANGE, 6X105	C12	49	9				
BOLT FLANGE, 6X22	B7	15	40				
BOLT FLANGE, 6X32	B4	9	57				
BOLT FLANGE, 6X38	B9	9	33				
BOLT FLANGE, 6X40	C12	49	4				
BOLT FLANGE, 6X49	C12	49	5				
BOLT FLANGE, 6X50	C12	49	6				
BOLT FLANGE, 6X53	B10	21	48				
BOLT FLANGE, 6X55	C2	29	43				
BOLT FLANGE, 6X65	C12	49	7				
BOLT FLANGE, 6X80	B4	9	58				
BOLT FLANGE, 7X54	D2	53	33				
BOLT FLANGE, 8X100	C12	49	10				
BOLT FLANGE, 8X145	C12	49	11				

Description Index

Description	Grid	Page	Ref. No.	Description	Grid	Page	Ref. No.
BOLT FLANGE, 8X36	D3	55	35	BOLT HEX, 6X100	C12	49	2
BOLT FR. FENDER SETTING	F6	109	36	BOLT HEX, 6X128	E10	93	80
BOLT FR. FORK	D8	65	37	BOLT HEX, 6X28	E10	93	42
BOLT FR. TURN SIGNAL MOUNT	F6	109	35	BOLT HEX, 6X32	G8	137	85
BOLT FR. TORN SIGNAL MOUNT	F9	115	33	BOLT HEX, 6X35	G8	137	44
BOLT HANDLEBAR CONTROL LEVER PIVOT	D2	53	28	BOLT HEX, 6X40	D2	53	35
BOLT HANDLEBAR LEVER PIVOT	G8	137	36	BOLT HEX, 6X50	E10	93	43
BOLT HEX KNOCK, 7X12	D2	53	28	BOLT HEX, 6X55	F3	103	52
BOLT HEX, 10X25	B6	13	31	BOLT HEX, 6X65	G3	127	78
BOLT HEX, 10X32	F6	109	39	BOLT HEX, 6X75	G3	127	84
BOLT HEX, 10X35	D6	61	32	BOLT HEX, 6X80	G2	53	33
BOLT HEX, 10X36	F3	103	54	BOLT INSTRUMENT SETTING 6MM	D4	57	18
BOLT HEX, 10X36	D9	67	47	BOLT KICK ARM	F11	119	4
BOLT HEX, 10X40	E11	95	44	BOLT OIL	G8	137	37
BOLT HEX, 10X50	E11	95	45	BOLT OIL FILTER CENTER	C8	41	15
BOLT HEX, 10X80	G3	127	81	BOLT R/L BRAKE STOPPER ARM	F2	101	39
BOLT HEX, 5X14	G2	125	74	BOLT R/L ENGINE HANGER LOWER	G2	125	67
BOLT HEX, 5X20	F6	109	38	BOLT R/L ENGINE UPPER	G2	125	68
BOLT HEX, 5X25	F9	115	37	BOLT R/L SWINGARM PIVOT	F2	101	39
BOLT HEX, 6X10	D9	67	43	BOLT SOCKET, 8MM	D8	65	36
BOLT HEX, 6X12	C1	27	26	BOLT STUD, 10X48MM	E2	77	43
BOLT HEX, 6X16	C6	37	84	BOLT STUD, 6X32	B2	5	26
BOLT HEX, 6X16	E7	87	79	BOLT STUD, 6X40	B2	5	27
BOLT HEX, 6X14	F3	103	48	BOLT STUD, 6X50	D9	67	48
BOLT HEX, 6X16	G2	125	75	BOLT TAILLIGHT SETTING	F6	109	36
BOLT HEX, 6X16	C1	27	30	BOLT THROTTLE GRIP ADJUSTING	D2	53	21
BOLT HEX, 6X20	C6	37	86	BOLT UBS, 10X32	C1	27	24
BOLT HEX, 6X22	D9	67	44	BOLT 8X102	E2	77	42
BOLT HEX, 6X25	E7	87	81	BOOT, FR. SHOCK	D7	63	21
BOLT HEX, 6X28	G3	127	77	BOOT, MASTER CYLINDER	G7	135	30
BOLT HEX, 6X28	B8	137	43	BOX ASSY, FUSE	F12	121	26
BOLT HEX, 6X28	E11	95	46	BOX ASSY, SPEEDOMETER GEAR	E2	77	40
BOLT HEX, 6X32	F3	103	51	BOX, BATTERY	G1	123	47
BOLT HEX, 6X35	F6	109	39	BRACKET A, L MUFFLER	E9	91	10
BOLT HEX, 6X40	B3	7	43	BRACKET B, IGNITION COIL	F11	119	11
BOLT HEX, 6X40	E7	87	82	BRACKET B, L MUFFLER	E9	91	9
BOLT HEX, 6X45	G3	127	77	BRACKET B, PILLION STEP	E12	97	69
BOLT HEX, 6X50	B3	7	45	BRACKET B, R MUFFLER	E9	91	5
BOLT HEX, 6X50	F8	137	42	BRACKET TR ENGINE HANGER	G1	123	51
BOLT HEX, 6X32	C6	37	88	BRACKET IGNITION COIL	F11	119	10
BOLT HEX, 6X35	F9	115	38	BRACKET, L PILLION FOOTPEG	E10	93	35
BOLT HEX, 6X40	B3	7	43	BRACKET, MAIN SWITCH	G1	123	55
BOLT HEX, 6X45	E7	87	82	BRACKET, NUMBER PLATE	F6	109	33
BOLT HEX, 6X50	B3	7	44	BRACKET R, PILLION FOOTPEG	E10	93	34
BOLT HEX, 6X50	B3	7	45	BRACKET, RR ENGINE HANGER	G1	123	52
				BRAKE PAD KIT	G9	139	N1

Description Index

Description	Grid	Page	Ref. No.	Description	Grid	Page	Ref. No.
SWINGARM ASSY. RR	F1	99	10	TURN SIGNAL ASSY. R FR	F5	107	1
SWINGARM COMP. RR	F1	99	10		F5	107	11
SWITCH ASSY. CLUTCH LEVER	D1	51	7		F8	113	7
SWITCH ASSY. COMBINATION	F12	121	35		F8	113	1
SWITCH ASSY. LIGHTING KILL	D1	51	6	TURN SIGNAL ASSY. R RR	F5	107	17
SWITCH ASSY. OIL PRESSURE	B12	25	21		F5	107	11
SWITCH ASSY. RR STOP	G1	123	36	TURN SIGNAL R RR	F5	107	11
SWITCH ASSY. STARTER KILL	D1	51	6		F8	113	9
SWITCH ASSY. STARTER MAGNETIC	G1	123	36				
SWITCH ASSY. STOP	G1	123	36				
SWITCH ASSY. TURN SIGNAL	D1	51	5	(V)			
SWITCH ASSY. TURN SIGNAL HORN	D1	51	5	VALVE ASSY. FUEL	E3	79	2
SWITCH KIT MAIN	F12	121	34		E3	79	3
SWITCH SET COMBINATION	F12	121	34	VALVE SET FLOAT	C10	45	2
SWITCH STOP	G6	133	3	VALVE BLEEDER	G7	135	23
(T)				VALVE CHECK	C8	41	16
TACHOMETER ASSY	D4	57	19	VALVE EX	B6	13	23
TAILLIGHT UNIT	F5	107	19	VALVE IN	B6	13	22
	F8	113	17	VALVE OIL CONTROL	B1	3	6
TANK ASSY FUEL	E4	81	33	VALVE RELIEF	B12	25	8
TENSIONER CAM CHAIN	B6	13	18	VALVE THROTTLE	C10	45	21
THREAD COMP. STEERING HEAD UPPER	D8	65	29	(W)			
TIRE FR	E1	75	37	WASHER A HANDLE HOLDER SETTING	F2	101	44
TIRE RR	D11	71	16	WASHER A THRUST 25MM	C5	35	61
TIRE RR WHEEL	D11	71	16	WASHER A 65MM	B6	13	34
TOOL SET	G2	125	64	WASHER AB TONGUED	G8	137	39
TOP SET	C10	45	5	WASHER B THRUST 25MM	C5	35	67
TRAY TOOL	E5	83	64	WASHER B THRUST 25MM	D12	73	20
TUBE ASSY BREATHER	E3	79	26	WASHER B THRUST 25MM	E10	93	41
TUBE ASSY DRAIN	E3	79	31	WASHER BATTERY BREATHER TUBE GUIDE	D12	73	20
TUBE ASSY COVER FLOW	C10	45	22	WASHER BRAKE ANCHOR PIN	C8	41	27
TUBE SET BREATHER	B2	5	22	WASHER DRAIN PLUG 12MM	E3	79	23
	B2	5	21	WASHER ELEMENT SETTING	E12	97	72
*JRB SET PROTECT	C10	45	15	WASHER FOOTPEG	D6	61	29
TUBE BREATHER	B2	5	21	WASHER HE/OLIGHT CASE	C5	35	68
TUBE FUEL 5.2X280	E8	89	93	WASHER LOCK 25MM	G8	137	40
TUBE MUFFLER CONNECTING	E9	91	12	WASHER OIL BOLT	E10	93	34
TUBE TIRE	D11	71	17	WASHER PELLION STEP	D6	61	40
	E1	75	38	WASHER PLAIN 10MM	D10	69	56
TUBE 12X420	B2	5	21		E11	95	54
TUBE 3.5X130	C11	47	32	WASHER PLAIN 12MM	F4	105	61
TUBE 5.3X170	E8	89	92	WASHER PLAIN 3MM	G9	139	51
TUBE 5.3X180	E8	89	92	WASHER PLAIN 5MM	B10	21	43
TUBE 5.2X260	E8	89	93		E3	127	92
TUBE 5.3X280	E8	89	93	WASHER PLAIN 6MM	B4	9	54
TUBE 5.2X300	E8	89	93		B10	21	44
TURN SIGNAL ASSY L FR	F5	107	17		C1	27	39
	F5	107	9		C2	29	40
	F8	113	7				
TURN SIGNAL ASSY L RR	F5	107	11				
	F8	113	15				

Description Index

Description	Grid	Page	Ref. No.	Description	Grid	Page	Ref. No.
WASHER PLAIN 6MM	D6	61	38	WASHER THRUST 11MM	B2	5	29
	D9	67	54	WASHER THRUST 14MM	B2	5	34
	E7	87	89		C12	49	3
	E7	87	77	WASHER THRUST 20MM	C5	35	66
	E11	95	52		C5	35	60
	F3	103	58	WASHER THRUST 22MM	C5	35	64
	F7	111	46	WASHER THRUST 25MM	B9	19	29
	F10	117	44		C5	35	69
	G3	127	93	WASHER THRUST 5MM	B2	5	31
WASHER PLAIN 8MM	G9	139	49	WASHER THRUST 6.5MM	B2	5	33
	D2	53	32	WASHER THRUST 7MM	B2	5	30
	D6	61	39	WASHER TONGUED 10MM	E2	77	47
	D9	67	55	WASHER TONGUED 6MM	C1	27	25
	E11	95	53	WASHER TONGUED 9MM	G8	137	39
	F4	105	60	WASHER 10MM	B9	19	31
	F4	105	59	WASHER 15MM	C5	35	63
	F7	111	47	WASHER 18.5X34	E2	77	46
	F10	117	45	WASHER 18MM	C5	35	62
	G4	129	96		E7	87	78
	G4	129	94		F3	103	46
	G9	139	50		G2	125	71
WASHER RR SWINGARM PIVOT BOLT	F2	101	45	WASHER 20MM	F6	109	37
WASHER SEALING 6MM	B6	13	33		F9	115	36
WASHER SPECIAL	B9	19	25	WASHER 25X33	G2	125	69
WASHER SPECIAL 8MM	D8	65	41	WASHER 6.5X18	D6	61	31
WASHER SPRING 12MM	F10	117	46	WASHER 6X17	B2	5	32
	G4	129	101	WASHER 6X20	E6	85	76
WASHER SPRING 3MM	C11	47	30		F2	101	42
WASHER SPRING 5MM	C11	47	31	WASHER 6X9	F2	101	43
	D3	55	40	WASHER 7X12	J2	53	31
	D6	61	41	WASHER 8MM	G2	125	72
	D10	69	57	WRENCH EYE 26MM	G5	131	122
	G4	129	97	WRENCH SPARK PLUG	G2	125	66
WASHER SPRING 6MM	C2	29	41				
	C5	35	59				
	D6	61	42				
	E8	89	90				
	E11	95	55				
	G4	129	98				
	G9	139	52				
WASHER SPRING 8MM	D6	61	43				
	D6	61	44				
	D10	69	58				
	E11	95	57				
	E11	95	56				
	F4	105	62				
	F7	111	48				
	G4	129	99				
	G4	129	100				
	G9	139	53				
WASHER STEERING HEAD DUST SEAL	D8	65	27				
WASHER STEERING STEM	D8	65	39				
WASHER TANK COLLAR LOCKING	E7	87	77				
WASHER THRUST	C5	35	65				